

- High-Performance Static CMOS Technology
- Includes the T320C2xLP Core CPU
  - Object Compatible With the TMS320C2xx
  - Source Code Compatible With TMS320C25
  - Upwardly Compatible With TMS320C5x
  - 132-Pin Plastic Quad Flat Package (PQ Suffix)
  - 50-ns Instruction Cycle Time
- Industrial and Automotive Temperature Available
- Memory
  - 544 Words × 16 Bits of On-Chip Data/Program Dual-Access RAM
  - 16K Words × 16 Bits of On-Chip Program Flash EEPROM
  - 224K Words × 16 Bits of Total Memory Address Reach (64K Data, 64K Program and 64K I/O, and 32K Global Memory Space)
- Event-Manager Module
  - 12 Compare/Pulse-Width Modulation (PWM) Channels
  - Three 16-Bit General-Purpose Timers With Six Modes, Including Continuous Up/Down Counting
  - Three 16-Bit Full-Compare Units With Deadband
  - Three 16-Bit Simple-Compare Units
  - Four Capture Units (Two With Quadrature Encoder-Pulse Interface Capability)
- Dual 10-Bit Analog-to-Digital Conversion Module
- 28 Individually Programmable, Multiplexed I/O Pins
- Phase-Locked-Loop (PLL)-Based Clock Module
- Watchdog Timer Module (With Real-Time Interrupt)
- Serial Communications Interface (SCI) Module
- Serial Peripheral Interface (SPI) Module
- Six External Interrupts (Power Drive Protect, Reset, NMI, and Three Maskable Interrupts)
- Four Power-Down Modes for Low-Power Operation
- Scan-Based Emulation
- Development Tools Available:
  - Texas Instruments (TI) ANSI C Compiler, Assembler/Linker, and C-Source Debugger
  - Scan-Based Self-Emulation (XDS510™)
  - Third-Party Digital Motor Control and Fuzzy-Logic Development Support

## description

The TMS320F240 (F240) device is a member of a family of DSP controllers based on the TMS320C2xx generation of 16-bit fixed-point digital signal processors (DSPs). This family is optimized for digital motor/motion control applications. The DSP controllers combine the enhanced TMS320 architectural design of the C2xLP core CPU for low-cost, high-performance processing capabilities and several advanced peripherals optimized for motor/motion control applications. These peripherals include the event manager module, which provides general-purpose timers and compare registers to generate up to 12 PWM outputs, and a dual10-bit analog-to-digital converter (ADC), which can perform two simultaneous conversions within 6.1  $\mu$ s. See the functional block diagram.



Please be aware that an important notice concerning availability, standard warranty, and use in critical applications of Texas Instruments semiconductor products and disclaimers thereto appears at the end of this data sheet.

XDS510 is a trademark of Texas Instruments.  
Other trademarks are the property of their respective owners.

PRODUCTION DATA information is current as of publication date. Products conform to specifications per the terms of Texas Instruments standard warranty. Production processing does not necessarily include testing of all parameters.



Copyright © 2002, Texas Instruments Incorporated

# TMS320F240 DSP CONTROLLER

SPRS042E – OCTOBER 1996 – REVISED NOVEMBER 2002

---

## Table of Contents

|   |    |   |     |
|---|----|---|-----|
| Description .....   | 1  | Peripherals .....   | 38  |
| PQ Package (Top View) .....                                 | 4  | External Memory Interface .....   | 38  |
| Terminal Functions .....                                    | 5  | Event-Manager (EV) Module .....   | 39  |
| Functional Block Diagram .....                              | 11 | Analog-to-Digital Converter (ADC) Module .....  | 42  |
| Architectural Overview .....                                | 12 | Serial Peripheral Interface (SPI) Module .....  | 44  |
| System-Level Functions .....                                | 12 | Serial Communications Interface (SCI) Module .....  | 46  |
| Device Memory Map .....                                     | 12 | Watchdog (WD) and Real-Time<br>Interrupt (RTI) Module .....                               | 48  |
| Peripheral Memory Map .....                                 | 14 | Scan-Based Emulation .....  | 50  |
| Digital I/O and Shared Pin Functions .....                  | 15 | TMS320F240 Instruction Set .....  | 50  |
| Digital I/O Control Registers .....                         | 17 | Development Support .....   | 57  |
| Device Reset and Interrupts .....                           | 17 | Device and Development-Support Tool Nomenclature .....                                    | 58  |
| Clock Generation .....                                      | 26 | Documentation Support .....   | 59  |
| Low-Power Modes .....                                       | 28 | Absolute Maximum Ratings .....  | 60  |
| Functional Block Diagram of the<br>TMS320F240 DSP CPU ..... | 29 | Recommended Operating Conditions .....  | 60  |
| F240 DSP Core CPU .....                                     | 32 | Electrical Characteristics Over Recommended<br>Operating Free-Air Temperature Range ..... | 61  |
| Internal Memory .....                                       | 36 | Register File Compilation .....   | 96  |
|   |    | Mechanical Data .....   | 103 |



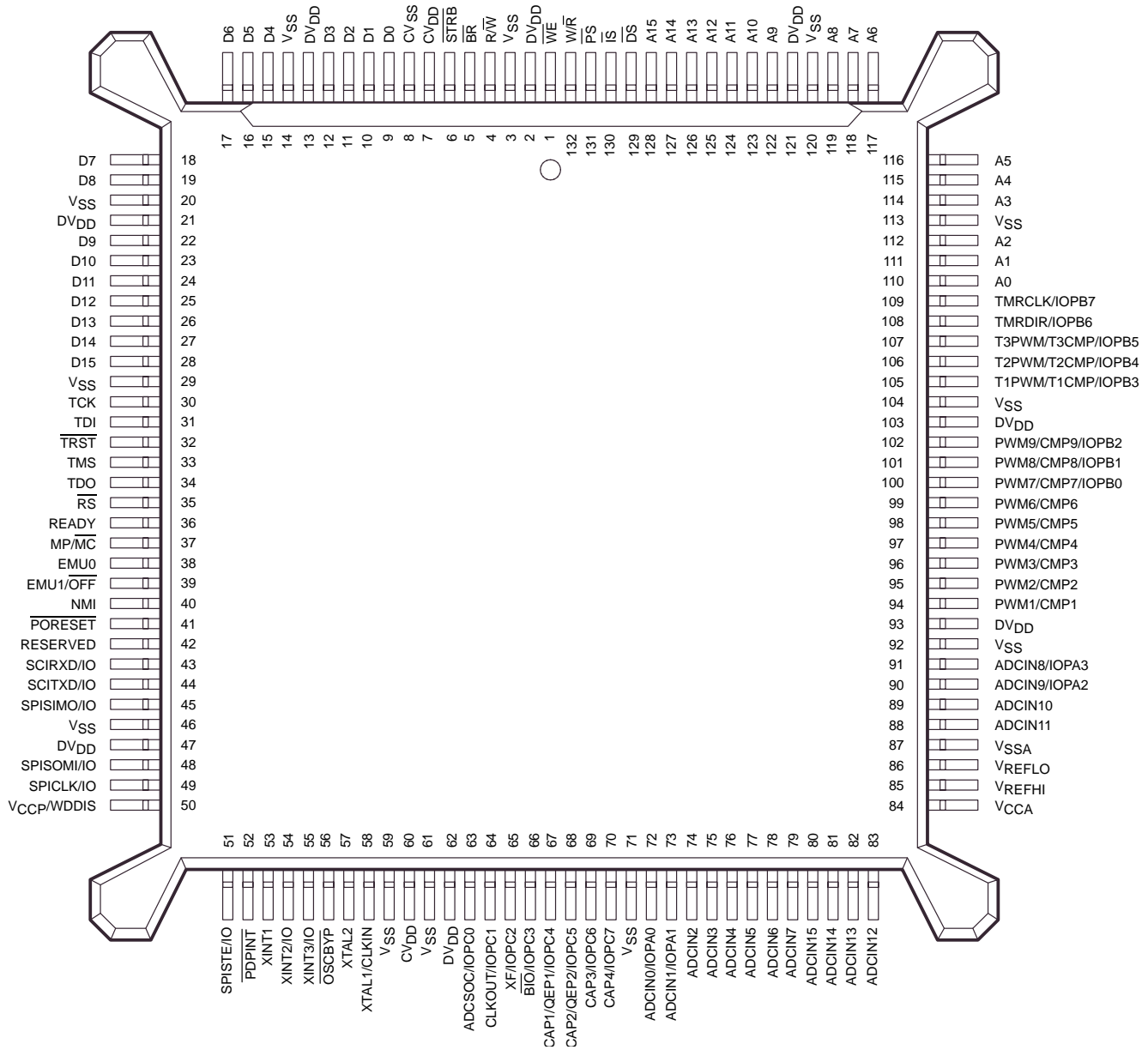
**REVISION HISTORY**

| REVISION | DATE          | PRODUCT STATUS  | HIGHLIGHTS   |
|----------|---------------|-----------------|--|
| E        | November 2002 | Production Data | <p>Removed TMS320C240 as it is an obsolete device.</p> <p>Updated descriptions of the following pins in the Terminal Functions table:</p> <ul style="list-style-type: none"> <li>– PWM1/CMP1–PWM6/CMP6</li> <li>– <u>OSCBYP</u></li> <li>– <u>TRST</u></li> </ul> <p>Updated the following figures:</p> <ul style="list-style-type: none"> <li>– Figure 3, Shared Pin Configuration</li> <li>– Figure 6, System Module Interrupt Structure</li> <li>– Figure 12, Analog-to-Digital Converter Module</li> <li>– Figure 16, TMS320 Device Nomenclature</li> <li>– Figure 20, Recommended Crystal/Clock Connection</li> </ul> <p>Added the following figures:</p> <ul style="list-style-type: none"> <li>– Figure 31, Case With Crystal</li> <li>– Figure 32, Case With External Oscillator</li> </ul> <p>Updated the following tables:</p> <ul style="list-style-type: none"> <li>– Table 15, Development Support Tools</li> <li>– Table 16, TMS320F240-Specific Development Tools</li> <li>– Table 20, Register File Compilation [ADCTRL1 and ADCTRL2]</li> </ul> <p>Updated the following sections:</p> <ul style="list-style-type: none"> <li>– Low-Power Modes</li> <li>– Flash EEPROM</li> <li>– Capture Unit</li> <li>– Analog-to-Digital Converter (ADC) Module [Digital Value equation]</li> <li>– Development Support</li> <li>– External Reference Crystal With PLL-Circuit-Enabled Clock Option</li> <li>– 10-Bit Dual Analog-to-Digital Converter (ADC)</li> </ul> |

# TMS320F240 DSP CONTROLLER

SPRS042E – OCTOBER 1996 – REVISED NOVEMBER 2002

## PQ PACKAGE (TOP VIEW)



**Terminal Functions**

| TERMINAL<br>NAME                               | NO. | TYPE† | DESCRIPTION   |
|--|-----|-------|---|
| <b>EXTERNAL INTERFACE DATA/ADDRESS SIGNALS</b> |     |       |   |
| A0 (LSB)                                       | 110 | O/Z   | Parallel address bus A0 [least significant bit (LSB)] through A15 [most significant bit (MSB)]. A15–A0 are multiplexed to address external data/program memory or I/O. A15–A0 are placed in high-impedance state when EMU1/OFF is active low and hold their previous states in power-down modes.  |
| A1   | 111 |       |   |
| A2   | 112 |       |   |
| A3   | 114 |       |   |
| A4   | 115 |       |   |
| A5   | 116 |       |   |
| A6   | 117 |       |   |
| A7   | 118 |       |   |
| A8   | 119 |       |   |
| A9   | 122 |       |   |
| A10  | 123 |       |   |
| A11  | 124 |       |   |
| A12  | 125 |       |   |
| A13  | 126 |       |   |
| A14  | 127 |       |   |
| A15 (MSB)                                      | 128 |       |   |
| D0 (LSB)                                       | 9   | I/O/Z | Parallel data bus D0 (LSB) through D15 (MSB). D15–D0 are multiplexed to transfer data between the TMS320F240 and external data/program memory and I/O space (devices). D15–D0 are placed in the high-impedance state when not outputting, when in power-down mode, when reset ( $\overline{RS}$ ) is asserted, or when EMU1/OFF is active low.                                      |
| D1   | 10  |       |   |
| D2   | 11  |       |   |
| D3   | 12  |       |   |
| D4   | 15  |       |   |
| D5   | 16  |       |   |
| D6   | 17  |       |   |
| D7   | 18  |       |   |
| D8   | 19  |       |   |
| D9   | 22  |       |   |
| D10  | 23  |       |   |
| D11  | 24  |       |   |
| D12  | 25  |       |   |
| D13  | 26  |       |   |
| D14  | 27  |       |   |
| D15 (MSB)                                      | 28  |       |   |
| <b>EXTERNAL INTERFACE CONTROL SIGNALS</b>      |     |       |   |
| $\overline{DS}$                                | 129 | O/Z   | Data, program, and I/O space select signals. $\overline{DS}$ , $\overline{PS}$ , and $\overline{IS}$ are always high unless low-level asserted for communication to a particular external space. They are placed in the high-impedance state during reset, power down, and when EMU1/OFF is active low.   |
| $\overline{PS}$                                | 131 |       |   |
| $\overline{IS}$                                | 130 |       |   |
| READY  | 36  | I     | Data ready. READY indicates that an external device is prepared for the bus transaction to be completed. If the device is not ready (READY is low), the processor waits one cycle and checks READY again.   |
| $\overline{R/W}$                               | 4   | O/Z   | Read/write signal. $\overline{R/W}$ indicates transfer direction during communication to an external device. It is normally in read mode (high), unless low level is asserted for performing a write operation. It is placed in the high-impedance state during reset, power down, and when EMU1/OFF is active low.   |
| $\overline{STRB}$                              | 6   | O/Z   | Strobe. $\overline{STRB}$ is always high unless asserted low to indicate an external bus cycle. It is placed in the high-impedance state during reset, power down, and when EMU1/OFF is active low.   |
| $\overline{WE}$                                | 1   | O/Z   | Write enable. The falling edge of $\overline{WE}$ indicates that the device is driving the external data bus (D15–D0). Data can be latched by an external device on the rising edge of $\overline{WE}$ . $\overline{WE}$ is active on all external program, data, and I/O writes. $\overline{WE}$ goes in the high-impedance state following reset and when EMU1/OFF is active low. |
| $\overline{W/R}$                               | 132 | O/Z   | Write/read. $\overline{W/R}$ is an inverted form of $\overline{R/W}$ and can connect directly to the output enable of external devices. $\overline{W/R}$ is placed in the high-impedance state following reset and when EMU1/OFF is active low.   |

† I = input, O = output, Z = high impedance

# TMS320F240 DSP CONTROLLER

SPRS042E – OCTOBER 1996 – REVISED NOVEMBER 2002

## Terminal Functions (Continued)

| TERMINAL NAME   | NO. | TYPE† | DESCRIPTION   |
|---|-----|-------|---|
| <b>EXTERNAL INTERFACE CONTROL SIGNALS (CONTINUED)</b> |     |       |   |
| $\overline{BR}$                                       | 5   | O/Z   | Bus request. $\overline{BR}$ is asserted during access of external global data memory space. $\overline{BR}$ can be used to extend the data memory address space by up to 32K words. $\overline{BR}$ goes in the high-impedance state during reset, power down, and when EMU1/OFF is active low.  |
| V <sub>CCP</sub> /WDDIS                               | 50  | I     | Flash-programming voltage supply. If V <sub>CCP</sub> = 5 V, then WRITE/ERASE can be made to the ENTIRE on-chip flash memory block—that is, for programming the flash. If V <sub>CCP</sub> = 0 V, then WRITE/ERASE of the flash memory is not allowed, thereby protecting the entire memory block from being overwritten. V <sub>CCP</sub> /WDDIS also functions as a hardware watchdog disable. The watchdog timer is disabled when V <sub>CCP</sub> /WDDIS = 5 V and bit 6 in WDCR is set to 1. |
| <b>ADC INPUTS (UNSHARED)</b>                          |     |       |   |
| ADCIN2  | 74  | I     | Analog inputs to the first ADC  |
| ADCIN3  | 75  | I     |   |
| ADCIN4  | 76  | I     |   |
| ADCIN5  | 77  | I     |   |
| ADCIN6  | 78  | I     |   |
| ADCIN7  | 79  | I     |   |
| ADCIN10   | 89  | I     | Analog inputs to the second ADC   |
| ADCIN11   | 88  | I     |   |
| ADCIN12   | 83  | I     |   |
| ADCIN13   | 82  | I     |   |
| ADCIN14   | 81  | I     |   |
| ADCIN15   | 80  | I     |   |
| <b>BIT I/O AND SHARED FUNCTIONS PINS</b>              |     |       |   |
| ADCIN0/IOPA0  | 72  | I/O   | Bidirectional digital I/O.<br>Analog input to the first ADC.<br>ADCIN0/IOPA0 is configured as a digital input by all device resets.   |
| ADCIN1/IOPA1  | 73  | I/O   | Bidirectional digital I/O.<br>Analog input to the first ADC.<br>ADCIN1/IOPA1 is configured as a digital input by all device resets.   |
| ADCIN9/IOPA2  | 90  | I/O   | Bidirectional digital I/O.<br>Analog input to the second ADC.<br>ADCIN9/IOPA2 is configured as a digital input by all device resets.  |
| ADCIN8/IOPA3  | 91  | I/O   | Bidirectional digital I/O.<br>Analog input to the second ADC.<br>ADCIN8/IOPA3 is configured as a digital input by all device resets.  |
| PWM7/CMP7/IOPB0                                       | 100 | I/O/Z | Bidirectional digital I/O. Simple compare/PWM 1 output. The state of PWM7/CMP7/IOPB0 is determined by the simple compare/PWM and the simple action control register (SACTR). It goes to the high-impedance state when unmasked PDPINT goes active low. PWM7/CMP7/IOPB0 is configured as a digital input by all device resets.   |
| PWM8/CMP8/IOPB1                                       | 101 | I/O/Z | Bidirectional digital I/O. Simple compare/PWM 2 output. The state of PWM8/CMP8/IOPB1 is determined by the simple compare/PWM and the SACTR. It goes to the high-impedance state when unmasked PDPINT goes active low. PWM8/CMP8/IOPB1 is configured as a digital input by all device resets.  |
| PWM9/CMP9/IOPB2                                       | 102 | I/O/Z | Bidirectional digital I/O. Simple compare/PWM 3 output. The state of PWM9/CMP9/IOPB2 is determined by the simple compare/PWM and SACTR. It goes to the high-impedance state when unmasked PDPINT goes active low. PWM9/CMP9/IOPB2 is configured as a digital input by all device resets.  |

† I = input, O = output, Z = high impedance



**Terminal Functions (Continued)**

| TERMINAL NAME   | NO. | TYPE† | DESCRIPTION  |
|---|-----|-------|--|
| <b>BIT I/O AND SHARED FUNCTIONS PINS (CONTINUED)</b>          |     |       |  |
| T1PWM/T1CMP/IOPB3   | 105 | I/O/Z | Bidirectional digital I/O. Timer 1 compare output. T1PWM/T1CMP/IOPB3 goes to the high-impedance state when unmasked $\overline{\text{PDPINT}}$ goes active low. This pin is configured as a digital input by all device resets.  |
| T2PWM/T2CMP/IOPB4   | 106 | I/O/Z | Bidirectional digital I/O. Timer 2 compare output. T2PWM/T2CMP/IOPB4 goes to the high-impedance state when unmasked $\overline{\text{PDPINT}}$ goes active low. This pin is configured as a digital input by all device resets.  |
| T3PWM/T3CMP/IOPB5   | 107 | I/O/Z | Bidirectional digital I/O. Timer 3 compare output. T3PWM/T3CMP/IOPB5 goes to the high-impedance state when unmasked $\overline{\text{PDPINT}}$ goes active low. This pin is configured as a digital input by all device resets.  |
| TMRDIR/IOPB6  | 108 | I/O   | Bidirectional digital I/O. Direction signal for the timers. Up-counting direction if TMRDIR/IOPB6 is low, down-counting direction if this pin is high. This pin is configured as a digital input by all device resets.   |
| TMRCLK/IOPB7  | 109 | I/O   | Bidirectional digital I/O. External clock input for general-purpose timers. This pin is configured as a digital input by all device resets.  |
| ADCSOC/IOPC0  | 63  | I/O   | Bidirectional digital I/O. External start of conversion input for ADC. This pin is configured as a digital input by all device resets.   |
| CAP1/QEP1/IOPC4   | 67  | I/O   | Bidirectional digital I/O. Capture 1 or QEP 1 input. This pin is configured as a digital input by all device resets.   |
| CAP2/QEP2/IOPC5   | 68  | I/O   | Bidirectional digital I/O. Capture 2 or QEP 2 input. This pin is configured as a digital input by all device resets.   |
| CAP3/IOPC6  | 69  | I/O   | Bidirectional digital I/O. Capture 3 input. This pin is configured as a digital input by all device resets.  |
| CAP4/IOPC7  | 70  | I/O   | Bidirectional digital I/O. Capture 4 input. This pin is configured as a digital input by all device resets.  |
| XF/IOPC2  | 65  | I/O   | Bidirectional digital I/O. External flag output (latched software-programmable signal). XF is used for signaling other processors in multiprocessing configurations or as a general-purpose output pin. This pin is configured as an external flag output by all device resets.                                    |
| $\overline{\text{BIO}}$ /IOPC3                                | 66  | I/O   | Bidirectional digital I/O. Branch control input. $\overline{\text{BIO}}$ is polled by the BIOZ instruction. If $\overline{\text{BIO}}$ is low, the CPU executes a branch. If $\overline{\text{BIO}}$ is not used, it should be pulled high. This pin is configured as a branch-control input by all device resets. |
| CLKOUT/IOPC1  | 64  | I/O   | Bidirectional digital I/O. Clock output. Clock output is selected by the CLKSRC bits in the SYSCR register. This pin is configured as a DSP clock output by a power-on reset.  |
| <b>SERIAL COMMUNICATIONS INTERFACE (SCI) AND BIT I/O PINS</b> |     |       |  |
| SCITXD/IO   | 44  | I/O   | SCI asynchronous serial port transmit data, or general-purpose bidirectional I/O. This pin is configured as a digital input by all device resets.  |
| SCIRXD/IO   | 43  | I/O   | SCI asynchronous serial port receive data, or general-purpose bidirectional I/O. This pin is configured as a digital input by all device resets.   |

† I = input, O = output, Z = high impedance

# TMS320F240 DSP CONTROLLER

SPRS042E – OCTOBER 1996 – REVISED NOVEMBER 2002

## Terminal Functions (Continued)

| TERMINAL NAME   | NO. | TYPE† | DESCRIPTION  |
|---|-----|-------|--|
| <b>SERIAL PERIPHERAL INTERFACE (SPI) AND BIT I/O PINS</b> |     |       |  |
| SPISIMO/I/O   | 45  | I/O   | SPI slave in, master out, or general-purpose bidirectional I/O. This pin is configured as a digital input by all device resets.  |
| SPISOMI/I/O   | 48  | I/O   | SPI slave out, master in, or general-purpose bidirectional I/O. This pin is configured as a digital input by all device resets.  |
| SPICLK/I/O  | 49  | I/O   | SPI clock, or general-purpose bidirectional I/O. This pin is configured as a digital input by all device resets.   |
| SPISTE/I/O  | 51  | I/O   | SPI slave transmit enable (optional), or general-purpose bidirectional I/O. This pin is configured as a digital input by all device resets.  |
| <b>COMPARE SIGNALS</b>                                    |     |       |  |
| PWM1/CMP1   | 94  | O/Z   | Compare or PWM outputs. The state of these pins is determined by the compare/PWM and the full action control register (ACTR). CMP1–CMP6 go to the high-impedance state when unmasked $\overline{\text{PDPINT}}$ goes active low. After power up and $\overline{\text{PORESET}}$ is high, the PWM/CMP pins are high-impedance once the internal clock is stable (see Figure 31 and Figure 32).                                    |
| PWM2/CMP2   | 95  |       |  |
| PWM3/CMP3   | 96  |       |  |
| PWM4/CMP4   | 97  |       |  |
| PWM5/CMP5   | 98  |       |  |
| PWM6/CMP6   | 99  |       |  |
| <b>INTERRUPT AND MISCELLANEOUS SIGNALS</b>                |     |       |  |
| $\overline{\text{RS}}$                                    | 35  | I/O   | Reset input. $\overline{\text{RS}}$ causes the TMS320F240 to terminate execution and sets PC = 0. When $\overline{\text{RS}}$ is brought to a high level, execution begins at location zero of program memory. $\overline{\text{RS}}$ affects (or sets to zero) various registers and status bits.   |
| $\overline{\text{MP/MC}}$                                 | 37  | I     | $\overline{\text{MP/MC}}$ (microprocessor/microcomputer) select. If $\overline{\text{MP/MC}}$ is low, internal program memory is selected. If it is high, external program memory is selected.   |
| NMI   | 40  | I     | Nonmaskable interrupt. When NMI is activated, the device is interrupted regardless of the state of the INTM bit of the status register. NMI has programmable polarity.   |
| $\overline{\text{PORESET}}$                               | 41  | I     | Power-on reset. $\overline{\text{PORESET}}$ causes the TMS320F240 to terminate execution and sets PC = 0. When $\overline{\text{PORESET}}$ is brought to a high level, execution begins at location zero of program memory. $\overline{\text{PORESET}}$ affects (or sets to zero) the same registers and status bits as $\overline{\text{RS}}$ . In addition, $\overline{\text{PORESET}}$ initializes the PLL control registers. |
| XINT1   | 53  | I     | External user interrupt no. 1  |
| XINT2/I/O   | 54  | I/O   | External user interrupt no. 2. General-purpose bidirectional I/O. This pin is configured as a digital input by all device resets.  |
| XINT3/I/O   | 55  | I/O   | External user interrupt no. 3. General-purpose bidirectional I/O. This pin is configured as a digital input by all device resets.  |
| $\overline{\text{PDPINT}}$                                | 52  | I     | Maskable power-drive protection interrupt. If $\overline{\text{PDPINT}}$ is unmasked and it goes active low, the timer compare outputs immediately go to the high-impedance state.   |
| <b>CLOCK SIGNALS</b>                                      |     |       |  |
| XTAL2   | 57  | O     | PLL oscillator output. XTAL2 is tied to one side of a reference crystal when the device is in PLL mode (CLKMD[1:0] = 1x, CKCR0.7–6). This pin can be left unconnected in oscillator bypass mode ( $\overline{\text{OSCBYP}} \leq V_{\text{IL}}$ ). This pin goes in the high-impedance state when EMU1/OFF is active low.  |
| XTAL1/CLKIN   | 58  | I/Z   | PLL oscillator input. XTAL1/CLKIN is tied to one side of a reference crystal in PLL mode (CLKMD[1:0] = 1x, CKCR0.7–6), or is connected to an external clock source in oscillator bypass mode ( $\overline{\text{OSCBYP}} \leq V_{\text{IL}}$ ).  |
| $\overline{\text{OSCBYP}}$                                | 56  | I     | Bypass on-chip oscillator if low   |

† I = input, O = output, Z = high impedance





**Terminal Functions (Continued)**

| TERMINAL<br>NAME      | NO.     | TYPE† | DESCRIPTION  |
|-----------------------|---------|-------|--|
| <b>SUPPLY SIGNALS</b> |         |       |  |
| CVSS                  | 8       | I     | Digital core logic ground reference  |
| VSS                   | 3       | I     | Digital logic ground reference   |
|                       | 14      |       |  |
|                       | 20      |       |  |
|                       | 29      |       |  |
|                       | 46      |       |  |
|                       | 59      |       |  |
|                       | 61      |       |  |
|                       | 71      |       |  |
|                       | 92      |       |  |
|                       | 104     |       |  |
| 113                   |         |       |  |
| 120                   |         |       |  |
| VSSA                  | 87      | I     | Analog ground reference  |
| DVDD                  | 2       | I     | Digital I/O logic supply voltage   |
|                       | 13      |       |  |
|                       | 21      |       |  |
|                       | 47      |       |  |
|                       | 62      |       |  |
|                       | 93      |       |  |
|                       | 103     |       |  |
| 121                   |         |       |  |
| CVDD                  | 7<br>60 | I     | Digital core logic supply voltage  |
| VCCA                  | 84      | I     | Analog supply voltage  |
| VREFHI                | 85      | I     | ADC analog voltage reference high  |
| VREFLO                | 86      | I     | ADC analog voltage reference low   |
| <b>TEST SIGNALS</b>   |         |       |  |
| TCK                   | 30      | I     | JTAG test clock. TCK is normally a free-running clock signal with a 50% duty cycle. The changes on test-access port (TAP) input signals (TMS and TDI) are clocked into the TAP controller, instruction register, or selected test data register of the C2xx core on the rising edge of TCK. Changes at the TAP output signal (TDO) occur on the falling edge of TCK. |
| TDI                   | 31      | I     | JTAG test data input (TDI). TDI is clocked into the selected register (instruction or data) on a rising edge of TCK.   |
| TDO                   | 34      | O/Z   | JTAG test data output (TDO). The contents of the selected register (instruction or data) are shifted out of TDO on the falling edge of TCK. TDO is in the high-impedance state when $\overline{\text{OFF}}$ is active low.   |
| TMS                   | 33      | I     | JTAG test mode select. This serial control input is clocked into the TAP controller on the rising edge of TCK.   |

† I = input, O = output, Z = high impedance

# TMS320F240 DSP CONTROLLER

SPRS042E – OCTOBER 1996 – REVISED NOVEMBER 2002

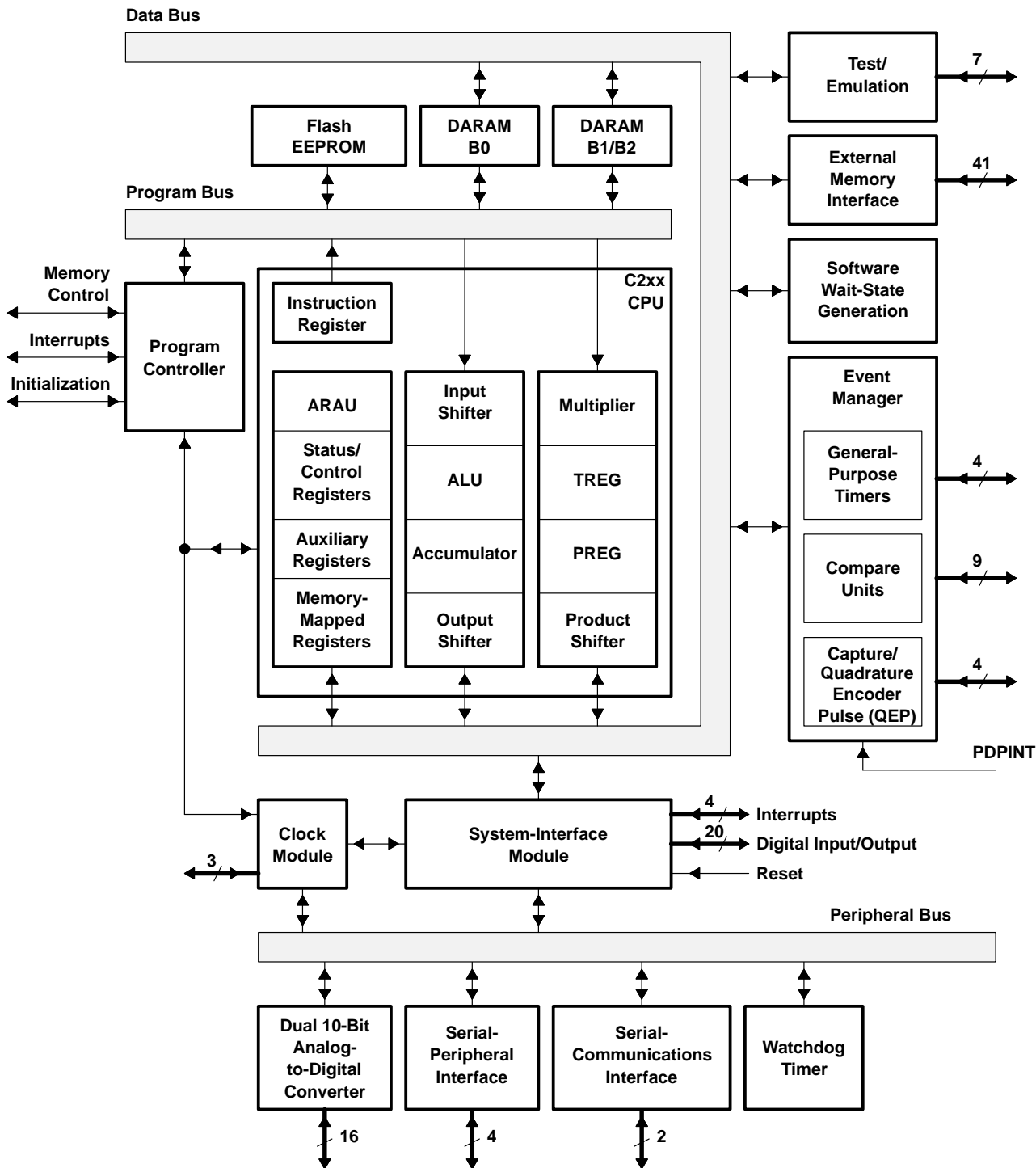
## Terminal Functions (Continued)

| TERMINAL<br>NAME                | NO. | TYPE† | DESCRIPTION   |
|---------------------------------|-----|-------|---|
| <b>TEST SIGNALS (CONTINUED)</b> |     |       |   |
| $\overline{\text{TRST}}$        | 32  | I     | JTAG test reset with internal pulldown. $\overline{\text{TRST}}$ , when driven high, gives the scan system control of the operations of the device. If this signal is not connected or driven low, the device operates in its functional mode, and the test reset signals are ignored.  |
| EMU0                            | 38  | I/O/Z | Emulator pin 0. When $\overline{\text{TRST}}$ is driven low, EMU0 must be high for activation of the $\overline{\text{OFF}}$ condition. When $\overline{\text{TRST}}$ is driven high, EMU0 is used as an interrupt to or from the emulator system and is defined as input/output through the scan.  |
| EMU1 $\overline{\text{OFF}}$    | 39  | I/O/Z | Emulator pin 1/disable all outputs. When $\overline{\text{TRST}}$ is driven high, EMU1 $\overline{\text{OFF}}$ is used as an interrupt to or from the emulator system and is defined as input/output through JTAG scan. When $\overline{\text{TRST}}$ is driven low, this pin is configured as $\overline{\text{OFF}}$ . When EMU1 $\overline{\text{OFF}}$ is active low, it puts all output drivers in the high-impedance state. $\overline{\text{OFF}}$ is used exclusively for testing and emulation purposes (not for multiprocessing applications); therefore, for $\overline{\text{OFF}}$ condition, the following conditions apply:<br>$\overline{\text{TRST}}$ = low, EMU0 = high, EMU1 $\overline{\text{OFF}}$ = low |
| RESERVED                        | 42  | I     | Reserved for test. This pin has an internal pulldown and must be left unconnected.  |

† I = input, O = output, Z = high impedance



## functional block diagram



# TMS320F240 DSP CONTROLLER

SPRS042E – OCTOBER 1996 – REVISED NOVEMBER 2002

## description (continued)

Table 1. Characteristics of the TMS320F240 DSP Controller

| ON-CHIP MEMORY (WORDS) |           |              | POWER SUPPLY (V) | CYCLE TIME (ns) | PACKAGE TYPE PIN COUNT |
|------------------------|-----------|--------------|------------------|-----------------|------------------------|
| RAM                    |           | FLASH EEPROM |                  |                 |                        |
| DATA                   | DATA/PROG | PROG         |                  |                 |                        |
| 288                    | 256       | 16K          | 5                | 50              | PQ 132-P               |

## architectural overview

The functional block diagram provides a high-level description of each component in the F240 DSP controller. The TMS320F240 device is composed of three main functional units: a C2xx DSP core, internal memory, and peripherals. In addition to these three functional units, there are several system-level features of the F240 that are distributed. These system features include the memory map, device reset, interrupts, digital input/output (I/O), clock generation, and low-power operation.

## system-level functions

### device memory map

The TMS320F240 implements three separate address spaces for program memory, data memory, and I/O. Each space accommodates a total of 64K 16-bit words. Within the 64K words of data space, the 256 to 32K words at the top of the address range can be defined to be external global memory in increments of powers of two, as specified by the contents of the global memory allocation register (GREG). Access to global memory is arbitrated using the global memory bus request (BR) signal.

On the F240, the first 96 (0–5Fh) data memory locations are either allocated for memory-mapped registers or are reserved. This memory-mapped register space contains various control and status registers including those for the CPU.

All the on-chip peripherals of the F240 device are mapped into data memory space. Access to these registers is made by the CPU instructions addressing their data-memory locations. Figure 1 shows the memory map.



## device memory map (continued)

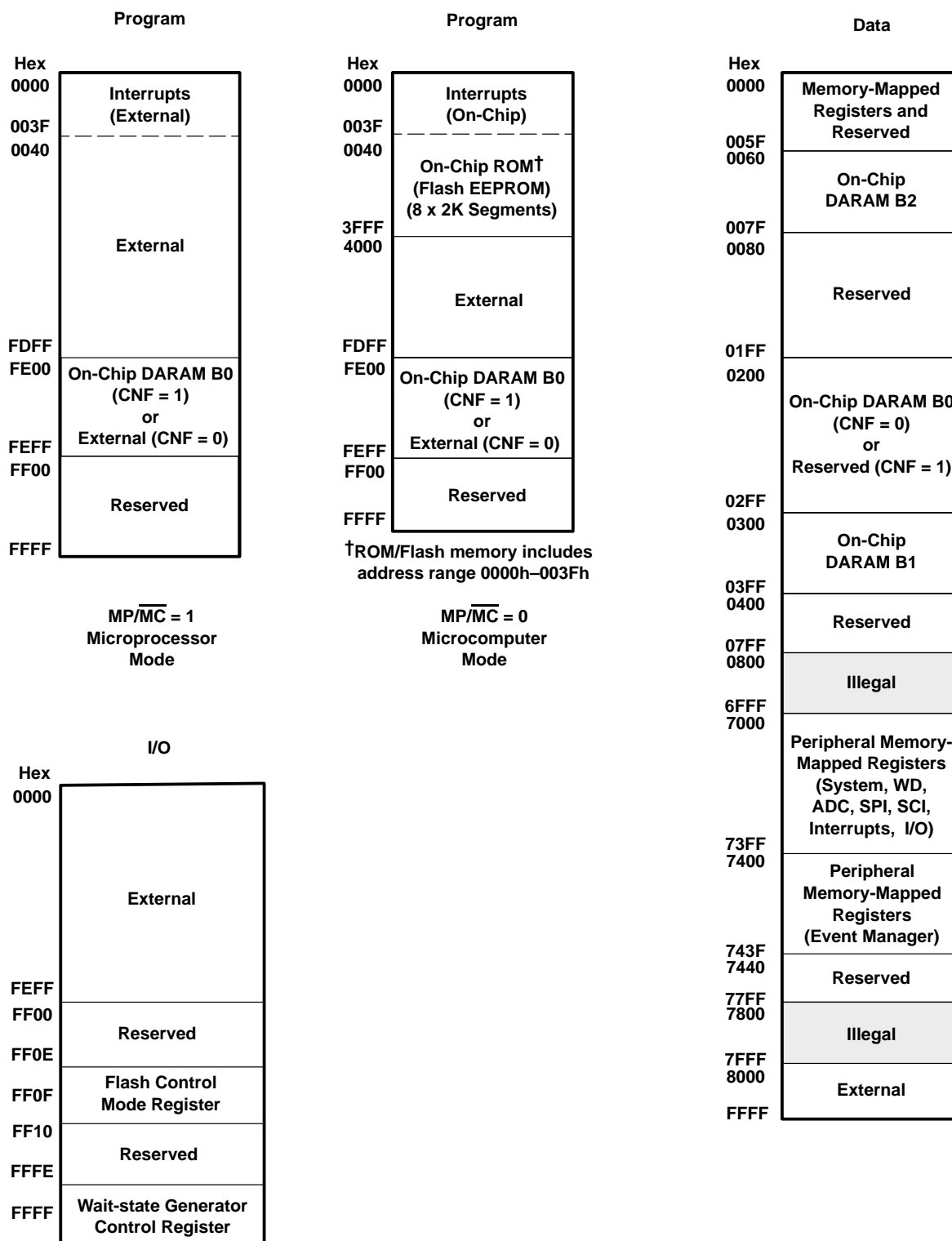


Figure 1. TMS320F240 Memory Map

# TMS320F240 DSP CONTROLLER

SPRS042E – OCTOBER 1996 – REVISED NOVEMBER 2002

## peripheral memory map

The TMS320F240 system and peripheral control register frame contains all the data, status, and control bits to operate the system and peripheral modules on the device (excluding the event manager).

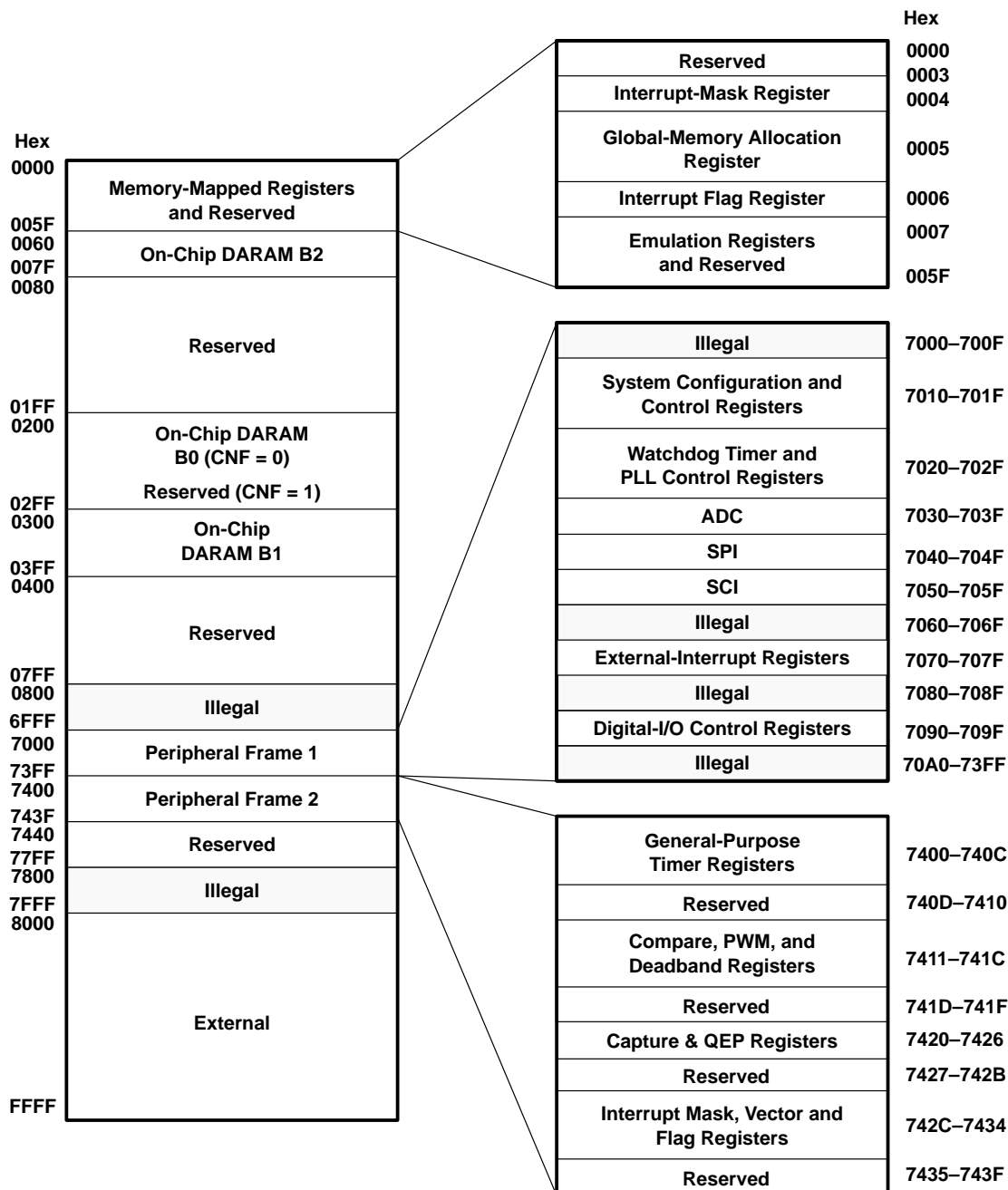


Figure 2. Peripheral Memory Map

## digital I/O and shared pin functions

A total of 28 pins are shared between primary functions and I/Os. These pins are divided into two groups:

- Group1 — Primary functions shared with I/Os belonging to dedicated I/O ports, Port A, Port B, and Port C.
- Group2 — Primary functions belonging to peripheral modules which also have a built-in I/O feature as a secondary function (for example, SCI, SPI, external interrupts, and PLL clock modules).

### description of group1 shared I/O pins

The control structure for Group1 type shared I/O pins is shown in Figure 3. The only exception to this configuration is the CLKOUT/IOPC1 pin. In Figure 3, each pin has three bits that define its operation:

- Mux control bit — this bit selects between the primary function (1) and I/O function (0) of the pin.
- I/O direction bit — if the I/O function is selected for the pin (mux control bit is set to 0), this bit determines whether the pin is an input (0) or an output (1).
- I/O data bit — if the I/O function is selected for the pin (mux control bit is set to 0) and the direction selected is an input, data is read from this bit; if the direction selected is an output, data is written to this bit.

The mux control bit, I/O direction bit, and I/O data bit are in the I/O control registers.

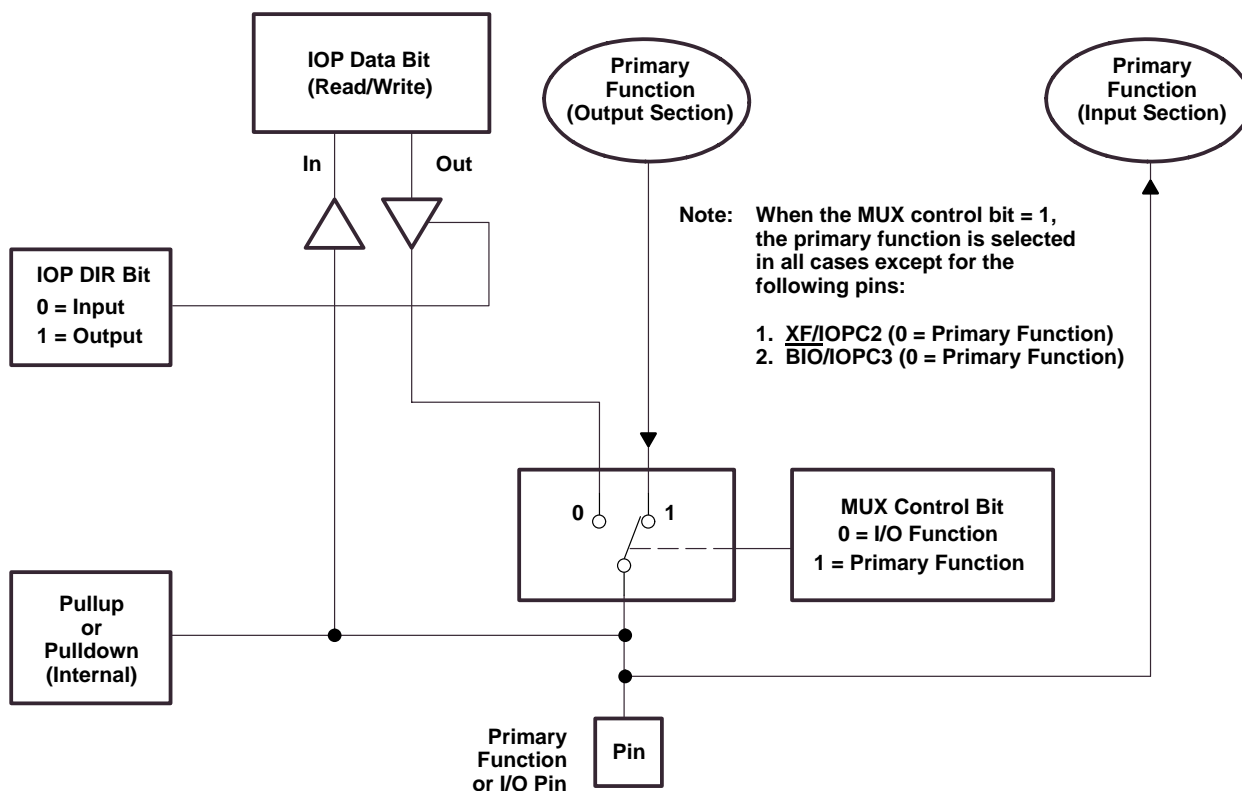


Figure 3. Shared Pin Configuration

A summary of Group1 pin configurations and associated bits is shown in Table 2.

# TMS320F240 DSP CONTROLLER

SPRS042E – OCTOBER 1996 – REVISED NOVEMBER 2002

## description of group1 shared I/O pins (continued)

Table 2. Group1 Shared Pin Configurations

| PIN # | MUX CONTROL REGISTER (name.bit #) | PIN FUNCTION SELECTED |                         | I/O PORT DATA AND DIRECTION† |            |           |
|-------|-----------------------------------|-----------------------|-------------------------|------------------------------|------------|-----------|
|       |                                   | (CRx.n = 1)           | (CRx.n = 0)             | REGISTER                     | DATA BIT # | DIR BIT # |
| 72    | OCRA.0                            | ADCIN0                | IOPA0                   | PADATDIR                     | 0          | 8         |
| 73    | OCRA.1                            | ADCIN1                | IOPA1                   | PADATDIR                     | 1          | 9         |
| 90    | OCRA.2                            | ADCIN9                | IOPA2                   | PADATDIR                     | 2          | 10        |
| 91    | OCRA.3                            | ADCIN8                | IOPA3                   | PADATDIR                     | 3          | 11        |
| 100   | OCRA.8                            | PWM7/CMP7             | IOPB0                   | PBDATDIR                     | 0          | 8         |
| 101   | OCRA.9                            | PWM8/CMP8             | IOPB1                   | PBDATDIR                     | 1          | 9         |
| 102   | OCRA.10                           | PWM9/CMP9             | IOPB2                   | PBDATDIR                     | 2          | 10        |
| 105   | OCRA.11                           | T1PWM/T1CMP           | IOPB3                   | PBDATDIR                     | 3          | 11        |
| 106   | OCRA.12                           | T2PWM/T2CMP           | IOPB4                   | PBDATDIR                     | 4          | 12        |
| 107   | OCRA.13                           | T3PWM/T3CMP           | IOPB5                   | PBDATDIR                     | 5          | 13        |
| 108   | OCRA.14                           | TMRDIR                | IOPB6                   | PBDATDIR                     | 6          | 14        |
| 109   | OCRA.15                           | TMRCLK                | IOPB7                   | PBDATDIR                     | 7          | 15        |
| 63    | OCRB.0                            | ADCSOC                | IOPC0                   | PCDATDIR                     | 0          | 8         |
| 64    | SYSCR.7–6                         |                       |                         |                              |            |           |
|       | 0 0                               | IOPC1                 |                         | PCDATDIR                     | 1          | 9         |
|       | 0 1                               | WDCLK                 |                         | —                            | —          | —         |
|       | 1 0                               | SYSCLK                |                         | —                            | —          | —         |
|       | 1 1                               | CPUCLK                |                         | —                            | —          | —         |
| 65    | OCRB.2                            | IOPC2                 | XF                      | PCDATDIR                     | 2          | 10        |
| 66    | OCRB.3                            | IOPC3                 | $\overline{\text{BIO}}$ | PCDATDIR                     | 3          | 11        |
| 67    | OCRB.4                            | CAP1/QEP1             | IOPC4                   | PCDATDIR                     | 4          | 12        |
| 68    | OCRB.5                            | CAP2/QEP2             | IOPC5                   | PCDATDIR                     | 5          | 13        |
| 69    | OCRB.6                            | CAP3                  | IOPC6                   | PCDATDIR                     | 6          | 14        |
| 70    | OCRB.7                            | CAP4                  | IOPC7                   | PCDATDIR                     | 7          | 15        |

† Valid only if the I/O function is selected on the pin.





**description of group2 shared I/O pins**

Group2 shared pins belong to peripherals that have built-in general-purpose I/O capability. Control and configuration for these pins are achieved by setting the appropriate bits within the control and configuration registers of the peripherals. Table 3 lists the Group2 shared pins.

**Table 3. Group2 Shared Pin Configurations**

| PIN # | PRIMARY FUNCTION | REGISTER | ADDRESS | PERIPHERAL MODULE   |
|-------|------------------|----------|---------|---------------------|
| 43    | SCIRXD           | SCIPC2   | 705Eh   | SCI                 |
| 44    | SCITXD           | SCIPC2   | 705Eh   | SCI                 |
| 45    | SPISIMO          | SPIPC2   | 704Eh   | SPI                 |
| 48    | SPISOMI          | SPIPC2   | 704Eh   | SPI                 |
| 49    | SPICLK           | SPIPC1   | 704Dh   | SPI                 |
| 51    | SPISTE           | SPIPC1   | 704Dh   | SPI                 |
| 54    | XINT2            | XINT2CR  | 7078h   | External Interrupts |
| 55    | XINT3            | XINT3CR  | 707Ah   | External Interrupts |

**digital I/O control registers**

Table 4 lists the registers available to the digital I/O module. As with other F240 peripherals, the registers are memory-mapped to the data space.

**Table 4. Addresses of Digital I/O Control Registers**

| ADDRESS | REGISTER | NAME                                   |
|---------|----------|--|
| 7090h   | OCRA     | I/O mux control register A             |
| 7092h   | OCRB     | I/O mux control register B             |
| 7098h   | PADATDIR | I/O port A data and direction register |
| 709Ah   | PBDATDIR | I/O port B data and direction register |
| 709Ch   | PCDATDIR | I/O port C data and direction register |

**device reset and interrupts**

The TMS320F240 software-programmable interrupt structure supports flexible on-chip and external interrupt configurations to meet real-time interrupt-driven application requirements. The F240 recognizes three types of interrupt sources:

- **Reset** (hardware- or software-initiated) is unarbitrated by the CPU and takes immediate priority over any other executing functions. All maskable interrupts are disabled until the reset service routine enables them.
- **Hardware-generated interrupts** are requested by external pins or by on-chip peripherals. There are two types:
  - *External interrupts* are generated by one of five external pins corresponding to the interrupts XINT1, XINT2, XINT3, PDPINT, and NMI. The first four can be masked both by dedicated enable bits and by the CPU's interrupt mask register (IMR), which can mask each maskable interrupt line at the DSP core. NMI, which is not maskable, takes priority over peripheral interrupts and software-generated interrupts. It can be locked out only by an already executing NMI or a reset.
  - *Peripheral interrupts* are initiated internally by these on-chip peripheral modules: the event manager, SPI, SCI, watchdog/real-time interrupt (WD/RTI), and ADC. They can be masked both by enable bits for each event in each peripheral and by the CPU's IMR, which can mask each maskable interrupt line at the DSP core.

# TMS320F240 DSP CONTROLLER

SPRS042E – OCTOBER 1996 – REVISED NOVEMBER 2002

## device reset and interrupts (continued)

- **Software-generated interrupts** for the F240 device include:
  - *The INTR instruction.* This instruction allows initialization of any F240 interrupt with software. Its operand indicates to which interrupt vector location the CPU branches. This instruction globally disables maskable interrupts (sets the INTM bit to 1).
  - *The NMI instruction.* This instruction forces a branch to interrupt vector location 24h, the same location used for the nonmaskable hardware interrupt NMI. NMI can be initiated by driving the NMI pin low or by executing an NMI instruction. This instruction globally disables maskable interrupts.
  - *The TRAP instruction.* This instruction forces the CPU to branch to interrupt vector location 22h. The TRAP instruction does *not* disable maskable interrupts (INTM is not set to 1); therefore, when the CPU branches to the interrupt service routine, that routine can be interrupted by the maskable hardware interrupts.
  - *An emulator trap.* This interrupt can be generated with either an INTR instruction or a TRAP instruction.

## reset

The reset operation ensures an orderly startup sequence for the device. There are five possible causes of a reset, as shown in Figure 4. Three of these causes are internally generated; the other two causes, the  $\overline{RS}$  and  $\overline{PORESET}$  pins, are controlled externally.

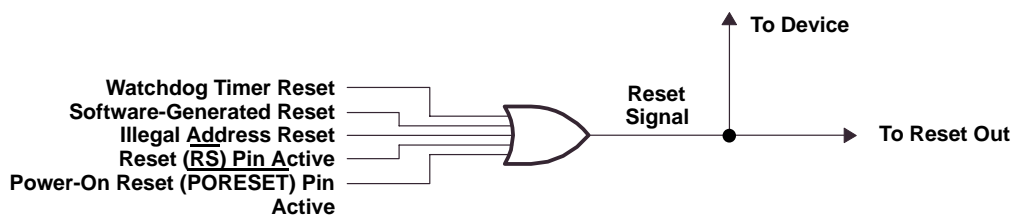


Figure 4. Reset Signals

The five possible reset signals are generated as follows:

- **Watchdog timer reset.** A watchdog-timer-generated reset occurs if the watchdog timer overflows or an improper value is written to either the watchdog key register or the watchdog control register. (Note that when the device is powered on, the watchdog timer is automatically active.)
- **Software-generated reset.** This is implemented with the system control register (SYSCR). Clearing the RESET0 bit (bit 14) or setting the RESET1 bit (bit 15) causes a system reset.
- **Illegal address reset.** The system and peripheral module control register frame address map contains unimplemented address locations in the ranges labeled illegal. Any access to an address located in the illegal ranges generate an illegal-address reset.
- **Reset pin active.** To generate an external reset pulse on the  $\overline{RS}$  pin, a low-level pulse duration of as little as a few nanoseconds is usually effective; however, pulses of one SYSCLK cycle are necessary to ensure that the device recognizes the reset signal.
- **Power-on reset pin active.** To generate a power-on reset pulse on the  $\overline{PORESET}$  pin, a low-level pulse of one SYSCLK cycle is necessary to ensure that the device recognizes the reset signal.

Once a reset source is activated, the external  $\overline{RS}$  pin is driven (active) low for a minimum of eight SYSCLK cycles. This allows the TMS320F240 device to reset external system components. Additionally, if a brown-out condition ( $V_{CC} < V_{CCmin}$  for several microseconds causing  $\overline{PORESET}$  to go low) occurs or the  $\overline{RS}$  pin is held low, then the reset logic holds the device in a reset state for as long as these actions are active.

**reset (continued)**

The occurrence of a reset condition causes the TMS320F240 to terminate program execution and affects various registers and status bits. During a reset, RAM contents remain unchanged, and all control bits that are affected by a reset are initialized to their reset state. In the case of a power-on reset, the PLL control registers are initialized to zero. The program needs to recognize power-on resets and configure the PLL for correct operation.

After a reset, the program can check the power-on reset flag (PORST flag, SYSSR.15), the illegal address flag (ILLADR flag, SYSSR.12), the software reset flag (SWRST flag, SYSSR.10), and the watchdog reset flag (WDRST flag, SYSSR.9) to determine the source of the reset. A reset does not clear these flags.

$\overline{RS}$  and  $\overline{PORESET}$  must be held low until the clock signal is valid and  $V_{CC}$  is within the operating range. In addition,  $\overline{PORESET}$  must be driven low when  $V_{CC}$  drops below the minimum operating voltage.

**hardware-generated interrupts**

All the hardware interrupt lines of the DSP core are given a priority rank from 1 to 10 (1 being highest). When more than one of these hardware interrupts is pending acknowledgment, the interrupt of highest rank gets acknowledged first. The others are acknowledged in order after that. Of those ten lines, six are for maskable interrupt lines (INT1–INT6) and one is for the nonmaskable interrupt (NMI) line. INT1–INT6 and NMI have the priorities shown in Table 5.

**Table 5. Interrupt Priorities at the Level of the DSP Core**

| INTERRUPT    | PRIORITY AT THE DSP CORE |
|--------------|--------------------------|
| RESET        | 1                        |
| TI RESERVED† | 2                        |
| NMI          | 3                        |
| INT1         | 4                        |
| INT2         | 5                        |
| INT3         | 6                        |
| INT4         | 7                        |
| INT5         | 8                        |
| INT6         | 9                        |
| TI RESERVED† | 10                       |

† TI Reserved means that the address space is reserved for Texas Instruments.

The inputs to these lines are controlled by the system module and the event manager as summarized in Table 6 and shown in Figure 5.

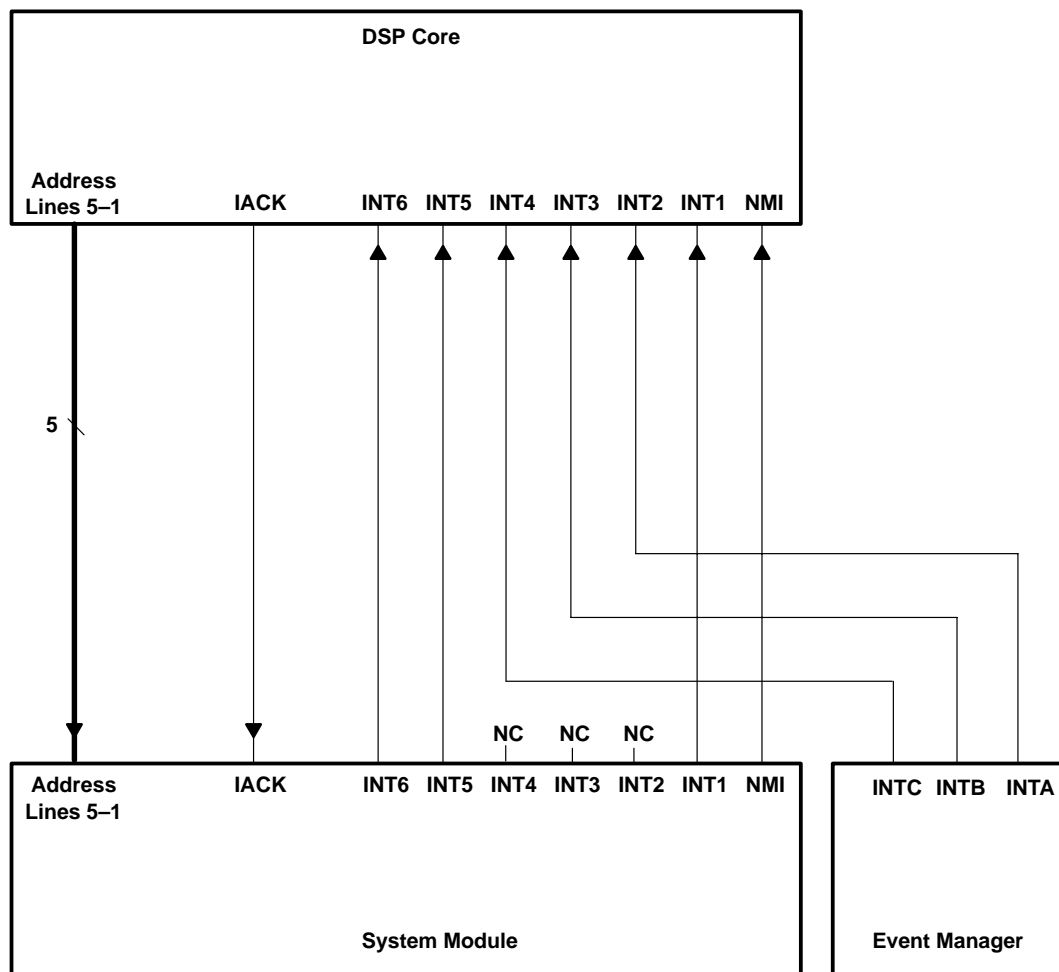
**Table 6. Interrupt Lines Controlled by the System Module and Event Manager**

| PERIPHERAL    | INTERRUPT LINES             |
|---------------|-----------------------------|
| System Module | INT1<br>INT5<br>INT6<br>NMI |
| Event Manager | INT2<br>INT3<br>INT4        |

# TMS320F240 DSP CONTROLLER

SPRS042E – OCTOBER 1996 – REVISED NOVEMBER 2002

## hardware-generated interrupts (continued)



**Figure 5. DSP Interrupt Structure**

At the level of the system module and the event manager, each of the maskable interrupt lines (INT1–INT6) is connected to multiple maskable interrupt sources. Sources connected to interrupt line INT1 are called Level 1 interrupts; sources connected to interrupt line INT2 are called Level 2 interrupts; and so on. For each interrupt line, the multiple sources also have a set priority ranking. The source with the highest priority has its interrupt request responded to by the DSP core first.

Figure 6 shows the sources and priority ranking for the interrupts controlled by the system module. For each interrupt chain, the interrupt source of highest priority is at the top. Priority decreases from the top of the chain to the bottom. Figure 7 shows the interrupt sources and priority ranking for the event manager interrupts.

hardware-generated interrupts (continued)

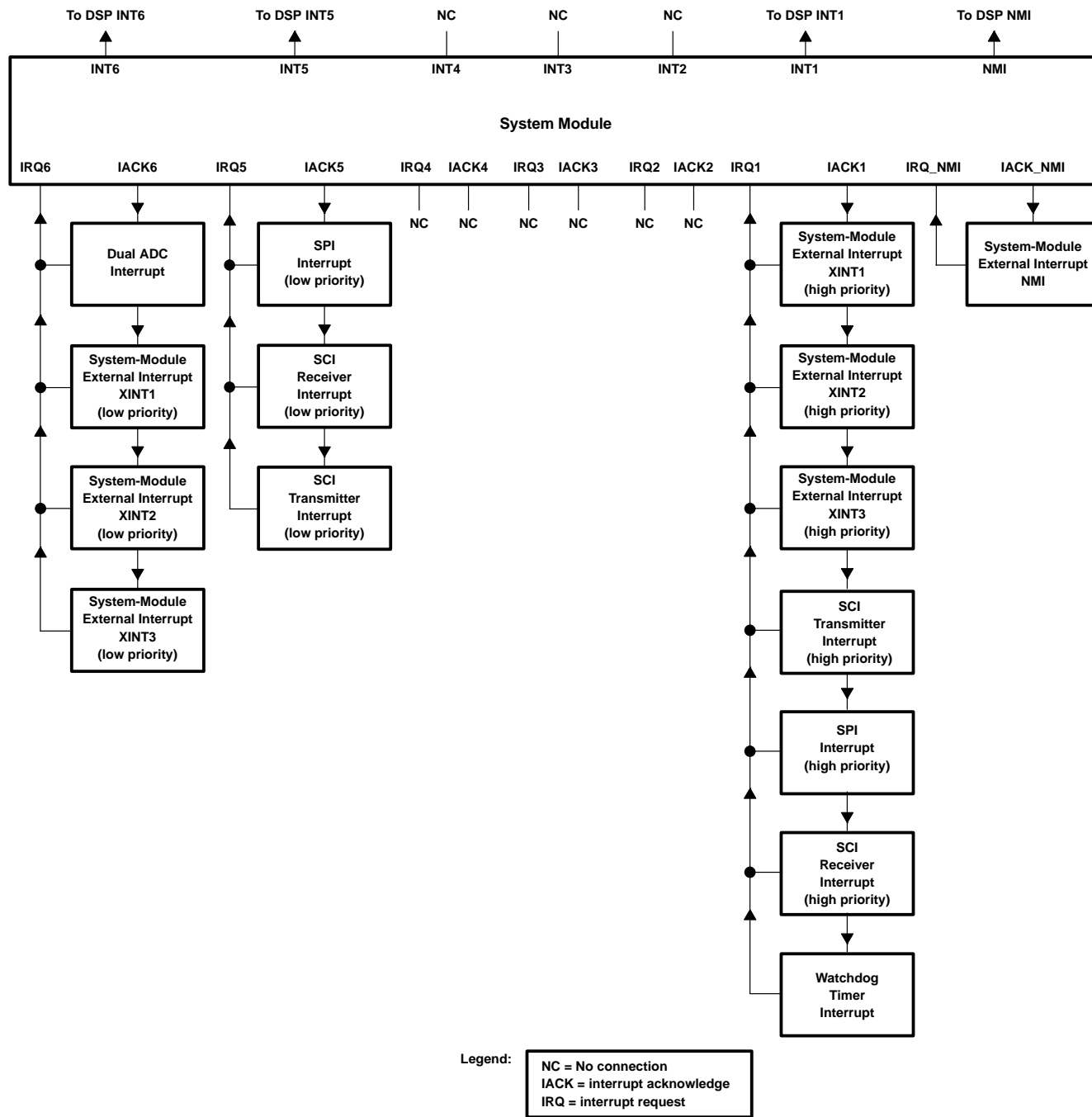
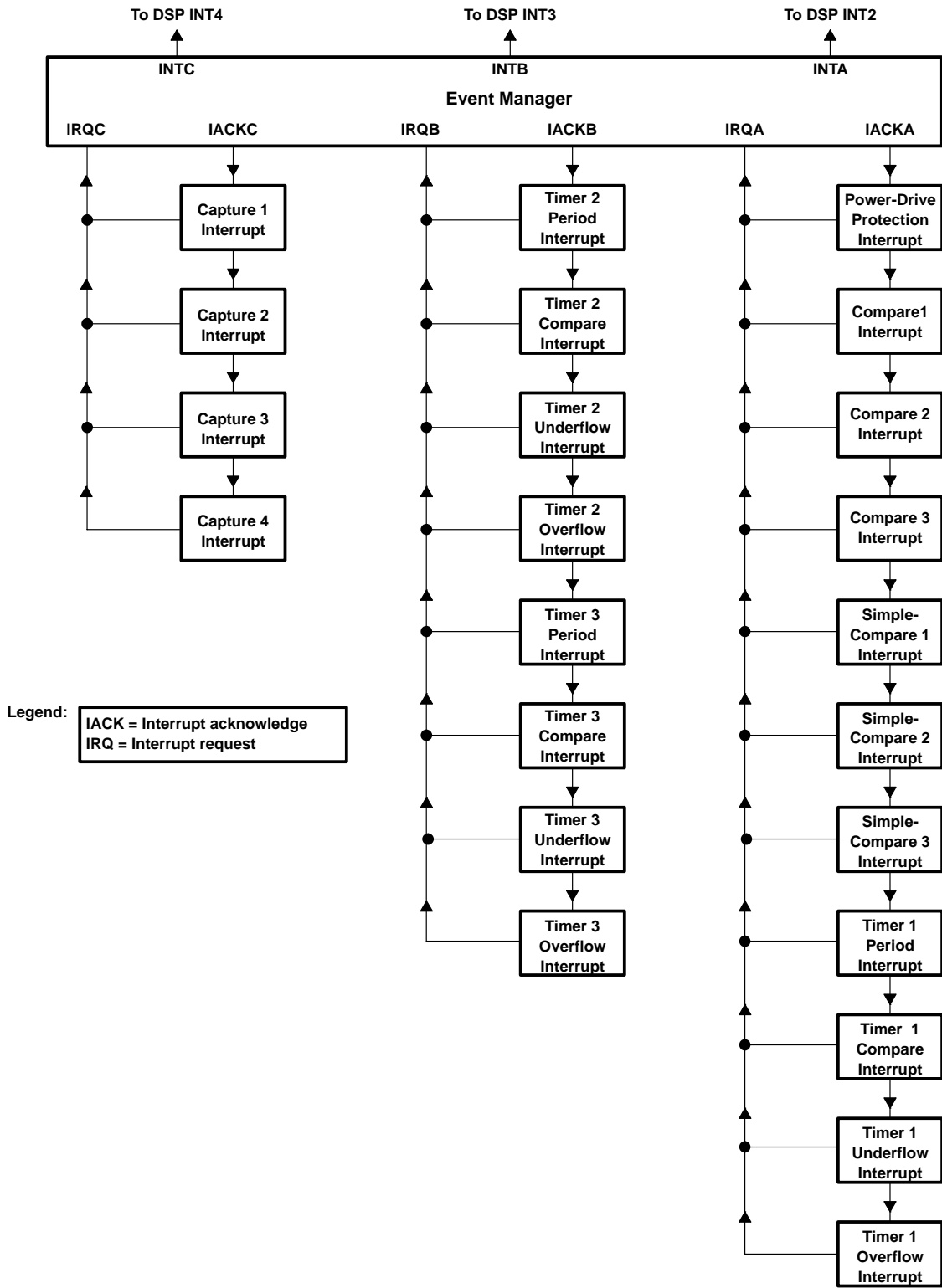


Figure 6. System Module Interrupt Structure

*hardware-generated interrupts (continued)*



**Figure 7. Event-Manager Interrupt Structure**

**hardware-generated interrupts (continued)**

Each of the interrupt sources has its own control register with a flag bit and an enable bit. When an interrupt request is received, the flag bit in the corresponding control register is set. If the enable bit is also set, a signal is sent to arbitration logic, which can simultaneously receive similar signals from one or more of the other control registers. The arbitration logic compares the priority level of competing interrupt requests, and it passes the interrupt of highest priority to the CPU. The corresponding flag is set in the interrupt flag register (IFR), indicating that the interrupt is pending. The CPU then must decide whether to acknowledge the request. Maskable hardware interrupts are acknowledged only after certain conditions are met:

- **Priority is highest.** When more than one hardware interrupt is requested at the same time, the F240 services them according to the set priority ranking.
- **INTM bit is 0.** The interrupt mode (INTM) bit, bit 9 of status register ST0, enables or disables all maskable interrupts:
  - When INTM = 0, all unmasked interrupts are enabled.
  - When INTM = 1, all unmasked interrupts are disabled.

INTM is set to 1 automatically when the CPU acknowledges an interrupt (except when initiated by the TRAP instruction) and at reset. It can be set and cleared by software.

- **IMR mask bit is 1.** Each of the maskable interrupt lines has a mask bit in the interrupt mask register (IMR). To unmask an interrupt line, set its IMR bit to 1.

When the CPU acknowledges a maskable hardware interrupt, it jams the instruction bus with the INTR instruction. This instruction forces the PC to the appropriate address from which the CPU fetches the software vector. This vector leads to an interrupt service routine.

Usually, the interrupt service routine reads the peripheral-vector-address offset from the peripheral-vector-address register (see Table 7) to branch to code that is meant for the specific interrupt source that initiated the interrupt request. The F240 includes a phantom-interrupt vector offset (0000h), which is a system interrupt integrity feature that allows a controlled exit from an improper interrupt sequence. If the CPU acknowledges a request from a peripheral when, in fact, no peripheral has requested an interrupt, the phantom-interrupt vector is read from the interrupt-vector register.

Table 7 summarizes the interrupt sources, overall priority, vector address/offset, source, and function of each interrupt available on the TMS320F240.

# TMS320F240 DSP CONTROLLER

SPRS042E – OCTOBER 1996 – REVISED NOVEMBER 2002

## hardware-generated interrupts (continued)

**Table 7. Interrupt Locations and Priorities**

| INTERRUPT NAME          | OVERALL PRIORITY | DSP-CORE INTERRUPT, AND ADDRESS              | PERIPHERAL VECTOR ADDRESS | PERIPHERAL VECTOR ADDRESS OFFSET | MASKABLE?                 | SOURCE PERIPHERAL MODULE | FUNCTION INTERRUPT                     |   |          |   |
|-------------------------|------------------|--|---------------------------|----------------------------------|---------------------------|--------------------------|--|---|----------|---|
| $\overline{RS}$         | 1<br>Highest     | $\overline{RS}$<br>0000h                     | N/A                       |                                  | N                         | Core, SD                 | External, system reset (RESET)         |   |          |   |
| RESERVED                | 2                | INT7<br>0026h                                | N/A                       | N/A                              | N                         | DSP Core                 | Emulator trap                          |   |          |   |
| NMI                     | 3                | NMI<br>0024h                                 | N/A                       | 0002h                            | N                         | Core, SD                 | External user interrupt                |   |          |   |
| XINT1<br>XINT2<br>XINT3 | 4<br>5<br>6      | INT1<br>0002h<br><br>(System)                | SYSIVR<br>(701Eh)         | 0001h                            | Y                         | SD                       | High-priority external user interrupts |   |          |   |
| SPIINT                  | 7                |  |                           | 0005h                            |                           |                          |  | Y | SPI      | High-priority SPI interrupt               |
| RXINT                   | 8                |  |                           | 0006h                            |                           |                          |  | Y | SCI      | SCI receiver interrupt (high priority)    |
| TXINT                   | 9                |  |                           | 0007h                            |                           |                          |  | Y | SCI      | SCI transmitter interrupt (high priority) |
| WDTINT                  | 10               |  |                           | 0010h                            |                           |                          |  | Y | WDT      | Watchdog timer interrupt                  |
| PDPINT                  | 11               |  |                           | 0020h                            |                           |                          |  | Y | External | Power-drive protection Int.               |
| CMP1INT                 | 12               |  |                           | 0021h                            |                           |                          |  | Y | EV.CMP1  | Full Compare 1 interrupt                  |
| CMP2INT                 | 13               | 0022h  | Y                         | EV.CMP2                          | Full Compare 2 interrupt  |                          |  |   |          |   |
| CMP3INT                 | 14               | 0023h  | Y                         | EV.CMP3                          | Full Compare 3 interrupt  |                          |  |   |          |   |
| SCMP1INT                | 15               | INT2<br>0004h<br><br>(Event Manager Group A) | EVIVRA<br>(7432h)         | 0024h                            | Y                         | EV.CMP4                  | Simple compare 1 interrupt             |   |          |   |
| SCMP2INT                | 16               |  |                           | 0025h                            | Y                         | EV.CMP5                  | Simple compare 2 interrupt             |   |          |   |
| SCMP3INT                | 17               |  |                           | 0026h                            | Y                         | EV.CMP6                  | Simple compare 3 interrupt             |   |          |   |
| TPINT1                  | 18               |  |                           | 0027h                            | Y                         | EV.GPT1                  | Timer1-period interrupt                |   |          |   |
| TCINT1                  | 19               |  |                           | 0028h                            | Y                         | EV.GPT1                  | Timer1-compare interrupt               |   |          |   |
| TUFINT1                 | 20               |  |                           | 0029h                            | Y                         | EV.GPT1                  | Timer1-underflow interrupt             |   |          |   |
| TOFINT1                 | 21               |  |                           | 002Ah                            | Y                         | EV.GPT1                  | Timer1-overflow interrupt              |   |          |   |
| TPINT2                  | 22               | INT3<br>0006h<br><br>(Event Manager Group B) | EVIVRB<br>(7433h)         | 002Bh                            | Y                         | EV.GPT2                  | Timer2-period interrupt                |   |          |   |
| TCINT2                  | 23               |  |                           | 002Ch                            | Y                         | EV.GPT2                  | Timer2-compare interrupt               |   |          |   |
| TUFINT2                 | 24               |  |                           | 002Dh                            | Y                         | EV.GPT2                  | Timer2-underflow interrupt             |   |          |   |
| TOFINT2                 | 25               |  |                           | 002Eh                            | Y                         | EV.GPT2                  | Timer2-overflow interrupt              |   |          |   |
| TPINT3                  | 26               |  |                           | 002Fh                            | Y                         | EV.GPT3                  | Timer3-period interrupt                |   |          |   |
| TCINT3                  | 27               |  |                           | 0030h                            | Y                         | EV.GPT3                  | Timer3-compare interrupt               |   |          |   |
| TUFINT3                 | 28               |  |                           | 0031h                            | Y                         | EV.GPT3                  | Timer3-underflow interrupt             |   |          |   |
| TOFINT3                 | 29               | 0032h  | Y                         | EV.GPT3                          | Timer3-overflow interrupt |                          |  |   |          |   |
| CAPINT1                 | 30               | INT4<br>0008h<br><br>(Event Manager Group C) | EVIVRC<br>(7434h)         | 0033h                            | Y                         | EV.CAP1                  | Capture 1 interrupt                    |   |          |   |
| CAPINT2                 | 31               |  |                           | 0034h                            | Y                         | EV.CAP2                  | Capture 2 interrupt                    |   |          |   |
| CAPINT3                 | 32               |  |                           | 0035h                            | Y                         | EV.CAP3                  | Capture 3 interrupt                    |   |          |   |
| CAPINT4                 | 33               |  |                           | 0036h                            | Y                         | EV.CAP4                  | Capture 4 interrupt                    |   |          |   |





**hardware-generated interrupts (continued)**

**Table 7. Interrupt Locations and Priorities (Continued)**

| INTERRUPT NAME | OVERALL PRIORITY | DSP-CORE INTERRUPT, AND ADDRESS | PERIPHERAL VECTOR ADDRESS | PERIPHERAL VECTOR ADDRESS OFFSET | MASKABLE? | SOURCE PERIPHERAL MODULE | FUNCTION INTERRUPT                          |
|----------------|------------------|---------------------------------|---------------------------|----------------------------------|-----------|--------------------------|---|
| SPIINT         | 34               | INT5<br><br>000Ah<br>(System)   | SYSIVR<br>(701Eh)         | 0005h                            | Y         | SPI                      | Low-priority SPI interrupt                  |
| RXINT          | 35               |                                 |                           | 0006h                            | Y         | SCI                      | SCI receiver interrupt<br>(low priority)    |
| TXINT          | 36               |                                 |                           | 0007h                            | Y         | SCI                      | SCI transmitter interrupt<br>(low priority) |
| ADCINT         | 37               | INT6                            | SYSIVR                    | 0004h                            | Y         | ADC                      | Analog-to-digital interrupt                 |
| XINT1          | 38               | 000Ch<br>(System)               | (701Eh)                   | 0001h                            | Y         | External pins            | Low-priority external user interrupts       |
| XINT2          | 39               |                                 |                           | 0011h                            | Y         |                          |   |
| XINT3          | 40               |                                 |                           | 001Fh                            | Y         |                          |   |
| RESERVED       | 41               | 000Eh                           | N/A                       |                                  | Y         | DSP Core                 | Used for analysis                           |
| TRAP           | N/A              | 0022h                           | N/A                       |                                  | N/A       |                          | TRAP instruction vector                     |

**external interrupts**

The F240 has five external interrupts. These interrupts include:

- **XINT1.** Type A interrupt. The XINT1 control register (at 7070h) provides control and status for this interrupt. XINT1 can be used as a high-priority (Level 1) or low-priority (Level 6) maskable interrupt or as a general-purpose input pin. XINT1 can also be programmed to trigger an interrupt on either the rising or the falling edge.
- **NMI.** Type A interrupt. The NMI control register (at 7072h) provides control and status for this interrupt. NMI is a nonmaskable external interrupt or a general-purpose input pin. NMI can also be programmed to trigger an interrupt on either the rising or the falling edge.
- **XINT2.** Type C interrupt. The XINT2 control register (at 7078h) provides control and status for this interrupt. XINT2 can be used as a high-priority (Level 1) or low-priority (Level 6) maskable interrupt or a general-purpose I/O pin. XINT2 can also be programmed to trigger an interrupt on either the rising or the falling edge.
- **XINT3.** Type C interrupt. The XINT3 control register (at 707Ah) provides control and status for this interrupt. XINT3 can be used as a high-priority (Level 1) or low-priority (Level 6) maskable interrupt or as a general-purpose I/O pin. XINT3 can also be programmed to trigger an interrupt on either the rising or the falling edge.
- **PDPINT.** This interrupt is provided for safe operation of the power converter and motor drive. This maskable interrupt can put the timers and PWM output pins in the high-impedance state and inform the CPU in case of motor drive abnormalities such as overvoltage, overcurrent, and excessive temperature rise. PDPINT is a Level 2 interrupt.

# TMS320F240 DSP CONTROLLER

SPRS042E – OCTOBER 1996 – REVISED NOVEMBER 2002

## external interrupts (continued)

Table 8 is a summary of the external interrupt capability of the F240.

**Table 8. External Interrupt Types and Functions**

| EXTERNAL INTERRUPT | CONTROL REGISTER NAME | CONTROL REGISTER ADDRESS | INTERRUPT TYPE | CAN DO NMI? | DIGITAL I/O PIN | MASKABLE?             |
|--------------------|-----------------------|--------------------------|----------------|-------------|-----------------|-----------------------|
| XINT1              | XINT1CR               | 7070h                    | A              | No          | Input only      | Yes<br>(Level 1 or 6) |
| NMI                | NMICR                 | 7072h                    | A              | Yes         | Input only      | No                    |
| XINT2              | XINT2CR               | 7078h                    | C              | No          | I/O             | Yes<br>(Level 1 or 6) |
| XINT3              | XINT3CR               | 707Ah                    | C              | No          | I/O             | Yes<br>(Level 1 or 6) |
| PDINT              | EVIMRA                | 742Ch                    | N/A            | N/A         | N/A             | Yes<br>(Level 2)      |

## clock generation

The TMS320F240 has an on-chip, PLL-based clock module. This module provides all the necessary clocking signals for the device, as well as control for low-power mode entry. The only external component necessary for this module is an external fundamental crystal, or oscillator.

The PLL-based clock module provides two basic modes of operation: oscillator mode and clock-in mode.

- oscillator mode  
This mode allows the use of a 4-, 6-, or 8-MHz external reference crystal to provide the time base to the device. The internal oscillator circuitry is initialized by software to select the desired CPUCLK frequency, which can be the input clock frequency, the input clock frequency divided by 2 (default), or a clock frequency determined by the PLL.
- Clock-in mode  
This mode allows the internal crystal oscillator circuitry to be bypassed. The device clocks are generated from an external clock source input on the XTAL1/CLKIN pin. The device can be configured by software to operate on the input clock frequency, the input clock frequency divided by 2, or a clock frequency determined by the PLL.

The F240 runs on two clock frequencies: the CPU clock (CPUCLK) frequency, and the system clock (SYSCLK) frequency. The CPU, memories, external memory interface, and event manager run at the CPUCLK frequency. All other peripherals run at the SYSCLK frequency. The CPUCLK runs at 2x or 4x the frequency of the SYSCLK; for example, for 2x, CPUCLK = 20 MHz and SYSCLK = 10 MHz. There is also a clock for the watchdog timer, WDCLK. This clock has a nominal frequency of 16384 Hz (214 Hz) when XTAL1/CLKIN is a power of two or a sum of two powers of two; for example, 4194304 Hz (222 Hz), 6291456 (222 + 221 Hz), or 8388608 Hz (223 Hz).

The clock module includes three external pins:

1. XTAL1/CLKIN      clock source/crystal input
2. XTAL2            output to crystal
3.  $\overline{\text{OSCBYP}}$       oscillator bypass

For the external pins, if  $\overline{\text{OSCBYP}} \geq V_{IH}$ , then the oscillator is enabled and if  $\overline{\text{OSCBYP}} \leq V_{IL}$ , then the oscillator is bypassed and the device is in clock-in mode. In clock-in mode, an external TTL clock must be applied to the XTAL1/CLKIN pin. The XTAL2 pin can be left unconnected.



clock generation (continued)

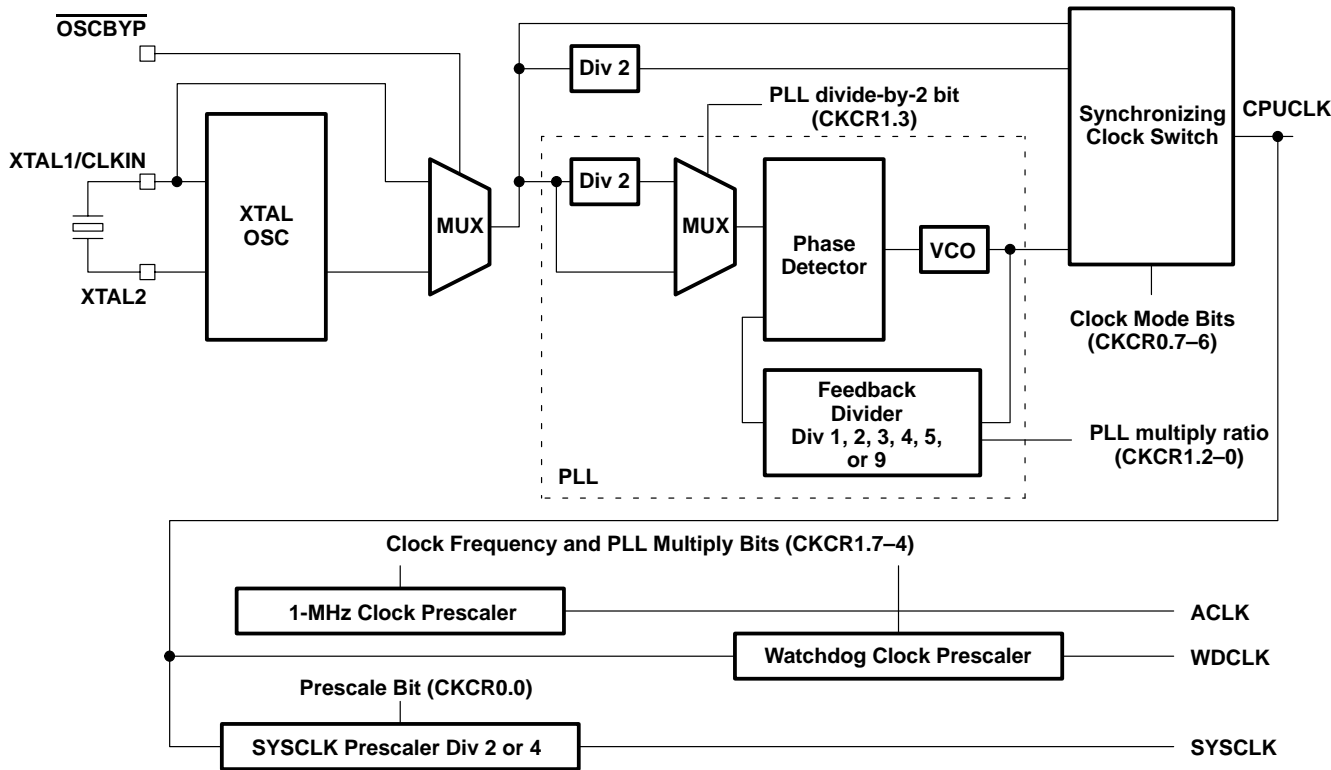


Figure 8. PLL Clock Module Block Diagram

# TMS320F240 DSP CONTROLLER

SPRS042E – OCTOBER 1996 – REVISED NOVEMBER 2002

## low-power modes

The TMS320F240 has four low-power modes (IDLE 1, IDLE 2, PLL power down, and oscillator power down). The low-power modes reduce the operating power by reducing or stopping the activity of various modules (by stopping their clocks). The two PLLPM bits of the clock module control register, CKCR0, select which of the low-power modes the device enters when executing an IDLE instruction. Reset or an unmasked interrupt from any source causes the device to exit from IDLE 1 low-power mode. A real-time interrupt from the watchdog timer module causes the device to exit from all low-power modes except oscillator power down. This is a wake-up interrupt. When enabled, reset or any of the four external interrupts (NMI, XINT1, XINT2, or XINT3) causes the device to exit from any of the low-power modes (IDLE 1, IDLE 2, PLL power down, and oscillator power down). The external interrupts are all wake-up interrupts. The maskable external interrupts (XINT1, XINT2, and XINT3) must be enabled individually and globally to bring the device out of a low-power mode properly. It is, therefore, important to ensure that the desired low-power-mode exit path is enabled before entering a low-power mode. Figure 9 shows the wake-up sequence from a power down. Table 9 summarizes the low-power modes.

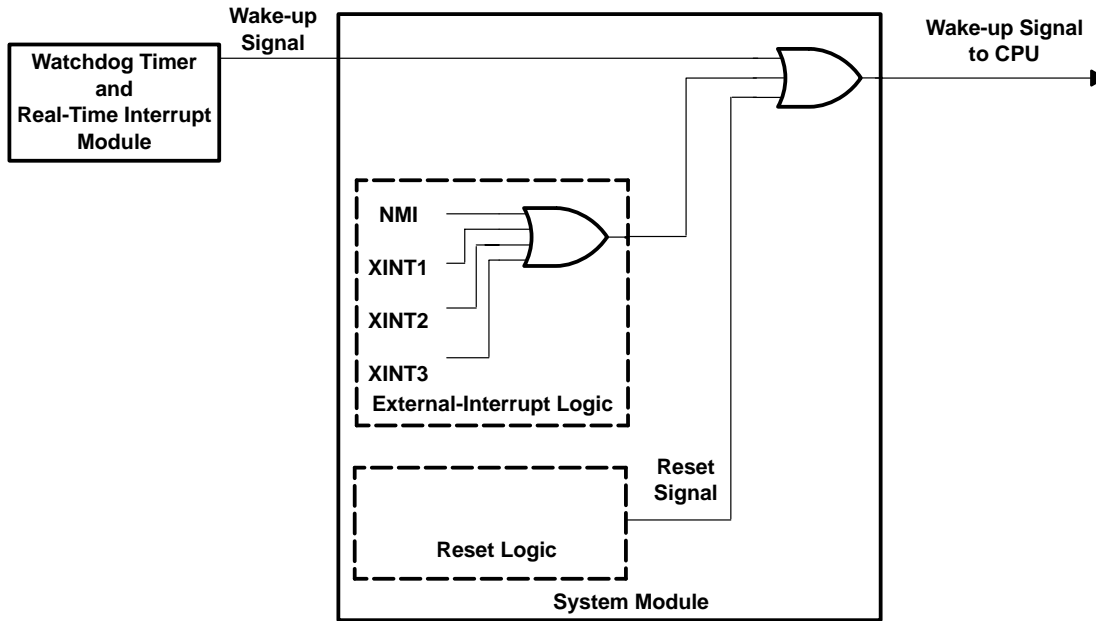
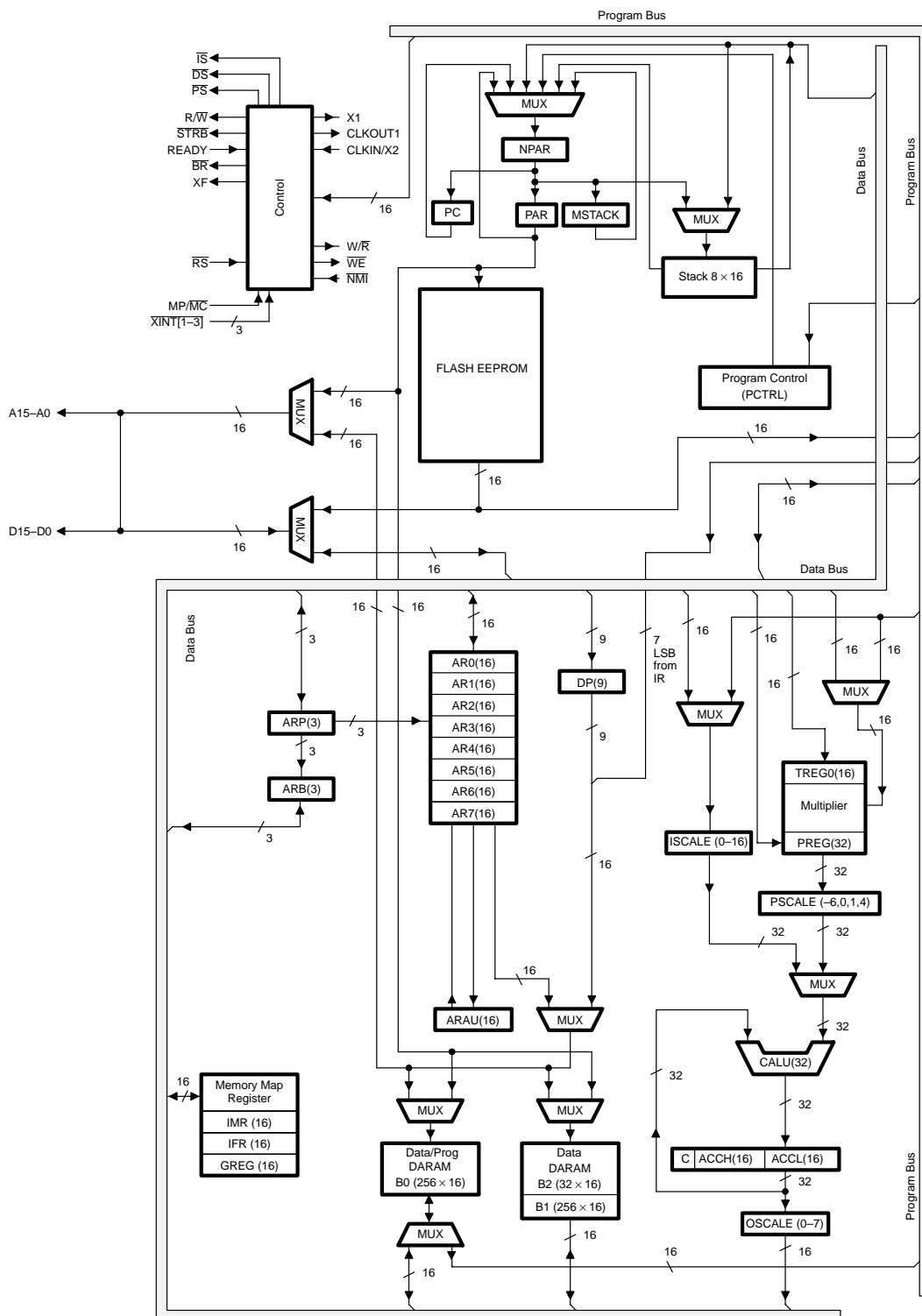


Figure 9. Waking Up the Device From Power Down

Table 9. Low-Power Modes

| LOW-POWER MODE | PLLPM(x) BITS IN CKCR0[2:3] | CPUCLK STATUS | SYSCLK STATUS | WDCLK STATUS | PLL STATUS | OSC STATUS | EXIT CONDITION             | TYPICAL POWER |
|----------------|-----------------------------|---------------|---------------|--------------|------------|------------|----------------------------|---------------|
| Run            | XX                          | On            | On            | On           | On         | On         | –                          | 80 mA         |
| Idle 1         | 00                          | Off           | On            | On           | On         | On         | Any interrupt or reset     | 50 mA         |
| Idle 2         | 01                          | Off           | Off           | On           | On         | On         | Wake-up interrupt or reset | 7 mA          |
| PLL Power Down | 10                          | Off           | Off           | On           | Off        | On         | Wake-up interrupt or reset | 1 mA          |
| OSC Power Down | 11                          | Off           | Off           | Off          | Off        | Off        | Wake-up interrupt or reset | 400 $\mu$ A   |

## functional block diagram of the TMS320F240 DSP CPU



- NOTES: A. Symbol descriptions appear in Table 10.  
 B. For clarity the data and program buses are shown as single buses although they include address and data bits.

# TMS320F240 DSP CONTROLLER

SPRS042E – OCTOBER 1996 – REVISED NOVEMBER 2002

**Table 10. Legend for the F240 Internal Hardware Functional Block Diagram**

| SYMBOL          | NAME                               | DESCRIPTION   |
|-----------------|------------------------------------|---|
| ACC             | Accumulator                        | 32-bit register that stores the results and provides input for subsequent CALU operations. Also includes shift and rotate capabilities  |
| ARAU            | Auxiliary Register Arithmetic Unit | An unsigned, 16-bit arithmetic unit used to calculate indirect addresses using the auxiliary registers as inputs and outputs  |
| AUX REGS        | Auxiliary Registers 0–7            | These 16-bit registers are used as pointers to anywhere within the data space address range. They are operated upon by the ARAU and are selected by the auxiliary register pointer (ARP). AR0 can also be used as an index value for AR updates of more than one and as a compare value to AR.  |
| $\overline{BR}$ | Bus Request Signal                 | $\overline{BR}$ is asserted during access of the external global data memory space. READY is asserted to the device when the global data memory is available for the bus transaction. BR can be used to extend the data memory address space by up to 32K words.  |
| C               | Carry                              | Register carry output from CALU. C is fed back into the CALU for extended arithmetic operation. The C bit resides in status register 1 (ST1), and can be tested in conditional instructions. C is also used in accumulator shifts and rotates.  |
| CALU            | Central Arithmetic Logic Unit      | 32-bit-wide main arithmetic logic unit for the TMS320C2xx core. The CALU executes 32-bit operations in a single machine cycle. CALU operates on data coming from ISCALE or PSCALE with data from ACC, and provides status results to PCTRL.   |
| DARAM           | Dual Access RAM                    | If the on-chip RAM configuration control bit (CNF) is set to 0, the reconfigurable data dual-access RAM (DARAM) block B0 is mapped to data space; otherwise, B0 is mapped to program space. Blocks B1 and B2 are mapped to data memory space only, at addresses 0300–03FF and 0060–007F, respectively. Blocks 0 and 1 contain 256 words, while Block 2 contains 32 words. |
| DP              | Data Memory Page Pointer           | The 9-bit DP register is concatenated with the seven LSBs of an instruction word to form a direct memory address of 16 bits. DP can be modified by the LST and LDP instructions.  |
| GREG            | Global Memory Allocation Register  | GREG specifies the size of the global data memory space.  |
| IMR             | Interrupt Mask Register            | IMR individually masks or enables the seven interrupts.   |
| IFR             | Interrupt Flag Register            | The 7-bit IFR indicates that the TMS320C2xx has latched an interrupt from one of the seven maskable interrupts.   |
| INT#            | Interrupt Traps                    | A total of 32 interrupts by way of hardware and/or software are available.  |
| ISCALE          | Input Data-Scaling Shifter         | 16 to 32-bit barrel left-shifter. ISCALE shifts incoming 16-bit data 0 to 16 positions left, relative to the 32-bit output within the fetch cycle; therefore, no cycle overhead is required for input scaling operations.   |
| MPY             | Multiplier                         | 16 × 16-bit multiplier to a 32-bit product. MPY executes multiplication in a single cycle. MPY operates either signed or unsigned 2s-complement arithmetic multiply.  |
| MSTACK          | Micro Stack                        | MSTACK provides temporary storage for the address of the next instruction to be fetched when program address-generation logic is used to generate sequential addresses in data space.   |
| MUX             | Multiplexer                        | Multiplexes buses to a common input   |
| NPAR            | Next Program Address Register      | NPAR holds the program address to be driven out on the PAB on the next cycle.   |
| OSCALE          | Output Data-Scaling Shifter        | 16 to 32-bit barrel left-shifter. OSCALE shifts the 32-bit accumulator output 0 to 7 bits left for quantization management and outputs either the 16-bit high- or low-half of the shifted 32-bit data to the Data-Write Data Bus (DWEB).  |
| PAR             | Program Address Register           | PAR holds the address currently being driven on PAB for as many cycles as it takes to complete all memory operations scheduled for the current bus cycle.   |
| PC              | Program Counter                    | PC increments the value from NPAR to provide sequential addresses for instruction-fetching and sequential data-transfer operations.   |
| PCTRL           | Program Controller                 | PCTRL decodes instruction, manages the pipeline, stores status, and decodes conditional operations.   |

**Table 10. Legend for the F240 Internal Hardware Functional Block Diagram (Continued)**

| <b>SYMBOL</b> | <b>NAME</b>             | <b>DESCRIPTION</b>   |
|---------------|-------------------------|--|
| PREG          | Product Register        | 32-bit register holds results of $16 \times 16$ multiply.  |
| PSCALE        | Product-Scaling Shifter | 0-, 1- or 4-bit left shift, or 6-bit right shift of multiplier product. The left-shift options are used to manage the additional sign bits resulting from the 2s-complement multiply. The right-shift option is used to scale down the number to manage overflow of product accumulation in the CALU. PSCALE resides in the path from the 32-bit product shifter and from either the CALU or the Data-Write Data Bus (DWEB), and requires no cycle overhead. |
| STACK         | Stack                   | STACK is a block of memory used for storing return addresses for subroutines and interrupt-service routines, or for storing data. The C20x stack is 16-bit wide and eight-level deep.  |
| TREG          | Temporary Register      | 16-bit register holds one of the operands for the multiply operations. TREG holds the dynamic shift count for the LACT, ADDT, and SUBT instructions. TREG holds the dynamic bit position for the BITT instruction.   |

# TMS320F240 DSP CONTROLLER

SPRS042E – OCTOBER 1996 – REVISED NOVEMBER 2002

## F240 DSP core CPU

The TMS320F240 device uses an advanced Harvard-type architecture that maximizes processing power by maintaining two separate memory bus structures — program and data — for full-speed execution. This multiple bus structure allows data and instructions to be read simultaneously. Instructions support data transfers between program memory and data memory. This architecture permits coefficients that are stored in program memory to be read in RAM, thereby eliminating the need for a separate coefficient that are ROM. This, coupled with a four-deep pipeline, allows the F240 device to execute most instructions in a single cycle.

### status and control registers

Two status registers, ST0 and ST1, contain the status of various conditions and modes. These registers can be stored into data memory and loaded from data memory, thereby allowing the status of the machine to be saved and restored for subroutines.

The load status register (LST) instruction is used to write to ST0 and ST1. The store status register (SST) instruction is used to read from ST0 and ST1 — except for the INTM bit, which is not affected by the LST instruction. The individual bits of these registers can be set or cleared when using the SETC and CLRC instructions. Figure 10 shows the organization of status registers ST0 and ST1, indicating all status bits contained in each. Several bits in the status registers are reserved and are read as logic 1s. Table 11 lists status register field definitions.

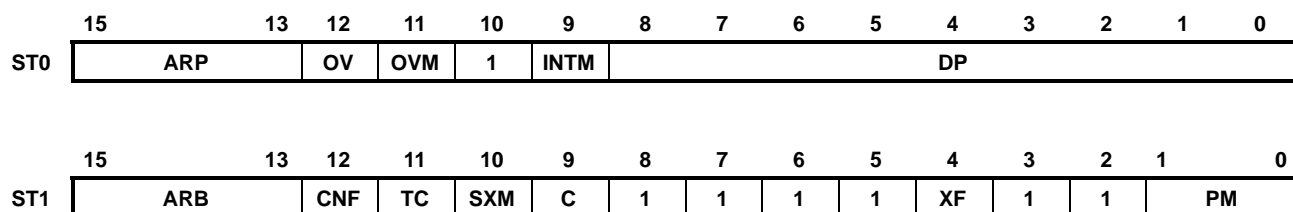


Figure 10. Status and Control Register Organization

Table 11. Status Register Field Definitions

| FIELD | FUNCTION   |
|-------|--|
| ARB   | Auxiliary register pointer buffer. When the ARP is loaded into ST0, the old ARP value is copied to the ARB except during an LST instruction. When the ARB is loaded by way of an LST #1 instruction, the same value is also copied to the ARP.   |
| ARP   | Auxiliary register (AR) pointer. ARP selects the AR to be used in indirect addressing. When the ARP is loaded, the old ARP value is copied to the ARB register. ARP can be modified by memory-reference instructions when using indirect addressing, and by the LARP, MAR, and LST instructions. The ARP is also loaded with the same value as ARB when an LST #1 instruction is executed.   |
| C     | Carry bit. C is set to 1 if the result of an addition generates a carry, or reset to 0 if the result of a subtraction generates a borrow. Otherwise, C is reset after an addition or set after a subtraction, except if the instruction is ADD or SUB with a 16-bit shift. In these cases, the ADD can only set and the SUB only reset the carry bit, but cannot affect it otherwise. The single bit shift and rotate instructions also affect C, as well as the SETC, CLRC, and LST #1 instructions. Branch instructions have been provided to branch on the status of C. C is set to 1 on a reset. |
| CNF   | On-chip RAM configuration control bit. If CNF is set to 0, the reconfigurable data dual-access RAM blocks are mapped to data space; otherwise, they are mapped to program space. The CNF can be modified by the SETC CNF, CLRC CNF, and LST #1 instructions. RS sets the CNF to 0.   |
| DP    | Data memory page pointer. The 9-bit DP register is concatenated with the seven LSBs of an instruction word to form a direct memory address of 16 bits. DP can be modified by the LST and LDP instructions.   |
| INTM  | Interrupt mode bit. When INTM is set to 0, all unmasked interrupts are enabled. When set to 1, all maskable interrupts are disabled. INTM is set and reset by the SETC INTM and CLRC INTM instructions. RS and IACK also set INTM. INTM has no effect on the unmaskable RS and NMI interrupts. Note that INTM is unaffected by the LST instruction. This bit is set to 1 by reset. It is also set to 1 when a maskable interrupt trap is taken.  |
| OV    | Overflow flag bit. As a latched overflow signal, OV is set to 1 when overflow occurs in the arithmetic logic unit (ALU). Once an overflow occurs, the OV remains set until a reset, BCND/D on OV/NOV, or LST instructions clear OV.  |





**status and control registers (continued)**

**Table 11. Status Register Field Definitions (Continued)**

| FIELD | FUNCTION  |
|-------|---|
| OVM   | Overflow mode bit. When OVM is set to 0, overflowed results overflow normally in the accumulator. When set to 1, the accumulator is set to either its most positive or negative value upon encountering an overflow. The SETC and CLRC instructions set and reset this bit, respectively. LST can also be used to modify the OVM.   |
| PM    | Product shift mode. If these two bits are 00, the multiplier's 32-bit product is loaded into the ALU with no shift. If PM = 01, the PREG output is left-shifted one place and loaded into the ALU, with the LSB zero-filled. If PM = 10, PREG output is left-shifted by four bits and loaded into the ALU, with the LSBs zero-filled. PM = 11 produces a right shift of six bits, sign-extended. Note that the PREG contents remain unchanged. The shift takes place when transferring the contents of the PREG to the ALU. PM is loaded by the SPM and LST #1 instructions. PM is cleared by $\overline{RS}$ . |
| SXM   | Sign-extension mode bit. SXM = 1 produces sign extension on data as it is passed into the accumulator through the scaling shifter. SXM = 0 suppresses sign extension. SXM does not affect the definitions of certain instructions; for example, the ADDS instruction suppresses sign extension regardless of SXM. SXM is set by the SETC SXM and reset by the CLRC SXM instructions, and can be loaded by the LST #1. SXM is set to 1 by reset.   |
| TC    | Test/control flag bit. TC is affected by the BIT, BITT, CMPR, LST #1, and NORM instructions. TC is set to a 1 if a bit tested by BIT or BITT is a 1, if a compare condition tested by CMPR exists between AR (ARP) and AR0, if the exclusive-OR function of the two MSBs of the accumulator is true when tested by a NORM instruction. The conditional branch, call, and return instructions can execute based on the condition of TC.  |
| XF    | XF pin status bit. XF indicates the state of the XF pin, a general-purpose output pin. XF is set by the SETC XF and reset by the CLRC XF instructions. XF is set to 1 by reset.   |

**central processing unit**

The TMS320F240 central processing unit (CPU) contains a 16-bit scaling shifter, a 16 x 16-bit parallel multiplier, a 32-bit central arithmetic logic unit (CALU), a 32-bit accumulator, and additional shifters at the outputs of both the accumulator and the multiplier. This section describes the CPU components and their functions. The functional block diagram shows the components of the CPU.

**input scaling shifter**

The TMS320F240 provides a scaling shifter with a 16-bit input connected to the data bus and a 32-bit output connected to the CALU. This shifter operates as part of the path of data coming from program or data space to the CALU and requires no cycle overhead. It is used to align the 16-bit data coming from memory to the 32-bit CALU. This is necessary for scaling arithmetic as well as aligning masks for logical operations.

The scaling shifter produces a left shift of 0 to 16 on the input data. The LSBs of the output are filled with zeros; the MSBs can either be filled with zeros or sign-extended, depending upon the value of the SXM bit (sign-extension mode) of status register ST1. The shift count is specified by a constant embedded in the instruction word or by a value in TREG. The shift count in the instruction allows for specific scaling or alignment operations specific to that point in the code. The TREG base shift allows the scaling factor to be adaptable to the system's performance.

**multiplier**

The TMS320F240 device uses a 16 x 16-bit hardware multiplier that is capable of computing a signed or an unsigned 32-bit product in a single machine cycle. All multiply instructions, except the MPYU (multiply unsigned) instruction, perform a signed multiply operation. That is, two numbers being multiplied are treated as 2s-complement numbers, and the result is a 32-bit 2s-complement number. Two registers are associated with the multiplier:

- 16-bit temporary register (TREG) that holds one of the operands for the multiplier
- 32-bit product register (PREG) that holds the product

Four product shift modes (PM) are available at the PREG output (PSCALE). These shift modes are useful for performing multiply/accumulate operations, performing fractional arithmetic, or justifying fractional products. The PM field of status register ST1 specifies the PM shift mode, as shown in Table 12.

*multiplier (continued)*

**Table 12. PSCALE Product Shift Modes**

| PM | SHIFT    | DESCRIPTION   |
|----|----------|---|
| 00 | No shift | Product feed to CALU or data bus with no shift  |
| 01 | Left 1   | Removes the extra sign bit generated in a 2s-complement multiply to produce a Q31 product   |
| 10 | Left 4   | Removes the extra 4 sign bits generated in a 16x13 2s-complement multiply to produce a Q31 product when using the multiply by a 13-bit constant |
| 11 | Right 6  | Scales the product to allow up to 128 product accumulation without the possibility of accumulator overflow                                      |

The product can be shifted one bit to compensate for the extra sign bit gained in multiplying two 16-bit 2s-complement numbers (MPY instruction). A four-bit shift is used in conjunction with the MPY instruction with a short immediate value (13 bits or less) to eliminate the four extra sign bits gained in multiplying a 16-bit number by a 13-bit number. Finally, the output of PREG can be right-shifted 6 bits to enable the execution of up to 128 consecutive multiply/accumulates without the possibility of overflow.

The LT (load TREG) instruction normally loads TREG to provide one operand (from the data bus), and the MPY (multiply) instruction provides the second operand (also from the data bus). A multiplication also can be performed with a 13-bit immediate operand when using the MPY instruction. Then a product is obtained every two cycles. When the code is executing multiple multiplies and product sums, the CPU supports the pipelining of the TREG load operations with CALU operations using the previous product. The pipeline operations that run in parallel with loading the TREG include: load ACC with PREG (LTP); add PREG to ACC (LTA); add PREG to ACC and shift TREG input data (DMOV) to next address in data memory (LTD); and subtract PREG from ACC (LTS).

Two multiply/accumulate instructions (MAC and MACD) fully utilize the computational bandwidth of the multiplier, allowing both operands to be processed simultaneously. The data for these operations can be transferred to the multiplier each cycle by way of the program and data buses. This facilitates single-cycle multiply/accumulates when used with the repeat (RPT) instruction. In these instructions, the coefficient addresses are generated by program address generation (PAGEN) logic, while the data addresses are generated by data address generation (DAGEN) logic. This allows the repeated instruction to access the values from the coefficient table sequentially and step through the data in any of the indirect addressing modes.

The MACD instruction, when repeated, supports filter constructs (weighted running averages) so that as the sum-of-products is executed, the sample data is shifted in memory to make room for the next sample and to throw away the oldest sample.

The MPYU instruction performs an unsigned multiplication, which greatly facilitates extended-precision arithmetic operations. The unsigned contents of TREG are multiplied by the unsigned contents of the addressed data memory location, with the result placed in PREG. This process allows the operands of greater than 16 bits to be broken down into 16-bit words and processed separately to generate products of greater than 32 bits. The SQRA (square/add) and SQRS (square/subtract) instructions pass the same value to both inputs of the multiplier for squaring a data memory value.

After the multiplication of two 16-bit numbers, the 32-bit product is loaded into the 32-bit product register (PREG). The product from PREG can be transferred to the CALU or to data memory by way of the SPH (store product high) and SPL (store product low). Note: the transfer of PREG to either the CALU or data bus passes through the PSCALE shifter, and therefore is affected by the product shift mode defined by PM. This is important when saving PREG in an interrupt-service-routine context save as the PSCALE shift effects cannot be modeled in the restore operation. PREG can be cleared by executing the MPY #0 instruction. The product register can be restored by loading the saved low half into TREG and executing a MPY #1 instruction. The high half, then, is loaded using the LPH instruction.

**central arithmetic logic unit**

The TMS320F240 central arithmetic logic unit (CALU) implements a wide range of arithmetic and logical functions, the majority of which execute in a single clock cycle. This ALU is referred to as central to differentiate it from a second ALU used for indirect-address generation called the auxiliary register arithmetic unit (ARAU). Once an operation is performed in the CALU, the result is transferred to the accumulator (ACC) where additional operations, such as shifting, can occur. Data that is input to the CALU can be scaled by ISCALE when coming from one of the data buses (DRDB or PRDB) or scaled by PSCALE when coming from the multiplier.

The CALU is a general-purpose arithmetic/logic unit that operates on 16-bit words taken from data memory or derived from immediate instructions. In addition to the usual arithmetic instructions, the CALU can perform Boolean operations, facilitating the bit manipulation ability required for a high-speed controller. One input to the CALU is always provided from the accumulator, and the other input can be provided from the product register (PREG) of the multiplier or the output of the scaling shifter (that has been read from data memory or from the ACC). After the CALU has performed the arithmetic or logical operation, the result is stored in the accumulator.

The TMS320F240 device supports floating-point operations for applications requiring a large dynamic range. The NORM (normalization) instruction is used to normalize fixed-point numbers contained in the accumulator by performing left shifts. The four bits of the TREG define a variable shift through the scaling shifter for the LACT/ADDT/SUBT (load/add to /subtract from accumulator with shift specified by TREG) instructions. These instructions are useful in floating-point arithmetic where a number needs to be denormalized — that is, floating-point to fixed-point conversion. They are also useful in execution of an automatic gain control (AGC) going into a filter. The BITT (bit test) instruction provides testing of a single bit of a word in data memory based on the value contained in the four LSBs of TREG.

The CALU overflow saturation mode can be enabled/disabled by setting/resetting the OVM bit of ST0. When the CALU is in the overflow saturation mode and an overflow occurs, the overflow flag is set and the accumulator is loaded with either the most positive or the most negative value representable in the accumulator, depending on the direction of the overflow. The value of the accumulator at saturation is 07FFFFFFh (positive) or 08000000h (negative). If the OVM (overflow mode) status register bit is reset and an overflow occurs, the overflowed results are loaded into the accumulator with modification. (Logical operations cannot result in overflow.)

The CALU can execute a variety of branch instructions that depend on the status of the CALU and the accumulator. These instructions can be executed conditionally based on any meaningful combination of these status bits. For overflow management, these conditions include the OV (branch on overflow) and EQ (branch on accumulator equal to zero). In addition, the BACC (branch to address in accumulator) instruction provides the ability to branch to an address specified by the accumulator (computed goto). Bit test instructions (BIT and BITT), which do not affect the accumulator, allow the testing of a specified bit of a word in data memory.

The CALU also has an associated carry bit that is set or reset depending on various operations within the device. The carry bit allows more efficient computation of extended-precision products and additions or subtractions. It also is useful in overflow management. The carry bit is affected by most arithmetic instructions as well as the single-bit shift and rotate instructions. It is not affected by loading the accumulator, logical operations, or other such non-arithmetic or control instructions.

The ADDC (add to accumulator with carry) and SUBB (subtract from accumulator with borrow) instructions use the previous value of carry in their addition/subtraction operation.

The one exception to the operation of the carry bit is in the use of ADD with a shift count of 16 (add to high accumulator) and SUB with a shift count of 16 (subtract from high accumulator) instructions. This case of the ADD instruction can set the carry bit only if a carry is generated, and this case of the SUB instruction can reset the carry bit only if a borrow is generated; otherwise, neither instruction affects it.

# TMS320F240 DSP CONTROLLER

SPRS042E – OCTOBER 1996 – REVISED NOVEMBER 2002

---

## **central arithmetic logic unit (continued)**

Two conditional operands, C and NC, are provided for branching, calling, returning, and conditionally executing, based upon the status of the carry bit. The SETC, CLRC, and LST #1 instructions also can be used to load the carry bit. The carry bit is set to one on a hardware reset.

## **accumulator**

The 32-bit accumulator is the registered output of the CALU. It can be split into two 16-bit segments for storage in data memory. Shifters at the output of the accumulator provide a left shift of 0 to 7 places. This shift is performed while the data is being transferred to the data bus for storage. The contents of the accumulator remain unchanged. When the post-scaling shifter is used on the high word of the accumulator (bits 16–31), the MSBs are lost and the LSBs are filled with bits shifted in from the low word (bits 0–15). When the post-scaling shifter is used on the low word, the LSBs are zero-filled.

The SFL and SFR (in-place one-bit shift to the left/right) instructions and the ROL and ROR (rotate to the left/right) instructions implement shifting or rotating of the contents of the accumulator through the carry bit. The SXM bit affects the definition of the SFR (shift accumulator right) instruction. When SXM = 1, SFR performs an arithmetic right shift, maintaining the sign of the accumulator data. When SXM = 0, SFR performs a logical shift, shifting out the LSBs and shifting in a zero for the MSB. The SFL (shift accumulator left) instruction is not affected by the SXM bit and behaves the same in both cases, shifting out the MSB and shifting in a zero. Repeat (RPT) instructions can be used with the shift and rotate instructions for multiple-bit shifts.

## **auxiliary registers and auxiliary-register arithmetic unit (ARAU)**

The F240 provides a register file containing eight auxiliary registers (AR0–AR7). The auxiliary registers are used for indirect addressing of the data memory or for temporary data storage. Indirect auxiliary-register addressing allows placement of the data memory address of an instruction operand into one of the auxiliary registers. These registers are referenced with a 3-bit auxiliary register pointer (ARP) that is loaded with a value from 0 through 7, designating AR0 through AR7, respectively. The auxiliary registers and the ARP can be loaded from data memory, the ACC, the product register, or by an immediate operand defined in the instruction. The contents of these registers also can be stored in data memory or used as inputs to the CALU.

The auxiliary register file (AR0–AR7) is connected to the ARAU. The ARAU can autoindex the current auxiliary register while the data memory location is being addressed. Indexing either by  $\pm 1$  or by the contents of the AR0 register can be performed. As a result, accessing tables of information does not require the CALU for address manipulation; therefore, the CALU is free for other operations in parallel.

## **internal memory**

The TMS320F240 device is configured with the following memory modules:

- Dual-access random-access memory (DARAM)
- Flash EEPROM

## **dual-access RAM (DARAM)**

There are 544 words  $\times$  16 bits of DARAM on the F240 device. The F240 DARAM allows writes to and reads from the RAM in the same cycle. The DARAM is configured in three blocks: block 0 (B0), block 1 (B1), and block 2 (B2). Block 1 contains 256 words and block 2 contains 32 words, and both blocks are located only in data memory space. Block 0 contains 256 words, and can be configured to reside in either data or program memory space.

The SETC CNF (configure B0 as data memory) and CLRC CNF (configure B0 as program memory) instructions allow dynamic configuration of the memory maps through software. When using block 0 as program memory, instructions can be downloaded from external program memory into on-chip RAM and then executed. When using on-chip RAM, or high-speed external memory, the F240 runs at full speed with no wait states. The ability of the DARAM to allow two accesses to be performed in one cycle coupled with the parallel nature of the F240



**dual-access RAM (DARAM) (continued)**

architecture enables the device to perform three concurrent memory accesses in any given machine cycle. Externally, the READY line can be used to interface the F240 to slower, less expensive external memory. Downloading programs from slow off-chip memory to on-chip RAM can speed processing while cutting system costs.

**flash EEPROM**

Flash EEPROM provides an attractive alternative to masked program ROM. Like ROM, flash is nonvolatile; however, it has the advantage of “in-target” reprogrammability. The TMS320F240 incorporates one 16K × 16-bit flash EEPROM module in program space. This type of memory expands the capabilities of the TMS320F240 in the areas of prototyping, early field-testing, and single-chip applications.

Unlike most discrete flash memory, the F240 flash does not require a dedicated state machine, because the algorithms for programming and erasing the flash are executed by the DSP core. This enables several advantages, including: reduced chip size and sophisticated, adaptive algorithms. For production programming, the IEEE Standard 1149.1† (JTAG) scan port provides easy access to the on-chip RAM for downloading the algorithms and flash code. Other key features of the flash include zero-wait-state access rate and single 5-V power supply.

An erased bit in the TMS320F240 flash is read as a logic 1, and a programmed bit is read as a logic 0. The flash requires a block-erase of the entire 16K module; however, any combination of bits can be programmed. The following four algorithms are required for flash operations: clear, erase, flash-write, and program. For an explanation of these algorithms and a complete description of the flash EEPROM, see the *TMS320F20x/F24x DSP Embedded Flash Memory Technical Reference* (literature number SPRU282).

**flash serial loader**

The on-chip flash is shipped with a serial bootloader code programmed at the following addresses: 0x0000–0x00FFh. All other flash addresses are in an erased state. The serial bootloader can be used to program the on-chip Flash memory with user's code. During the Flash programming sequence, the on-chip data RAM is used to load and execute the clear, erase, and program algorithms.

**flash control mode register**

The flash control mode register is located at I/O address FF0Fh. This register offers two options: register access mode and array access mode. Register access mode gives access to the four control registers in the memory space decoded for the flash module. These registers are used to control erasing, programming, and testing of the flash array. Register access mode is enabled by activating an OUT command with dummy data.

The OUT *xxxx*, FF0Fh instruction makes the flash registers accessible for reads and/or writes. After executing OUT *xxxx*, FF0Fh, the flash control registers are accessed in the memory space decoded for the flash module and the flash array cannot be accessed. The four registers are repeated every four address locations within the flash module's decoded range.

After completing all the necessary reads and/or writes to the control registers, an IN *xxxx*, FF0Fh instruction (with dummy data) is executed to place the flash array back in array access mode. After executing the IN *xxxx*, FF0Fh instruction, the flash array is accessed in the decoded space and the flash registers are not available. Switching between the register access mode and the array access mode is done by issuing the IN and OUT instructions. The memory content in these instructions (denoted by *xxxx*) is not relevant. Refer to the *TMS320F20x/F24x DSP Embedded Flash Memory Technical Reference* (literature number SPRU282) for a detailed description of the flash programming algorithms.

† IEEE Standard 1149.1–1990, IEEE Standard Test-Access Port

# TMS320F240

## DSP CONTROLLER

SPRS042E – OCTOBER 1996 – REVISED NOVEMBER 2002

---

### peripherals

The integrated peripherals of the TMS320F240 are described in the following subsections:

- External memory interface
- Event manager (EV)
- Dual analog-to-digital converter (ADC)
- Serial peripheral interface (SPI)
- Serial communications interface (SCI)
- Watchdog timer (WD)

### external memory interface

The TMS320F240 can address up to 64K words  $\times$  16 bits of memory or registers in each of the program, data, and I/O spaces. On-chip memory, when enabled, removes some of this off-chip range. In data space, the high 32K words can be mapped dynamically as either local or global using the GREG register. A data-memory access mapped as global asserts  $\overline{\text{BR}}$  low (with timing similar to the address bus).

The CPU of the TMS320F240 schedules a program fetch, data read, and data write on the same machine cycle. This is because, from on-chip memory, the CPU can execute all three of these operations in the same cycle. However, the external interface multiplexes the internal buses to one address and one data bus. The external interface sequences these operations to complete the data write first, then the data read, and finally the program read.

The F240 supports a wide range of system interfacing requirements. Program, data, and I/O address spaces provide interface to memory and I/O, maximizing system throughput. The full 16-bit address and data bus, along with the  $\overline{\text{PS}}$ ,  $\overline{\text{DS}}$ , and  $\overline{\text{IS}}$  space-select signals allow addressing of 64K 16-bit words in program and I/O space. Due to the on-chip peripherals, external data space is addressable to 32K 16-bit words.

I/O design is simplified by having I/O treated the same way as memory. I/O devices are mapped into the I/O address space using the processor's external address and data buses in the same manner as memory-mapped devices.

The F240 external parallel interface provides control signals to facilitate interfacing to the device. The  $\text{R}/\overline{\text{W}}$  output signal is provided to indicate whether the current cycle is a read or a write. The  $\overline{\text{STRB}}$  output signal provides a timing reference for all external cycles.

Interface to memory and I/O devices of varying speeds is accomplished by using the READY input. When transactions are made with slower devices, the F240 processor waits until the other device completes its function and signals the processor by way of the READY input. Once a ready indication is provided from the external device, execution continues. On the F240 device, the READY input must be driven (active high) to complete reads or writes to internal data I/O-memory-mapped registers and all external addresses.

The bus request ( $\overline{\text{BR}}$ ) signal is used in conjunction with the other F240 interface signals to arbitrate external global-memory accesses. Global memory is external data-memory space in which the  $\overline{\text{BR}}$  signal is asserted at the beginning of the access. When an external global-memory device receives the bus request, it responds by asserting the ready signal after the global-memory access is arbitrated and the global access is completed.

The TMS320F240 supports zero-wait-state reads on the external interface. However, to avoid bus conflicts, writes take two cycles. This allows the F240 to buffer the transition of the data bus from input to output (or output to input) by a half cycle. In most systems, TMS320F240 ratio of reads to writes is significantly large to minimize the overhead of the extra cycle on writes.

Wait states can be generated when accessing slower external resources. The wait states operate on machine-cycle boundaries and are initiated either by using the ready signal or using the software wait-state generator. Ready can be used to generate any number of wait states.



**event-manager (EV) module**

The event-manager module includes general-purpose (GP) timers, full compare units, capture units, and quadrature-encoder pulse (QEP) circuits. Figure 11 shows the functions of the event manager.

**general-purpose (GP) timers**

There are three GP timers on the TMS320F240. The GP timer x (for x = 1, 2, 3) includes:

- A 16-bit timer up-, up/down-counter, TxCNT for reads or writes
- A 16-bit timer-compare register (double-buffered with shadow register), TxCMPR for reads or writes
- A 16-bit timer-period register (double-buffered with shadow register), TxPR for reads or writes
- A 16-bit timer-control register, TxCON for reads or writes
- Selectable internal or external input clocks
- A programmable prescaler for internal or external clock inputs
- Control and interrupt logic for four maskable interrupts: underflow, overflow, timer compare, and period interrupts
- A timer-compare output pin with configurable active-low and active-high states, as well as forced-low and forced-high states.
- A selectable direction (TMRDIR) input pin (to count up or down when directional up-/down-count mode is selected)

The GP timers can be operated independently or synchronized with each other. A 32-bit GP timer also can be configured using GP timer 2 and 3. The compare register associated with each GP timer can be used for compare function and PWM-waveform generation. There are two single and three continuous modes of operation for each GP timer in up- or up/down-counting operations. Internal or external input clocks with programmable prescaler is used for each GP timer. The state of each GP timer/compare output is configurable by the general-purpose timer-control register (GPTCON). GP timers also provide the time base for the other event-manager submodules: GP timer 1 for all the compares and PWM circuits, GP timer 1 or 2 for the simple compares to generate additional compare or PWMs, GP timer 2 or 3 for the capture units and the quadrature-pulse counting operations.

Double buffering of the period and compare registers allows programmable change of the timer (PWM) period and the compare/PWM pulse width as needed.

# TMS320F240 DSP CONTROLLER

SPRS042E – OCTOBER 1996 – REVISED NOVEMBER 2002

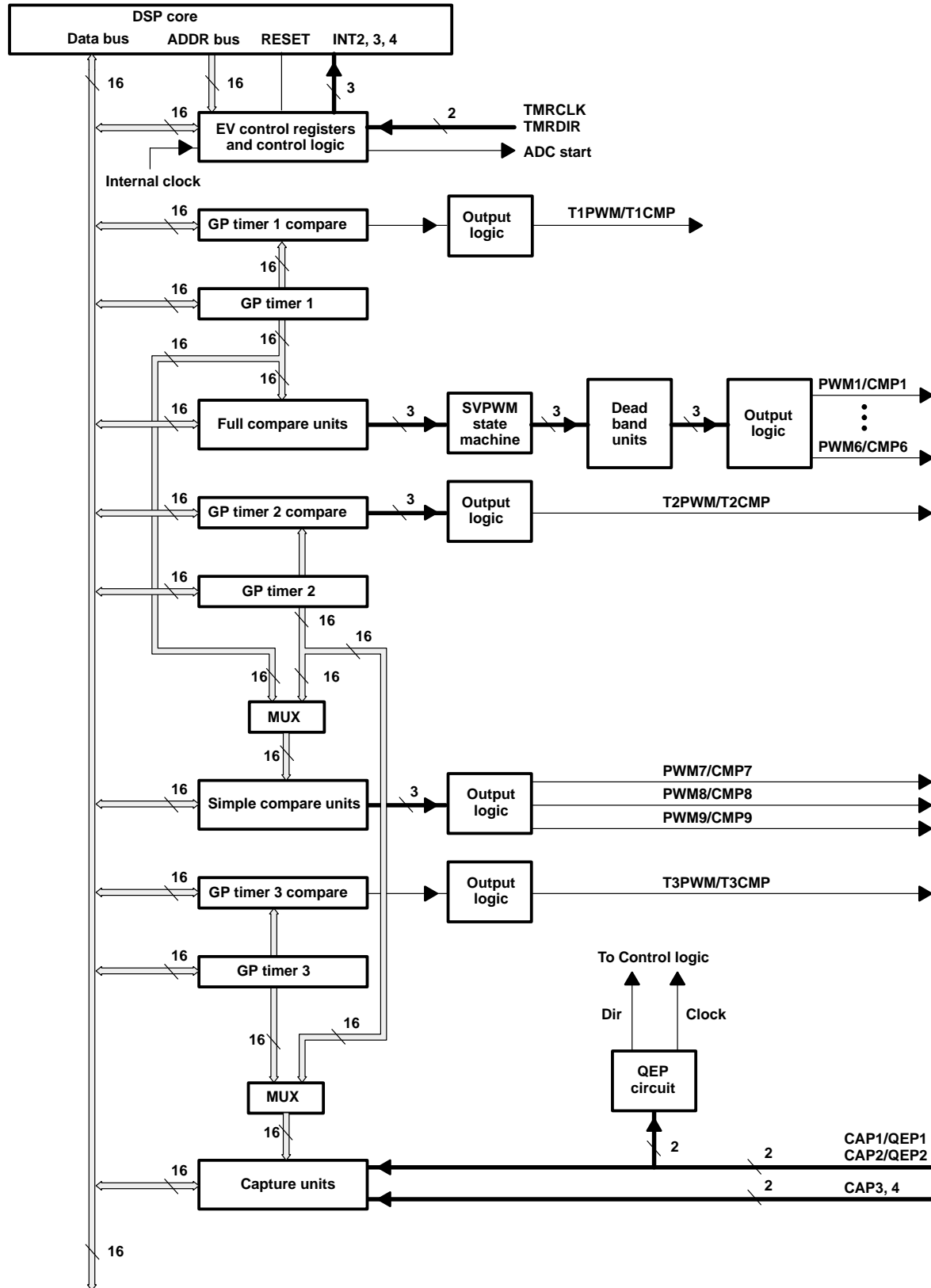


Figure 11. Event-Manager Block Diagram





**full compare units**

There are three full compare units on TMS320F240. These compare units use GP timer1 as the timebase and generate six outputs for compare and PWM-waveform generation using programmable deadband circuit. The state of each of the six outputs is configured independently. The compare registers of the compare units are double-buffered, allowing programmable change of the compare/PWM pulse widths as needed.

**programmable-deadband generator**

The deadband generator circuit includes three 8-bit counters and an 8-bit compare register. Desired deadband value (from 0 to 102  $\mu$ s) can be programmed into the compare register for the outputs of the three compare units. The deadband generation can be enabled/disabled for each compare unit output individually. The deadband-generator circuit produces two outputs (with or without deadband zone) for each compare unit output signal. The output states of the deadband generator are configurable and changeable as needed by way of the double-buffered ACTR register.

**simple compares**

TMS320F240 is equipped with three simple compares that can be used to generate three additional independent compare or high-precision PWM waveforms. GP timer1 or 2 can be selected as the timebase for the three simple compares. The states of the outputs of the three simple compares are configurable as low-active, high-active, forced-low, or forced-high independently. Simple compare registers are double-buffered, allowing programmable change of the compare/PWM pulse widths as needed. The state of the simple-compare outputs is configurable and changeable as needed by way of the double-buffered SACTR register.

**compare/PWM waveform generation**

Up to 12 compare and/or PWM waveforms (outputs) can be generated simultaneously by TMS320F240: three independent pairs (six outputs) by the three full compare units with *programmable deadbands*, three independent compares or PWMs (three outputs) by the simple compares, and three independent compare and PWMs (three outputs) by the GP-timer compares.

**compare/PWMs characteristics**

Characteristics of the compare/PWMs are as follow:

- 16-bit, 50-ns resolutions
- Programmable deadband for the PWM output pairs, from 0 to 102  $\mu$ s
- Minimum deadband width of 50 ns
- Change of the PWM carrier frequency for PWM frequency wobbling as needed
- Change of the PWM pulse widths within and after each PWM period as needed
- External maskable power and drive-protection interrupts
- Pulse-pattern-generator circuit, for programmable generation of asymmetric, symmetric, and four-space vector PWM waveforms
- Minimized CPU overhead using auto-reload of the compare and period registers

**capture unit**

The capture unit provides a logging function for different events or transitions. The values of the GP timer 2 counter and/or GP timer 3 counter are captured and stored in the two-level first-in first-out (FIFO) stacks when selected transitions are detected on capture input pins, CAPx for x = 1, 2, 3, or 4. The capture unit of the TMS320F240 consists of four capture circuits.

# TMS320F240

## DSP CONTROLLER

SPRS042E – OCTOBER 1996 – REVISED NOVEMBER 2002

---

### **capture unit (continued)**

- The capture unit includes the following features:
  - One 16-bit capture-control register, CAPCON, for reads or writes
  - One 16-bit capture-FIFO status register, CAPFIFO, with eight MSBs for read-only operations, and eight LSBs for write-only operations
  - Optional selection of GP timer 2 and/or GP timer 3 through two 16-bit multiplexers (MUXs). One MUX selects a GP timer for capture circuits 3 and 4, and the other MUX selects a GP timer for capture circuits 1 and 2.
  - Four 16 bit x 2 FIFO stack registers, one two-level FIFO stack register per capture circuit. The top register of each stack is a read-only register, FIFOx, where x = 1, 2, 3, or 4.
  - Four capture-input pins (CAPx, x = 1 to 4) with one input pin per capture unit
  - The input pins CAP1 and CAP2 also can be used as inputs to the QEP circuit.
  - User-specified edge-detection mode at the input pins
  - Four maskable interrupts/flags, CAPINTx, where x = 1, 2, 3, or 4

### **quadrature-encoder pulse (QEP) circuit**

Two capture inputs (CAP1 and CAP2) can be used to interface the on-chip QEP circuit with a quadrature encoder pulse. Full synchronization of these inputs is performed on-chip. Direction or leading-quadrature pulse sequence is detected, and GP timer 2 or 3 is incremented or decremented by the rising and falling edges of the two input signals (four times the frequency of either input pulse).

### **analog-to-digital converter (ADC) module**

A simplified functional block diagram of the ADC module is shown in Figure 12. The ADC module consists of two 10-bit ADCs with two built-in sample-and-hold (S/H) circuits. A total of 16 analog input channels is available on the TMS320F240. Eight analog inputs are provided for each ADC unit by way of an 8-to-1 analog multiplexer. Minimum total conversion time for each ADC unit is 6.1  $\mu$ s. Total accuracy for each converter is  $\pm 1.5$  LSB. Reference voltage for the ADC module needs to be supplied externally through the two reference pins, V<sub>REFHI</sub> and V<sub>REFLO</sub>. The digital result is expressed as:

$$\text{Digital Value} = 1023 \times \frac{\text{Input Analog Voltage} - V_{\text{REFLO}}}{V_{\text{REFHI}} - V_{\text{REFLO}}}$$

Functions of the ADC module include:

- Two input channels (one for each ADC unit) that can be sampled and converted simultaneously
- Each ADC unit can perform single or continuous S/H and conversion operations.
- Two 2-level-deep FIFO result registers for ADC units 1 and 2
- ADC module (both A/D converters) can start operation by software instruction, external signal transition on a device pin, or by event-manager events on each of the GP timer/compare output and the capture 4 pins.
- The ADC control register is double-buffered (with shadow register) and can be written to at any time. A new conversion of ADC can start immediately or when the previous conversion process is completed according to the control register bits.
- At the end of each conversion, an interrupt flag is set and an interrupt is generated if it is unmasked/enabled.

analog-to-digital converter (ADC) module (continued)

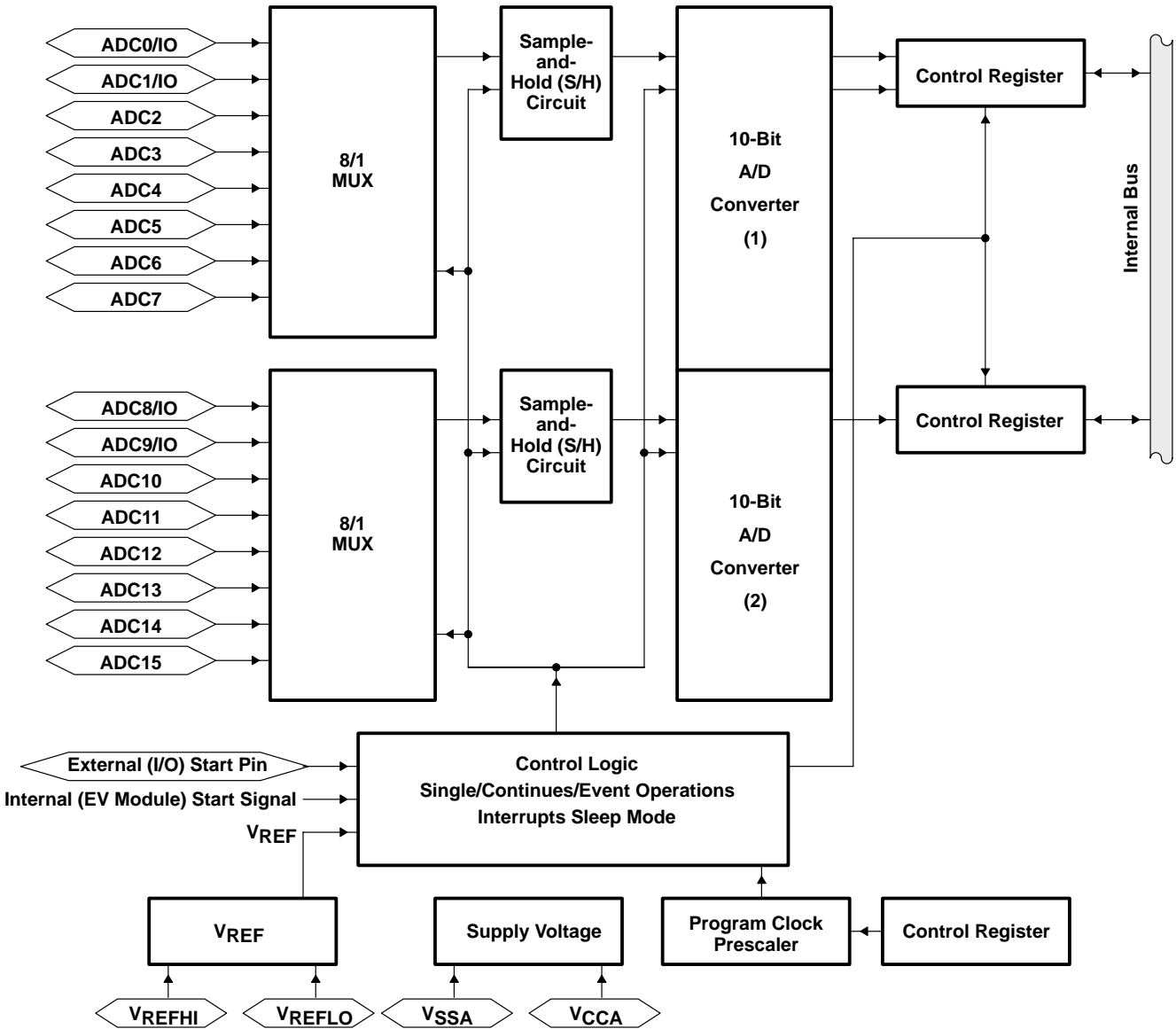


Figure 12. Analog-to-Digital Converter Module

# TMS320F240

## DSP CONTROLLER

SPRS042E – OCTOBER 1996 – REVISED NOVEMBER 2002

---

### serial peripheral interface (SPI) module

The TMS320F240 device includes the four-pin serial peripheral interface (SPI) module. The SPI is a high-speed synchronous serial-I/O port that allows a serial bit stream of programmed length (one to eight bits) to be shifted into and out of the device at a programmable bit-transfer rate. Normally, the SPI is used for communications between the DSP controller and external peripherals or another processor. Typical applications include external I/O or peripheral expansion through devices such as shift registers, display drivers, and ADCs. Multidevice communications are supported by the master/slave operation of the SPI.

The SPI module features include the following:

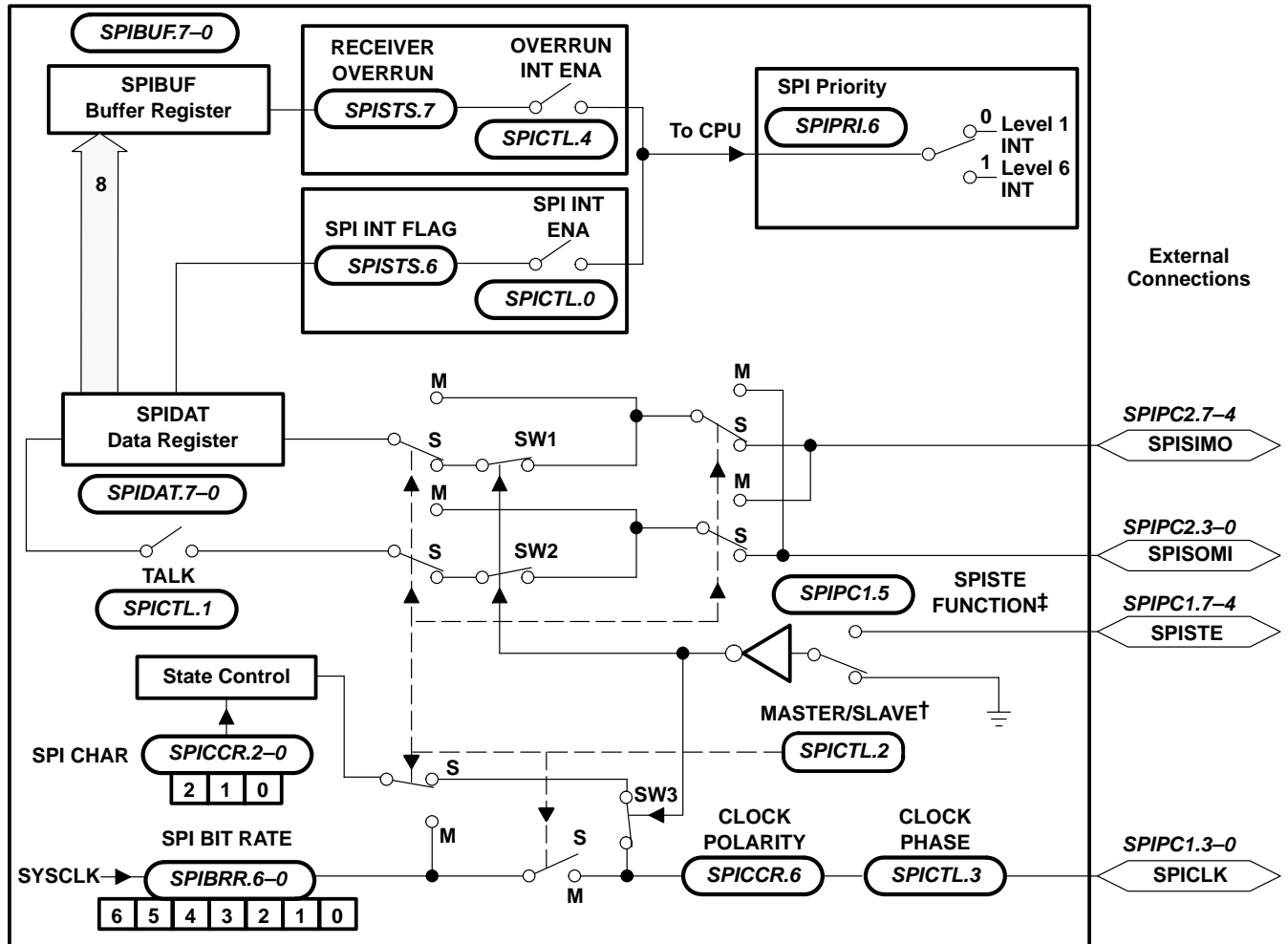
- Four external pins:
  - SPISOMI: SPI slave-output/master-input pin, or general-purpose bidirectional I/O pin
  - SPISIMO: SPI slave-input/master-output pin, or general-purpose bidirectional I/O pin
  - SPISTE: SPI slave-transmit-enable pin, or general-purpose bidirectional I/O pin
  - SPICLK: SPI serial-clock pin, or general-purpose bidirectional I/O pin
- Two operational modes: master and slave
- Baud rate: 125 different programmable rates / 2.5 Mbps at 10-MHz SYSCLK
- Data word format: one to eight data bits
- Four clocking schemes controlled by clock polarity and clock-phase bits include:
  - Falling edge without phase delay: SPICLK active high. SPI transmits data on the falling edge of the SPICLK signal and receives data on the rising edge of the SPICLK signal.
  - Falling edge with phase delay: SPICLK active high. SPI transmits data one half-cycle ahead of the falling edge of the SPICLK signal and receives data on the falling edge of the SPICLK signal.
  - Rising edge without phase delay: SPICLK inactive low. SPI transmits data on the rising edge of the SPICLK signal and receives data on the falling edge of the SPICLK signal.
  - Rising edge with phase delay: SPICLK inactive low. SPI transmits data one half-cycle ahead of the falling edge of the SPICLK signal and receives data on the rising edge of the SPICLK signal.
- Simultaneous receive and transmit operations (transmit function can be disabled in software)
- Transmitter and receiver operations are accomplished through either interrupt-driven or polled algorithms.
- Ten SPI module control registers: Located in control register frame beginning at address 7040h.

NOTE: All registers in this module are 8-bit registers that are connected to the 16-bit peripheral bus. When a register is accessed, the register data is in the lower byte (7–0), and the upper byte (15–8) is read as zeros. Writing to the upper byte has no effect.

Figure 13 is a block diagram of the SPI in slave mode.



serial peripheral Interface (SPI) module (continued)



† The diagram is shown in the slave mode.

‡ The SPISTE pin is shown as being disabled, meaning that data cannot be transmitted in this mode. Note that SW1, SW2, and SW3 are closed in this configuration.

Figure 13. Four-Pin Serial Peripheral Interface Module Block Diagram†

# TMS320F240 DSP CONTROLLER

SPRS042E – OCTOBER 1996 – REVISED NOVEMBER 2002

---

## serial communications interface (SCI) module

The TMS320F240 device includes a serial communications interface (SCI) module. The SCI module supports digital communications between the CPU and other asynchronous peripherals that use the standard non-return-to-zero (NRZ) format. The SCI receiver and transmitter are double-buffered, and each has its own separate enable and interrupt bits. Both can be operated independently or simultaneously in the full-duplex mode. To ensure data integrity, the SCI checks received data for break detection, parity, overrun, and framing errors. The bit rate (baud) is programmable to over 65000 different speeds through a 16-bit baud-select register. Features of the SCI module include:

- Two external pins
  - SCITXD: SCI transmit-output pin or general-purpose bidirectional I/O pin
  - SCIRXD: SCI receive-input pin or general-purpose bidirectional I/O pin
- Baud rate programmable to 64K different rates
  - Up to 625 Kbps at 10-MHz SYSCLK
- Data word format
  - One start bit
  - Data word length programmable from one to eight bits
  - Optional even/odd/no parity bit
  - One or two stop bits
- Four error-detection flags: parity, overrun, framing, and break detection
- Two wake-up multiprocessor modes: idle-line and address bit
- Half- or full-duplex operation
- Double-buffered receive and transmit functions
- Transmitter and receiver operations can be accomplished through interrupt-driven or polled algorithms with status flags.
  - Transmitter: TXRDY flag (transmitter-buffer register is ready to receive another character) and TX EMPTY flag (transmitter-shift register is empty)
  - Receiver: RXRDY flag (receiver-buffer register is ready to receive another character), BRKDT flag (break condition occurred), and RX ERROR (monitoring four interrupt conditions)
- Separate enable bits for transmitter and receiver interrupts (except BRKDT)
- NRZ (non return-to-zero) format
- Eleven SCI module control registers located in the control register frame beginning at address 7050h

NOTE: All registers in this module are 8-bit registers that are interfaced to the 16-bit peripheral bus. When a register is accessed, the register data is in the lower byte (7–0), and the upper byte (15–8) is read as zeros. Writing to the upper byte has no effect.

Figure 14 shows the SCI module block diagram.

serial communications interface (SCI) module (continued)

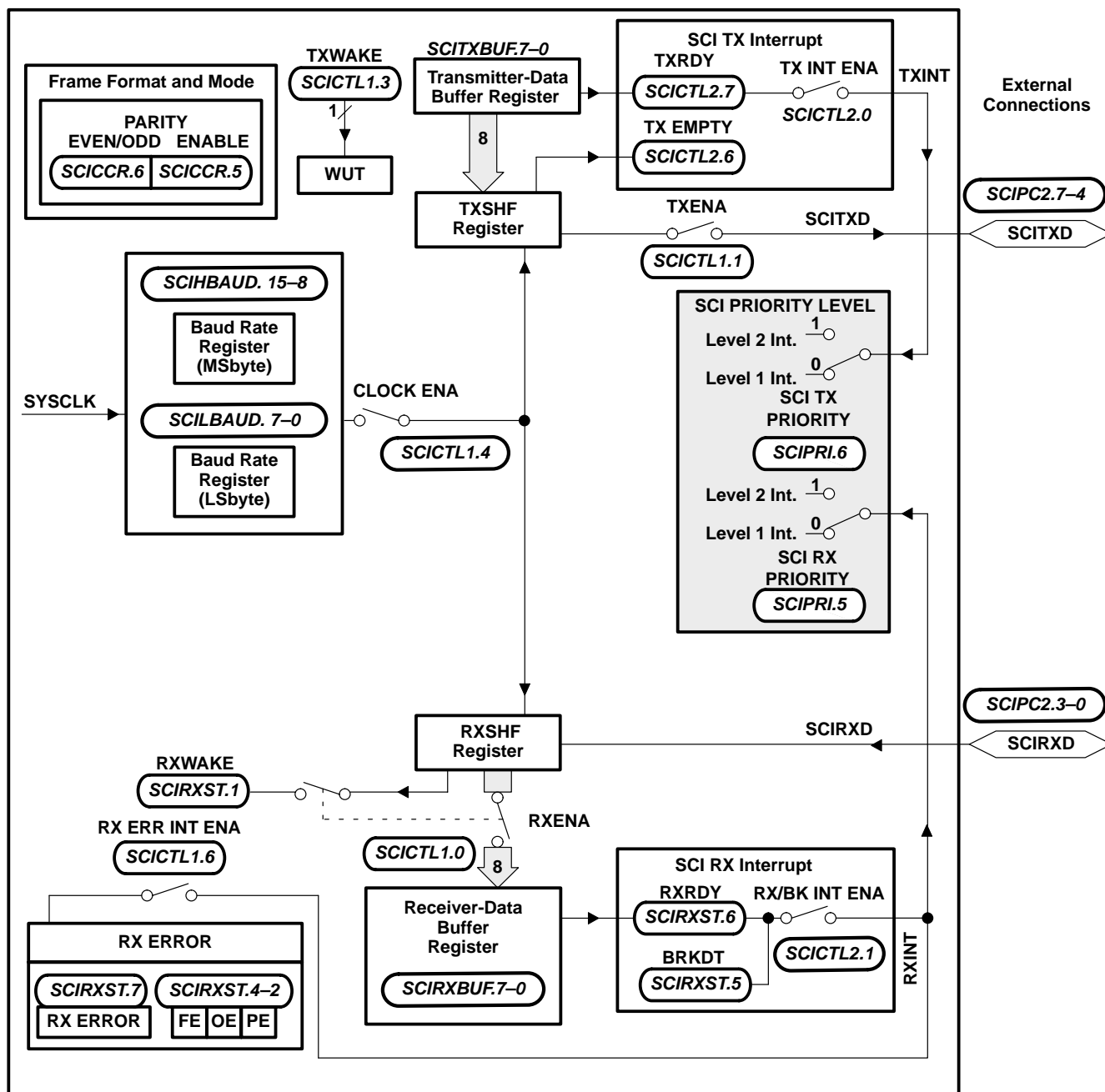


Figure 14. Serial Communications Interface (SCI) Module Block Diagram

# TMS320F240 DSP CONTROLLER

SPRS042E – OCTOBER 1996 – REVISED NOVEMBER 2002

---

## watchdog (WD) and real-time interrupt (RTI) module

The TMS320F240 device includes a watchdog (WD) timer and a real-time interrupt (RTI) module. The WD function of this module monitors software and hardware operation by generating a system reset if it is not periodically serviced by software by having the correct key written. The RTI function provides interrupts at programmable intervals. See Figure 15 for a block diagram of the WD/RTI module. The WD/RTI module features include the following:

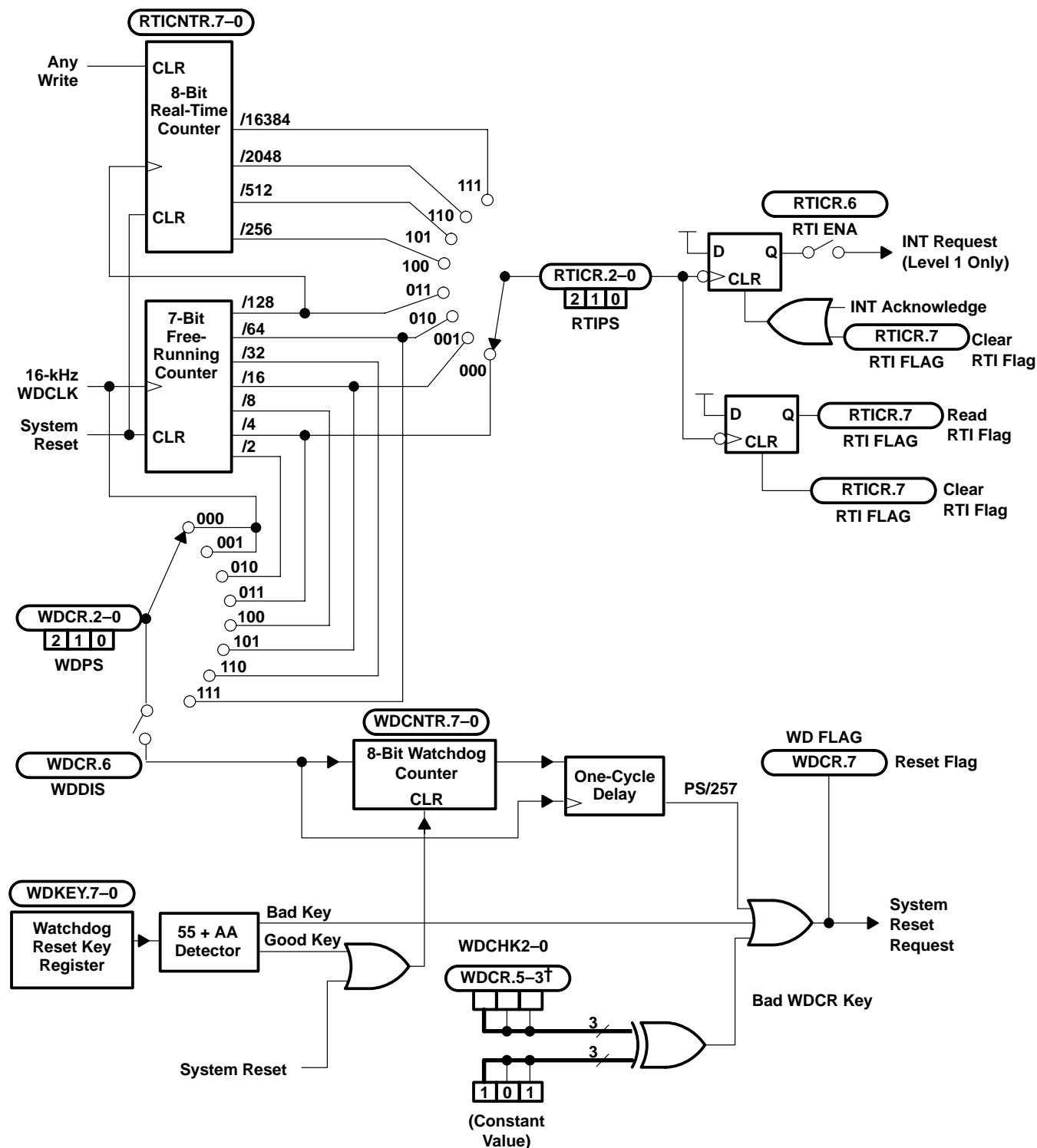
- WD Timer
  - Seven different WD overflow rates ranging from 15.63 ms to 1 s
  - A WD-reset key (WDKEY) register that clears the WD counter when a correct value is written, and generates a system reset if an incorrect value is written to the register
  - A WD flag (WD FLAG) that indicates whether the WD timer initiated a system reset
  - WD check bits that initiate a system reset if an incorrect value is written to the WD control register (WDCR)
- Automatic activation of the WD timer, once system reset is released
  - Three WD control registers located in control register frame beginning at address 7020h.
- Real-time interrupt (RTI):
  - Interrupt generation at a programmable frequency of 1 to 4096 interrupts per second
  - Interrupt or polled operation
  - Two RTI control registers located in control register frame beginning at address 7020h.

NOTE: All registers in this module are 8-bit registers that are connected to the 16-bit peripheral bus. When a register is accessed, the register data is in the lower byte (7–0), and the upper byte (15–8) is read as zeros. Writing to the upper byte has no effect.

Figure 15 shows the WD/RTI block diagram.



watchdog (WD) and real-time interrupt (RTI) module (continued)



† Writing to bits WDCR.5-3 with anything but the correct pattern (101) generates a system reset.

Figure 15. WD/RTI Module Block Diagram

# TMS320F240 DSP CONTROLLER

SPRS042E – OCTOBER 1996 – REVISED NOVEMBER 2002

---

## scan-based emulation

TMS320F240 device uses scan-based emulation for code- and hardware-development support. Serial scan interface is provided by the test-access port. Scan-based emulation allows the emulator to control the processor in the system without the use of intrusive cables to the full pinout of the device.

## TMS320F240 instruction set

The F240 microprocessor implements a comprehensive instruction set that supports both numeric-intensive signal-processing operations and general-purpose applications, such as multiprocessing and high-speed control. Source code for the C1x and C2x DSPs is upwardly compatible with the x2xx devices.

For maximum throughput, the next instruction is prefetched while the current one is being executed. Because the same data lines are used to communicate to external data, program, or I/O space, the number of cycles an instruction requires to execute varies, depending upon whether the next data operand fetch is from internal or external memory. Highest throughput is achieved by maintaining data memory on chip and using either internal or fast external program memory.

## addressing modes

The TMS320F240 instruction set provides four basic memory-addressing modes: direct, indirect, immediate, and register.

In direct addressing, the instruction word contains the lower seven bits of the data memory address. This field is concatenated with the nine bits of the data memory page pointer (DP) to form the 16-bit data memory address. Therefore, in the direct-addressing mode, data memory is paged effectively with a total of 512 pages, each page containing 128 words.

Indirect addressing accesses data memory through the auxiliary registers. In this addressing mode, the address of the instruction operand is contained in the currently selected auxiliary register. Eight auxiliary registers (AR0–AR7) provide flexible and powerful indirect addressing. To select a specific auxiliary register, the auxiliary register pointer (ARP) is loaded with a value from 0 to 7 for AR0 through AR7, respectively.

There are seven types of indirect addressing: autoincrement or autodecrement, postindexing by adding or subtracting the contents of AR0, single-indirect addressing with no increment or decrement, and bit-reversed addressing [used in Fast Fourier Transforms (FFTs)] with increment or decrement. All operations are performed on the current auxiliary register in the same cycle as the original instruction, following which the current auxiliary register and ARP can be modified.

In immediate addressing, the actual operand data is provided in a portion of the instruction word or words. There are two types of immediate addressing: long and short. In short-immediate addressing, the data is contained in a portion of the bits in a single-word instruction. In long-immediate addressing, the data is contained in the second word of a two-word instruction. The immediate-addressing mode is useful for data that does not need to be stored or used more than once during the course of program execution (for example, initialization values or constants).

The register-addressing mode uses operands in CPU registers either explicitly, such as with a direct reference to a specific register, or implicitly, with instructions that intrinsically reference certain registers. In either case, operand reference is simplified because 16-bit values can be used without specifying a full 16-bit operand address or immediate value.



**repeat feature**

The repeat function can be used with instructions (as defined in Table 14) such as multiply/accumulates (MAC and MACD), block moves (BLDD and BLPD), I/O transfers (IN/OUT), and table read/writes (TBLR/TBLW). These instructions, although normally multicyle, are pipelined when the repeat feature is used, and they effectively become single-cycle instructions. For example, the table-read instruction can take three or more cycles to execute, but when the instruction is repeated, a table location can be read every cycle.

The repeat counter (RPTC) is loaded with the addressed data-memory location if direct or indirect addressing is used, and with an 8-bit immediate value if short-immediate addressing is used. The RPTC register is loaded by the RPT instruction. This results in a maximum of  $N + 1$  executions of a given instruction. RPTC is cleared by reset. Once a repeat instruction (RPT) is decoded, all interrupts, including NMI (but excluding reset), are masked until the completion of the repeat loop.

**instruction set summary**

This section summarizes the operation codes (opcodes) of the instruction set for the F240 digital signal processors. This instruction set is a superset of the C1x and C2x instruction sets. The instructions are arranged according to function and are alphabetized by mnemonic within each category. The symbols in Table 13 are used in the instruction set summary table (Table 14). The TI C2xx assembler accepts C2x instructions.

The number of words that an instruction occupies in program memory is specified in column 3 of Table 14. Several instructions specify two values separated by a slash mark (/) for the number of words. In these cases, different forms of the instruction occupy a different number of words. For example, the ADD instruction occupies one word when the operand is a short-immediate value or two words if the operand is a long-immediate value.

The number of cycles that an instruction requires to execute is also in column 3 of Table 14. All instructions are assumed to be executed from internal program memory (RAM) and internal data dual-access memory. The cycle timings are for single-instruction execution, not for repeat mode.

# TMS320F240 DSP CONTROLLER

SPRS042E – OCTOBER 1996 – REVISED NOVEMBER 2002

## instruction set summary (continued)

**Table 13. TMS320F240 Opcode Symbols**

| SYMBOL    | DESCRIPTION   |                              |   |         |   |   |                             |   |   |      |   |   |      |   |   |                              |
|-----------|---|------------------------------|---|---------|---|---|-----------------------------|---|---|------|---|---|------|---|---|------------------------------|
| A         | Address   |                              |   |         |   |   |                             |   |   |      |   |   |      |   |   |                              |
| ACC       | Accumulator   |                              |   |         |   |   |                             |   |   |      |   |   |      |   |   |                              |
| ACCB      | Accumulator buffer  |                              |   |         |   |   |                             |   |   |      |   |   |      |   |   |                              |
| ARx       | Auxiliary register value (0–7)  |                              |   |         |   |   |                             |   |   |      |   |   |      |   |   |                              |
| BITx      | 4-bit field that specifies which bit to test for the BIT instruction  |                              |   |         |   |   |                             |   |   |      |   |   |      |   |   |                              |
| BMAR      | Block-move address register   |                              |   |         |   |   |                             |   |   |      |   |   |      |   |   |                              |
| DBMR      | Dynamic bit-manipulation register   |                              |   |         |   |   |                             |   |   |      |   |   |      |   |   |                              |
| I         | Addressing-mode bit   |                              |   |         |   |   |                             |   |   |      |   |   |      |   |   |                              |
| II...II   | Immediate operand value   |                              |   |         |   |   |                             |   |   |      |   |   |      |   |   |                              |
| INTM      | Interrupt-mode flag bit   |                              |   |         |   |   |                             |   |   |      |   |   |      |   |   |                              |
| INTR#     | Interrupt vector number   |                              |   |         |   |   |                             |   |   |      |   |   |      |   |   |                              |
| K         | Constant  |                              |   |         |   |   |                             |   |   |      |   |   |      |   |   |                              |
| PREG      | Product register  |                              |   |         |   |   |                             |   |   |      |   |   |      |   |   |                              |
| PROG      | Program memory  |                              |   |         |   |   |                             |   |   |      |   |   |      |   |   |                              |
| RPTC      | Repeat counter  |                              |   |         |   |   |                             |   |   |      |   |   |      |   |   |                              |
| SHF, SHFT | 3/4-bit shift value   |                              |   |         |   |   |                             |   |   |      |   |   |      |   |   |                              |
| TC        | Test-control bit  |                              |   |         |   |   |                             |   |   |      |   |   |      |   |   |                              |
|           | Two bits used by the conditional execution instructions to represent the conditions TC, NTC, and BIO.   |                              |   |         |   |   |                             |   |   |      |   |   |      |   |   |                              |
| T P       | <table border="0"> <tr> <td>T</td> <td>P</td> <td>Meaning</td> </tr> <tr> <td>0</td> <td>0</td> <td><math>\overline{\text{BIO}}</math> low</td> </tr> <tr> <td>0</td> <td>1</td> <td>TC=1</td> </tr> <tr> <td>1</td> <td>0</td> <td>TC=0</td> </tr> <tr> <td>1</td> <td>1</td> <td>None of the above conditions</td> </tr> </table>   | T                            | P | Meaning | 0 | 0 | $\overline{\text{BIO}}$ low | 0 | 1 | TC=1 | 1 | 0 | TC=0 | 1 | 1 | None of the above conditions |
| T         | P   | Meaning                      |   |         |   |   |                             |   |   |      |   |   |      |   |   |                              |
| 0         | 0   | $\overline{\text{BIO}}$ low  |   |         |   |   |                             |   |   |      |   |   |      |   |   |                              |
| 0         | 1   | TC=1                         |   |         |   |   |                             |   |   |      |   |   |      |   |   |                              |
| 1         | 0   | TC=0                         |   |         |   |   |                             |   |   |      |   |   |      |   |   |                              |
| 1         | 1   | None of the above conditions |   |         |   |   |                             |   |   |      |   |   |      |   |   |                              |
| TREGn     | Temporary register n (n = 0, 1, or 2)   |                              |   |         |   |   |                             |   |   |      |   |   |      |   |   |                              |
| Z L V C   | <p>4-bit field representing the following conditions:</p> <p>Z: ACC = 0<br/>L: ACC &lt; 0<br/>V: Overflow<br/>C: Carry</p> <p>A conditional instruction contains two of these 4-bit fields. The 4-LSB field of the instruction is a 4-bit mask field. A 1 in the corresponding mask bit indicates that the condition is being tested. The second 4-bit field (bits 4–7) indicates the state of the conditions designated by the mask bits as being tested. For example, to test for <math>\text{ACC} \geq 0</math>, the Z and L fields are set while the V and C fields are not set. The next 4-bit field contains the state of the conditions to test. The Z field is set to indicate testing of the condition <math>\text{ACC} = 0</math>, and the L field is reset to indicate testing of the condition <math>\text{ACC} \geq 0</math>. The conditions possible with these 8 bits are shown in the BCND and CC instructions. To determine if the conditions are met, the 4-LSB bit mask is ANDed with the conditions. If any bits are set, the conditions are met.</p> |                              |   |         |   |   |                             |   |   |      |   |   |      |   |   |                              |



**instruction set summary (continued)**

**Table 14. TMS320F240 Instruction Set Summary**

| F240<br>MNEMONIC | DESCRIPTION   | WORDS/<br>CYCLES | OPCODE |      |      |                         |
|------------------|---|------------------|--------|------|------|-------------------------|
|                  |   |                  | MSB    |      |      | LSB                     |
| ABS              | Absolute value of accumulator                         | 1/1              | 1011   | 1110 | 0000 | 0000                    |
| ADD              | Add to accumulator with shift                         | 1/1              | 0010   | SHFT | IADD | RESS                    |
|                  | Add to high accumulator                               | 1/1              | 0110   | 0001 | IADD | RESS                    |
|                  | Add to accumulator short immediate                    | 1/1              | 1011   | 1000 | KKKK | KKKK                    |
|                  | Add to accumulator long immediate with shift          | 2/2              | 1011   | 1111 | 1001 | SHFT                    |
| ADDC             | Add to accumulator with carry                         | 1/1              | 0110   | 0000 | IADD | RESS                    |
| ADDS             | Add to low accumulator with sign extension suppressed | 1/1              | 0110   | 0010 | IADD | RESS                    |
| ADDT             | Add to accumulator with shift specified by T register | 1/1              | 0110   | 0011 | IADD | RESS                    |
| ADRK             | Add to auxiliary register short immediate             | 1/1              | 0111   | 1000 | KKKK | KKKK                    |
| AND              | AND with accumulator                                  | 1/1              | 0110   | 1110 | IADD | RESS                    |
|                  | AND immediate with accumulator with shift             | 2/2              | 1011   | 1111 | 1011 | SHFT<br>16-Bit Constant |
|                  | AND immediate with accumulator with shift of 16       | 2/2              | 1011   | 1110 | 1000 | 0001<br>16-Bit Constant |
| APAC             | Add P register to accumulator                         | 1/1              | 1011   | 1110 | 0000 | 0100                    |
| B                | Branch unconditionally                                | 2/4              | 0111   | 1001 | IADD | RESS<br>Branch Address  |
| BACC             | Branch to address specified by accumulator            | 1/4              | 1011   | 1110 | 0010 | 0000                    |
| BANZ             | Branch on auxiliary register not zero                 | 2/4/2            | 0111   | 1011 | IADD | RESS<br>Branch Address  |
| BCND             | Branch if TC bit $\neq$ 0                             | 2/4/2            | 1110   | 0001 | 0000 | 0000<br>Branch Address  |
|                  | Branch if TC bit = 0                                  | 2/4/2            | 1110   | 0010 | 0000 | 0000<br>Branch Address  |
|                  | Branch on carry                                       | 2/4/2            | 1110   | 0011 | 0001 | 0001<br>Branch Address  |
|                  | Branch if accumulator $\geq$ 0                        | 2/4/2            | 1110   | 0011 | 1000 | 1100<br>Branch Address  |
|                  | Branch if accumulator $>$ 0                           | 2/4/2            | 1110   | 0011 | 0000 | 0100<br>Branch Address  |
|                  | Branch on I/O status low                              | 2/4/3            | 1110   | 0000 | 0000 | 0000<br>Branch Address  |
|                  | Branch if accumulator $\leq$ 0                        | 2/4/2            | 1110   | 0011 | 1100 | 1100<br>Branch Address  |
|                  | Branch if accumulator $<$ 0                           | 2/4/2            | 1110   | 0011 | 0100 | 0100<br>Branch Address  |
|                  | Branch on no carry                                    | 2/4/2            | 1110   | 0011 | 0000 | 0001<br>Branch Address  |
|                  | Branch if no overflow                                 | 2/4/2            | 1110   | 0011 | 0000 | 0010<br>Branch Address  |

# TMS320F240 DSP CONTROLLER

SPRS042E – OCTOBER 1996 – REVISED NOVEMBER 2002

## instruction set summary (continued)

**Table 14. TMS320F240 Instruction Set Summary (Continued)**

| F240<br>MNEMONIC | DESCRIPTION  | WORDS/<br>CYCLES | OPCODE |      |      |                         |
|------------------|--|------------------|--------|------|------|-------------------------|
|                  |  |                  | MSB    |      |      | LSB                     |
| BCND             | Branch if accumulator $\neq$ 0                                   | 2/4/2            | 1110   | 0011 | 0000 | 1000<br>Branch Address  |
|                  | Branch on overflow   | 2/4/2            | 1110   | 0011 | 0010 | 0010<br>Branch Address  |
|                  | Branch if accumulator = 0  | 2/4/2            | 1110   | 0011 | 1000 | 1000<br>Branch Address  |
| BIT              | Test bit   | 1/1              | 0100   | BITx | IADD | RESS                    |
| BITT             | Test bit specified by TREG                                       | 1/1              | 0110   | 1111 | IADD | RESS                    |
| BLDD†            | Block move from data memory to data memory source immediate      | 2/3              | 1010   | 1000 | IADD | RESS<br>Branch Address  |
|                  | Block move from data memory to data memory destination immediate | 2/3              | 1010   | 1001 | IADD | RESS<br>Branch Address  |
| BLPD             | Block move from program memory to data memory                    | 2/3              | 1010   | 0101 | IADD | RESS<br>Branch Address  |
| CALA             | Call subroutine indirect   | 1/4              | 1011   | 1110 | 0011 | 0000                    |
| CALL             | Call subroutine  | 2/4              | 0111   | 1010 | IADD | RESS<br>Routine Address |
| CC               | Conditional call subroutine                                      | 2/4/2            | 1110   | 10TP | ZLVC | ZLVC<br>Routine Address |
| CLRC             | Configure block as data memory                                   | 1/1              | 1011   | 1110 | 0100 | 0100                    |
|                  | Enable interrupt   | 1/1              | 1011   | 1110 | 0100 | 0000                    |
|                  | Reset carry bit  | 1/1              | 1011   | 1110 | 0100 | 1110                    |
|                  | Reset overflow mode  | 1/1              | 1011   | 1110 | 0100 | 0010                    |
|                  | Reset sign-extension mode  | 1/1              | 1011   | 1110 | 0100 | 0110                    |
|                  | Reset test/control flag  | 1/1              | 1011   | 1110 | 0100 | 1010                    |
|                  | Reset external flag  | 1/1              | 1011   | 1110 | 0100 | 1100                    |
| CMPL             | Complement accumulator   | 1/1              | 1011   | 1110 | 0000 | 0001                    |
| CMPR             | Compare auxiliary register with auxiliary register ARO           | 1/1              | 1011   | 1111 | 0100 | 01CM                    |
| DMOV             | Data move in data memory   | 1/1              | 0111   | 0111 | IADD | RESS                    |
| IDLE             | Idle until interrupt   | 1/1              | 1011   | 1110 | 0010 | 0010                    |
| IN               | Input data from port   | 2/2              | 1010   | 1111 | IADD | RESS                    |
|                  |  |                  | 16BIT  | I/O  | PORT | ADRS                    |
| INTR             | Software-interrupt   | 1/4              | 1011   | 1110 | 011K | KKKK                    |
| LACC             | Load accumulator with shift                                      | 1/1              | 0001   | SHFT | IADD | RESS                    |
|                  | Load accumulator long immediate with shift                       | 2/2              | 1011   | 1111 | 1000 | SHFT<br>16-Bit Constant |
|                  | Zero low accumulator and load high accumulator                   | 1/1              | 0110   | 1010 | IADD | RESS                    |

† In x240 devices, the BLDD instruction does not work with memory-mapped registers IMR, IFR, and GREG.



instruction set summary (continued)

**Table 14. TMS320F240 Instruction Set Summary (Continued)**

| F240<br>MNEMONIC | DESCRIPTION  | WORDS/<br>CYCLES | OPCODE |      |      |                             |
|------------------|--|------------------|--------|------|------|-----------------------------|
|                  |  |                  | MSB    |      |      | LSB                         |
| LACL             | Load accumulator immediate short                                     | 1/1              | 1011   | 1001 | KKKK | KKKK                        |
|                  | Zero accumulator   | 1/1              | 1011   | 1001 | 0000 | 0000                        |
|                  | Zero low accumulator and load high accumulator                       | 1/1              | 0110   | 1010 | IADD | RESS                        |
|                  | Zero low accumulator and load low accumulator with no sign extension | 1/1              | 0110   | 1001 | IADD | RESS                        |
| LACT             | Load accumulator with shift specified by T register                  | 1/1              | 0110   | 1011 | IADD | RESS                        |
| LAR              | Load auxiliary register  | 1/2              | 0000   | 0ARx | IADD | RESS                        |
|                  | Load auxiliary register short immediate                              | 1/2              | 1011   | 0ARx | KKKK | KKKK                        |
|                  | Load auxiliary register long immediate                               | 2/2              | 1011   | 1111 | 0000 | 1ARx<br>16-Bit Constant     |
| LDP              | Load data-memory page pointer  | 1/2              | 0000   | 1101 | IADD | RESS                        |
|                  | Load data-memory page pointer immediate                              | 1/2              | 1011   | 110P | AGEP | OINT                        |
| LPH              | Load high-P register   | 1/1              | 0111   | 0101 | IADD | RESS                        |
| LST              | Load status register ST0   | 1/2              | 0000   | 1110 | IADD | RESS                        |
|                  | Load status register ST1   | 1/2              | 0000   | 1111 | IADD | RESS                        |
| LT               | Load TREG  | 1/1              | 0111   | 0011 | IADD | RESS                        |
| LTA              | Load TREG and accumulate previous product                            | 1/1              | 0111   | 0000 | IADD | RESS                        |
| LTD              | Load TREG, accumulate previous product, and move data                | 1/1              | 0111   | 0010 | IADD | RESS                        |
| LTP              | Load TREG and store P register in accumulator                        | 1/1              | 0111   | 0001 | IADD | RESS                        |
| LTS              | Load TREG and subtract previous product                              | 1/1              | 0111   | 0100 | IADD | RESS                        |
| MAC              | Multiply and accumulate  | 2/3              | 1010   | 0010 | IADD | RESS<br>16-Bit Constant     |
| MACD             | Multiply and accumulate with data move                               | 2/3              | 1010   | 0011 | IADD | RESS<br>16-Bit Constant     |
| MAR              | Load auxiliary register pointer                                      | 1/1              | 1000   | 1011 | 1000 | 1ARx                        |
|                  | Modify auxiliary register  | 1/1              | 1000   | 1011 | IADD | RESS                        |
| MPY              | Multiply (with TREG, store product in P register)                    | 1/1              | 0101   | 0100 | IADD | RESS                        |
|                  | Multiply immediate   | 1/1              | 110C   | KKKK | KKKK | KKKK                        |
| MPYA             | Multiply and accumulate previous product                             | 1/1              | 0101   | 0000 | IADD | RESS                        |
| MPYS             | Multiply and subtract previous product                               | 1/1              | 0101   | 0001 | IADD | RESS                        |
| MPYU             | Multiply unsigned  | 1/1              | 0101   | 0101 | IADD | RESS                        |
| NEG              | Negate accumulator   | 1/1              | 1011   | 1110 | 0000 | 0010                        |
| NMI              | Nonmaskable interrupt  | 1/4              | 1011   | 1110 | 0101 | 0010                        |
| NOP              | No operation   | 1/1              | 1000   | 1011 | 0000 | 0000                        |
| NORM             | Normalize contents of accumulator                                    | 1/1              | 1010   | 0000 | IADD | RESS                        |
| OR               | OR with accumulator  | 1/1              | 0110   | 1101 | IADD | RESS                        |
|                  | OR immediate with accumulator with shift                             | 2/2              | 1011   | 1111 | 1100 | SHFT<br>16-Bit Constant     |
|                  | OR immediate with accumulator with shift of 16                       | 2/2              | 1011   | 1110 | 1000 | 0010<br>16-Bit Constant     |
| OUT              | Output data to port  | 2/3              | 0000   | 1100 | IADD | RESS<br>16BIT I/O PORT ADRS |
| PAC              | Load accumulator with P register                                     | 1/1              | 1011   | 1110 | 0000 | 0011                        |

# TMS320F240 DSP CONTROLLER

SPRS042E – OCTOBER 1996 – REVISED NOVEMBER 2002

## instruction set summary (continued)

**Table 14. TMS320F240 Instruction Set Summary (Continued)**

| F240<br>MNEMONIC | DESCRIPTION   | WORDS/<br>CYCLES | OPCODE |      |      |                         |
|------------------|---|------------------|--------|------|------|-------------------------|
|                  |   |                  | MSB    |      |      | LSB                     |
| POP              | Pop top of stack to low accumulator                   | 1/1              | 1011   | 1110 | 0011 | 0010                    |
| POPD             | Pop top of stack to data memory                       | 1/1              | 1000   | 1010 | IADD | RESS                    |
| PSHD             | Push data-memory value onto stack                     | 1/1              | 0111   | 0110 | IADD | RESS                    |
| PUSH             | Push low accumulator onto stack                       | 1/1              | 1011   | 1110 | 0011 | 1100                    |
| RET              | Return from subroutine                                | 1/4              | 1110   | 1111 | 0000 | 0000                    |
| RETC             | Conditional return from subroutine                    | 1/4/2            | 1110   | 11TP | ZLVC | ZLVC                    |
| ROL              | Rotate accumulator left                               | 1/1              | 1011   | 1110 | 0000 | 1100                    |
| ROR              | Rotate accumulator right                              | 1/1              | 1011   | 1110 | 0000 | 1101                    |
| RPT              | Repeat instruction as specified by data-memory value  | 1/1              | 0000   | 1011 | IADD | RESS                    |
|                  | Repeat instruction as specified by immediate value    | 1/1              | 1011   | 1011 | KKKK | KKKK                    |
| SACH             | Store high accumulator with shift                     | 1/1              | 1001   | 1SHF | IADD | RESS                    |
| SACL             | Store low accumulator with shift                      | 1/1              | 1001   | 0SHF | IADD | RESS                    |
| SAR              | Store auxiliary register                              | 1/1              | 1000   | 0ARx | IADD | RESS                    |
| SBRK             | Subtract from auxiliary register short immediate      | 1/1              | 0111   | 1100 | KKKK | KKKK                    |
| SETC             | Set carry bit   | 1/1              | 1011   | 1110 | 0100 | 1111                    |
|                  | Configure block as program memory                     | 1/1              | 1011   | 1110 | 0100 | 0101                    |
|                  | Disable interrupt                                     | 1/1              | 1011   | 1110 | 0100 | 0001                    |
|                  | Set overflow mode                                     | 1/1              | 1011   | 1110 | 0100 | 0011                    |
|                  | Set test/control flag                                 | 1/1              | 1011   | 1110 | 0100 | 1011                    |
|                  | Set external flag XF                                  | 1/1              | 1011   | 1110 | 0100 | 1101                    |
|                  | Set sign-extension mode                               | 1/1              | 1011   | 1110 | 0100 | 0111                    |
| SFL              | Shift accumulator left                                | 1/1              | 1011   | 1110 | 0000 | 1001                    |
| SFR              | Shift accumulator right                               | 1/1              | 1011   | 1110 | 0000 | 1010                    |
| SPAC             | Subtract P register from accumulator                  | 1/1              | 1011   | 1110 | 0000 | 0101                    |
| SPH              | Store high-P register                                 | 1/1              | 1000   | 1101 | IADD | RESS                    |
| SPL              | Store low-P register                                  | 1/1              | 1000   | 1100 | IADD | RESS                    |
| SPM              | Set P register output shift mode                      | 1/1              | 1011   | 1111 | IADD | RESS                    |
| SQRA             | Square and accumulate                                 | 1/1              | 0101   | 0010 | IADD | RESS                    |
| SQRS             | Square and subtract previous product from accumulator | 1/1              | 0101   | 0011 | IADD | RESS                    |
| SST              | Store status register ST0                             | 1/1              | 1000   | 1110 | IADD | RESS                    |
|                  | Store status register ST1                             | 1/1              | 1000   | 1111 | IADD | RESS                    |
| SPLK             | Store long immediate to data memory                   | 2/2              | 1010   | 1110 | IADD | RESS<br>16-Bit Constant |
| SUB              | Subtract from accumulator long immediate with shift   | 2/2              | 1011   | 1111 | 1010 | SHFT<br>16-Bit Constant |
|                  | Subtract from accumulator with shift                  | 1/1              | 0011   | SHFT | IADD | RESS                    |
|                  | Subtract from high accumulator                        | 1/1              | 0110   | 0101 | IADD | RESS                    |
|                  | Subtract from accumulator short immediate             | 1/1              | 1011   | 1010 | KKKK | KKKK                    |





**instruction set summary (continued)**

**Table 14. TMS320F240 Instruction Set Summary (Continued)**

| F240<br>MNEMONIC | DESCRIPTION  | WORDS/<br>CYCLES | OPCODE |      |      |                         |
|------------------|--|------------------|--------|------|------|-------------------------|
|                  |  |                  | MSB    |      |      | LSB                     |
| SUBB             | Subtract from accumulator with borrow                        | 1/1              | 0110   | 0100 | IADD | RESS                    |
| SUBC             | Conditional subtract   | 1/1              | 0000   | 1010 | IADD | RESS                    |
| SUBS             | Subtract from low accumulator with sign extension suppressed | 1/1              | 0110   | 0110 | IADD | RESS                    |
| SUBT             | Subtract from accumulator with shift specified by TREG       | 1/1              | 0110   | 0111 | IADD | RESS                    |
| TBLR             | Table read   | 1/3              | 1010   | 0110 | IADD | RESS                    |
| TBLW             | Table write  | 1/3              | 1010   | 0111 | IADD | RESS                    |
| TRAP             | Software interrupt   | 1/4              | 1011   | 1110 | 0101 | 0001                    |
| XOR              | Exclusive-OR with accumulator                                | 1/1              | 0110   | 1100 | IADD | RESS                    |
|                  | Exclusive-OR immediate with accumulator with shift           | 2/2              | 1011   | 1111 | 1101 | SHFT<br>16-Bit Constant |
|                  | Exclusive-OR immediate with accumulator with shift of 16     | 2/2              | 1011   | 1110 | 1000 | 0011<br>16-Bit Constant |
| ZALR             | Zero low accumulator and load high accumulator with rounding | 1/1              | 0110   | 1000 | IADD | RESS                    |

**development support**

Texas Instruments offers an extensive line of development tools for the x240 generation of DSPs, including tools to evaluate the performance of the processors, generate code, develop algorithm implementations, and fully integrate and debug software and hardware modules.

The following products support development of x240-based applications:

**Software Development Tools:**

- Assembler/Linker
- Simulator
- Optimizing ANSI C compiler
- Application algorithms
- C/Assembly debugger and code profiler

**Hardware Development Tools:**

- Emulator XDS510 (supports x240 multiprocessor system debug)

See Table 15 and Table 16 for complete listings of development-support tools for the F240. For information on pricing and availability, contact the nearest TI field sales office or authorized distributor.

# TMS320F240 DSP CONTROLLER

SPRS042E – OCTOBER 1996 – REVISED NOVEMBER 2002

## development support (continued)

**Table 15. Development Support Tools**

| DEVELOPMENT TOOL                           | PLATFORM         | PART NUMBER    |
|--|------------------|----------------|
| <b>Software – Code Generation Tools</b>    |                  |                |
| Assembler/Linker                           | PC™, Windows™ 95 | TMDS3242850-02 |
| C Compiler/Assembler/Linker                | PC, Windows 95   | TMDS3242855-02 |
| <b>Software – Emulation Debug Tools</b>    |                  |                |
| LF2407 eZdsp™                              | PC               | TMDS3P761119   |
| Code Composer 4.12, Code Generation 7.0    | PC               | TMDS324012xx   |
| <b>Hardware – Emulation Debug Tools</b>    |                  |                |
| XDS510XL™ Board (ISA card), w/JTAG cable   | PC               | TMDS00510      |
| XDS510PP™ Pod (Parallel Port) w/JTAG cable | PC               | TMDS00510PP    |

**Table 16. TMS320F240-Specific Development Tools**

| DEVELOPMENT TOOL                          | PLATFORM                    | PART NUMBER  |
|---|-----------------------------|--------------|
| <b>Hardware – Evaluation/Starter Kits</b> |                             |              |
| TMS320LF2407A EVM                         | PC, Windows 95, Windows™ 98 | TMDX3P701016 |
| TMS320F240 EVM                            | PC                          | TMDX326P124X |
| TMS320F243 EVM                            | PC, Windows 95              | TMDS3P604030 |

## device and development-support tool nomenclature

To designate the stages in the product development cycle, Texas Instruments assigns prefixes to the part numbers of all TMS320™ DSP devices and support tools. Each TMS320 member has one of three prefixes: TMX, TMP, or TMS. Texas Instruments recommends two of three possible prefix designators for its support tools: TMDX and TMDS. These prefixes represent evolutionary stages of product development from engineering prototypes (TMX/TMDX) through fully qualified production devices/tools (TMS/TMDS). This development flow is defined below.

Device development evolutionary flow:

- TMX** Experimental device that is not necessarily representative of the final device's electrical specifications
- TMP** Final silicon die that conforms to the device's electrical specifications but has not completed quality and reliability verification
- TMS** Fully qualified production device

Support tool development evolutionary flow:

- TMDX** Development support product that has not completed TI's internal qualification testing
- TMDS** Fully qualified development-support product

TMX and TMP devices and TMDX development-support tools are shipped against the following disclaimer:

"Developmental product is intended for internal evaluation purposes."

XDS510XL, XDS510PP, and TMS320 are trademarks of Texas Instruments.

PC is a trademark of International Business Machines Corp.

Windows is a registered trademark of Microsoft Corporation.

eZdsp is a trademark of Spectrum Digital, Inc.

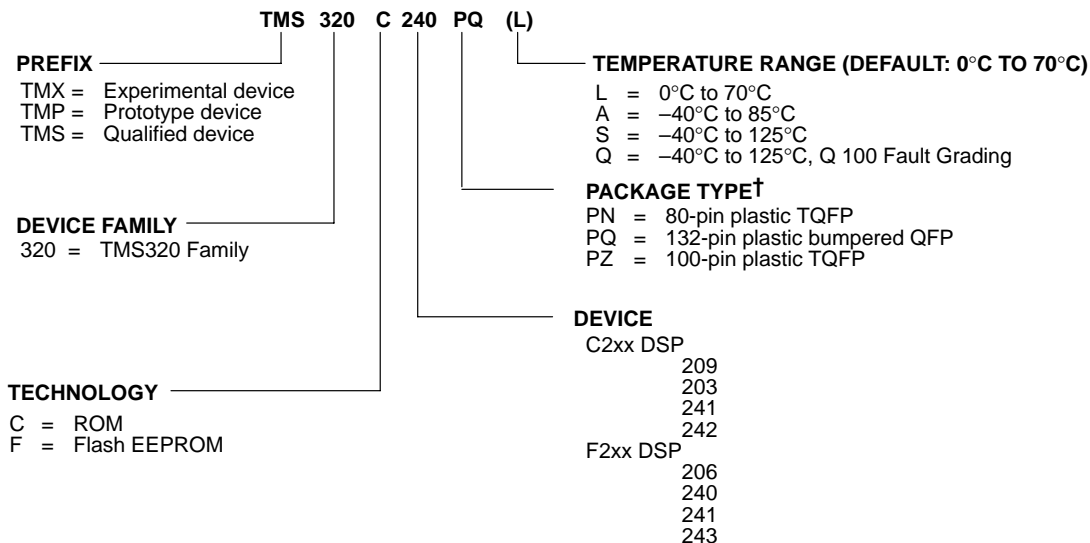


## device and development-support tool nomenclature (continued)

TMS devices and TMS development-support tools have been fully characterized, and the quality and reliability of the device have been fully demonstrated. TI's standard warranty applies.

Predictions show that prototype devices (TMX or TMP) have a greater failure rate than the standard production devices. Texas Instruments recommends that these devices not be used in any production system because their expected end-use failure rate is still undefined. Only qualified production devices are to be used.

TI device nomenclature also includes a suffix with the device family name. This suffix indicates the package type (for example, PN, PQ, and PZ) and temperature range (for example, L). Figure 16 provides a legend for reading the complete device name for any TMS320x2xx family member.



† TQFP = Thin Quad Flat Package

**Figure 16. TMS320 Device Nomenclature**

## documentation support

Extensive documentation supports all of the TMS320 family generations of devices from product announcement through applications development. The types of documentation available include: data sheets, such as this document, with design specifications; complete user's guides for all devices and development-support tools; and hardware and software applications. To receive copies of TMS320 literature, contact the Literature Response Center at 800/477-8924.

A series of DSP textbooks is published by Prentice-Hall and John Wiley & Sons to support DSP research and education. The TMS320 newsletter, *Details on Signal Processing*, is published quarterly and distributed to update TMS320 customers on product information. The TMS320 DSP bulletinboard service (BBS) provides access to a wealth of information pertaining to the TMS320 family, including documentation, source code, and object code for many DSP algorithms and utilities. The BBS can be reached at 281/274-2323.

Updated information on the TMS320 DSP controllers can be found on the worldwide web at: <http://www.ti.com>.

# TMS320F240 DSP CONTROLLER

SPRS042E – OCTOBER 1996 – REVISED NOVEMBER 2002

## absolute maximum ratings over operating free-air temperature range (unless otherwise noted)<sup>†</sup>

|   |                |
|---|----------------|
| Supply voltage range, $V_{DD}$ <sup>‡</sup>             | –0.3 V to 7 V  |
| Input voltage range                                     | –0.3 V to 7 V  |
| Output voltage range                                    | –0.3 V to 7 V  |
| Operating free-air temperature range, $T_A$ : L version | 0°C to 70°C    |
| A version   | –40°C to 85°C  |
| S, Q versions   | –40°C to 125°C |
| Storage temperature range, $T_{stg}$                    | –55°C to 150°C |

<sup>†</sup> Stresses beyond those listed under “absolute maximum ratings” may cause permanent damage to the device. These are stress ratings only, and functional operation of the device at these or any other conditions beyond those indicated under “recommended operating conditions” is not implied. Exposure to absolute-maximum-rated conditions for extended periods may affect device reliability.

<sup>‡</sup> All voltage values are with respect to  $V_{SS}$ .

## recommended operating conditions

|               |   | MIN   | NOM  | MAX            | UNIT |      |
|---------------|---|---|------|----------------|------|------|
| $V_{DD}$      | Supply voltage                              | 4.5   | 5    | 5.5            | V    |      |
| $V_{SS}$      | Supply ground                               | 0   |      |                | V    |      |
| $V_{IH}$      | High-level input voltage                    | XTAL1/CLKIN   | 3    | $V_{DD} + 0.3$ | V    |      |
|               |   | PORESET, NMI, $\overline{RS}$ , and $\overline{TRST}$ | 2.2  | $V_{DD} + 0.3$ |      |      |
|               |   | All other inputs                                      | 2    | $V_{DD} + 0.3$ |      |      |
| $V_{IL}$      | Low-level input voltage                     | XTAL1/CLKIN   | –0.3 | 0.7            | V    |      |
|               |   | All other inputs                                      | –0.3 | 0.8            |      |      |
| $I_{OH}$      | High-level output current, $V_{OH} = 2.4$ V | $\overline{RS}$                                       |      | –19            | mA   |      |
|               |   | See complete listing of pin names <sup>§</sup>        |      | –16            |      |      |
|               |   | All other outputs                                     |      | –23            |      |      |
| $I_{OL}$      | Low-level output current, $V_{OL} = 0.6$ V  | $\overline{RS}$                                       |      | 8              | mA   |      |
|               |   | See complete listing of pin names <sup>§</sup>        |      | 7.5            |      |      |
|               |   | All other outputs                                     |      | 14.5           |      |      |
| $T_A$         | Operating free-air temperature              | L version   | 0    | 70             | °C   |      |
|               |   | A version   | –40  | 85             |      |      |
|               |   | S, Q versions   | –40  | 125            |      |      |
| $T_{FP}$      | Flash programming operating temperature     | L, A, S, Q versions                                   |      | –40            | 85   | °C   |
| $\theta_{JA}$ | Thermal resistance, junction-to-ambient     |   |      |                | 40   | °C/W |
| $\theta_{JC}$ | Thermal resistance, junction-to-case        |   |      |                | 9.9  | °C/W |

<sup>§</sup> IOPA[0:3], SCIRXD/IO, SCITXD/IO, XINT2/IO, XINT3/IO, ADCSOC/IOPC0, TMRDIR/IOPB6, TMRCLK/IOPB7 EMU0, EMU1/OFF



**output current variation with output voltage: SPICE simulation results**

Condition: Temperature : 150° C  
Voltage : 4.5 V

**Table 17. Typical Output Source Current vs. Output Voltage High**

|                                    | 2.4 V  | 3.0 V    | 3.5 V   | 4.0 V   |
|------------------------------------|--------|----------|---------|---------|
| RS                                 | -19 mA | -16 mA   | -12 mA  | -6 mA   |
| See complete listing of pin names† | -16 mA | -13.5 mA | -9.5 mA | -5.0 mA |
| All other inputs                   | -23 mA | -18.5 mA | -13 mA  | -6.5 mA |

† IOPA[0:3], SCIRXD/IO, SCITXD/IO, XINT2/IO, XINT3/IO, ADCSOC/IOPC0, TMRDIR/IOPB6, TMRCLK/IOPB7 EMU0, EMU1/OFF

**Table 18. Typical Output Sink Current vs. Output Voltage Low**

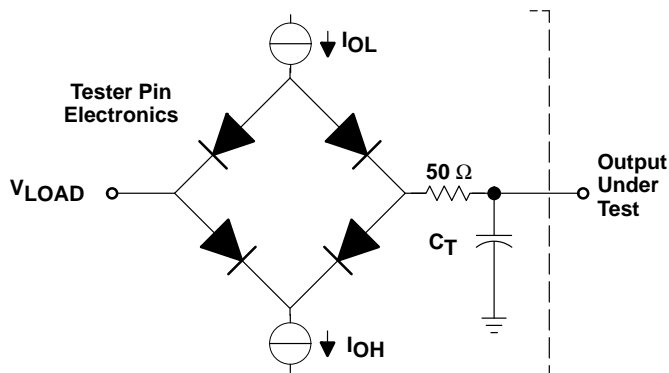
|                                    | 0.6 V   | 0.4 V | 0.2 V  |
|------------------------------------|---------|-------|--------|
| RS                                 | 8 mA    | 6 mA  | 3 mA   |
| See complete listing of pin names† | 7.5 mA  | 5 mA  | 2.5 mA |
| All other inputs                   | 14.5 mA | 10 mA | 5.0 mA |

† IOPA[0:3], SCIRXD/IO, SCITXD/IO, XINT2/IO, XINT3/IO, ADCSOC/IOPC0, TMRDIR/IOPB6, TMRCLK/IOPB7 EMU0, EMU1/OFF

**electrical characteristics over recommended operating free-air temperature range (unless otherwise noted)**

| PARAMETER        |  | TEST CONDITIONS   | MIN  | TYP | MAX | UNIT |
|------------------|--|---|------|-----|-----|------|
| V <sub>OH</sub>  | High-level output voltage  | 5-V operation, I <sub>OH</sub> = MAX                    | 2.4  |     |     | V    |
| V <sub>OL</sub>  | Low-level output voltage   | 5-V operation, I <sub>OL</sub> = MAX                    |      |     | 0.6 | V    |
| I <sub>I</sub>   | Input current (V <sub>I</sub> = V <sub>SS</sub> or V <sub>DD</sub> ) | TRST pin with internal pulldown                         | -10  |     | 500 | μA   |
|                  |  | EMU0, EMU1/OFF, TMS, TCK, and TDI, with internal pullup | -500 |     | 10  |      |
|                  |  | All other input pins                                    | -10  |     | 10  |      |
| I <sub>OZ</sub>  | Output current, high-impedance state (off-state)                     | V <sub>O</sub> = V <sub>DD</sub> or 0 V                 | -5   |     | 5   | μA   |
| I <sub>DD</sub>  | Supply current, operating mode                                       | 5-V operation, t <sub>c</sub> (CO) = 50 ns              |      | 80  |     | mA   |
|                  | Supply current, Idle 1 low-power mode                                | 5-V operation, t <sub>c</sub> (CO) = 50 ns              |      | 50  |     |      |
|                  | Supply current, Idle 2 low-power mode                                | 5-V operation, t <sub>c</sub> (CO) = 50 ns              |      | 7   |     |      |
|                  | Supply current, PLL power-down mode                                  | 5-V operation, t <sub>c</sub> (CO) = 50 ns              |      | 1   |     |      |
|                  | Supply current, OSC power-down mode                                  | 5-V operation, t <sub>c</sub> (CO) = 50 ns              |      | 400 |     |      |
| C <sub>i</sub>   | Input capacitance  |   |      | 15  |     | pF   |
| C <sub>o</sub>   | Output capacitance   |   |      | 15  |     | pF   |
| I <sub>DDP</sub> | Flash programming supply current                                     | 5-V operation, t <sub>c</sub> (CO) = 50 ns              |      | 10  |     | mA   |

**PARAMETER MEASUREMENT INFORMATION**



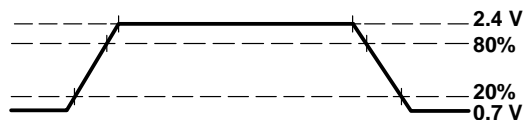
Where:  $I_{OL}$  = 2 mA (all outputs)  
 $I_{OH}$  = 300  $\mu$ A (all outputs)  
 $V_{LOAD}$  = 1.5 V  
 $C_T$  = 110-pF typical load-circuit capacitance

**Figure 17. Test Load Circuit**

**signal transition levels**

The data in this section is shown for the 5-V version (C2xx). Note that some of the signals use different reference voltages, see the recommended operating conditions table. TTL-output levels are driven to a minimum logic-high level of 2.4 V and to a maximum logic-low level of 0.7 V.

Figure 18 shows the TTL-level outputs.



**Figure 18. TTL-Level Outputs**

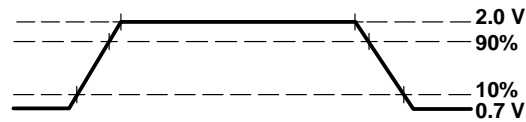
TTL-compatible output transition times are specified as follows:

- For a *high-to-low transition*, the level at which the output is said to be no longer high is below 80% of the total voltage range and lower, and the level at which the output is said to be low is 20% of the total voltage range and lower.
- For a *low-to-high transition*, the level at which the output is said to be no longer low is 20% of the total voltage range and higher, and the level at which the output is said to be high is 80% of the total voltage range and higher.

---

**PARAMETER MEASUREMENT INFORMATION**

Figure 19 shows the TTL-level inputs.



**Figure 19. TTL-Level Inputs**

TTL-compatible input transition times are specified as follows:

- For a *high-to-low transition* on an input signal, the level at which the input is said to be no longer high is 90% of the total voltage range and lower, and the level at which the input is said to be low is 10% of the total voltage range and lower.
- For a *low-to-high transition* on an input signal, the level at which the input is said to be no longer low is 10% of the total voltage range and higher, and the level at which the input is said to be high is 90% of the total voltage range and higher.

**PARAMETER MEASUREMENT INFORMATION**

**timing parameter symbology**

Timing parameter symbols used are created in accordance with JEDEC Standard 100. To shorten the symbols, some of the pin names and other related terminology have been abbreviated as follows:

|     |                                    |    |   |
|-----|------------------------------------|----|---|
| A   | A[15:0]                            | MS | Memory strobe pins $\overline{IS}$ , $\overline{DS}$ , or $\overline{PS}$ |
| Cl  | XTAL1/CLKIN                        | R  | READY   |
| CO  | CLKOUT/IOPC1                       | RD | Read cycle or $W/\overline{R}$  |
| D   | D[15:0]                            | RS | $\overline{RS}$ or $\overline{PORESET}$                                   |
| INT | NMI, XINT1, XINT2/IO, and XINT3/IO | W  | Write cycle or $\overline{WE}$  |

Lowercase subscripts and their meanings:

|    |                        |
|----|------------------------|
| a  | access time            |
| c  | cycle time (period)    |
| d  | delay time             |
| f  | fall time              |
| h  | hold time              |
| r  | rise time              |
| su | setup time             |
| t  | transition time        |
| v  | valid time             |
| w  | pulse duration (width) |

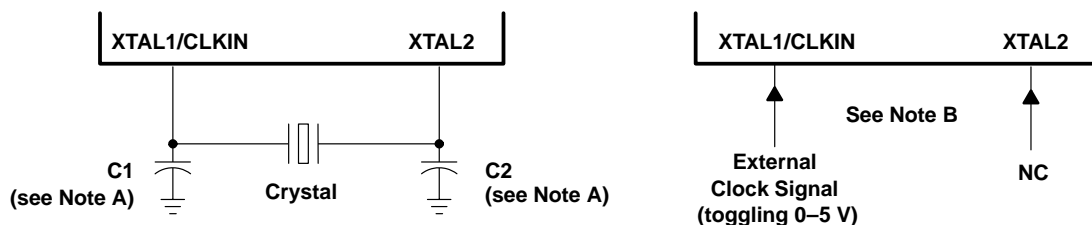
Letters and symbols and their meanings:

|   |  |
|---|--|
| H | High                                   |
| L | Low                                    |
| V | Valid                                  |
| X | Unknown, changing, or don't care level |
| Z | High impedance                         |

**general notes on timing parameters**

All output signals from the TMS320F240 device (including CLKOUT) are derived from an internal clock such that all output transitions for a given half-cycle occur with a minimum of skewing relative to each other.

The signal combinations shown in the following timing diagrams may not necessarily represent actual cycles. For actual cycle examples, see the appropriate cycle description section of this data sheet.



- NOTES: A. For the values of C1 and C2, see the crystal manufacturer's specification.  
 B. Use this configuration in conjunction with  $\overline{OSCBYP}$  pin pulled low.  
 C. Texas Instruments recommends that customers have the resonator/crystal vendor characterize the operation of their device with the DSP chip. The resonator/crystal vendor has the equipment and expertise to tune the tank circuit. The vendor can also advise the customer regarding the proper tank component values that will ensure start-up and stability over the entire operating range.

**Figure 20. Recommended Crystal/Clock Connection**



## CLOCK OPTIONS

### clock options

| PARAMETER                                | CLKMD[1:0] |
|--|------------|
| Clock-in mode, divide-by-2               | 00         |
| Clock-in mode, divide-by-1               | 01         |
| PLL enabled, divide-by-2 before PLL lock | 10         |
| PLL enabled, divide-by-1 before PLL lock | 11         |

### timings with the PLL circuit disabled

| PARAMETER                                     | TEST CONDITIONS                                  | MIN            | MAX | UNIT |
|---|--|----------------|-----|------|
| $f_x$ Input clock frequency, divide-by-2 mode | $T_A = -40^\circ\text{C}$ to $125^\circ\text{C}$ | 0 <sup>†</sup> | 40  | MHz  |
| $f_x$ Input clock frequency, divide-by-1 mode | $T_A = -40^\circ\text{C}$ to $125^\circ\text{C}$ | 0 <sup>†</sup> | 20  | MHz  |

<sup>†</sup> This device utilizes a fully static design and, therefore, can operate with input clock cycle time [ $t_{c(CI)}$ ] approaching infinity. The device is characterized at frequencies approaching 0 Hz.

### switching characteristics over recommended operating conditions [ $H = 0.5 t_{c(CO)}$ ] (see Note 1 and Figure 21)

| PARAMETER   | CLOCK MODE                      | MIN  | TYP           | MAX | UNIT |
|---|---------------------------------|------|---------------|-----|------|
| $t_{c(CPU)}$ Cycle time, CPUCLK                               | CLKIN divide by 2               |      | $2t_{c(CI)}$  | †   | ns   |
|   | CLKIN divide by 1               |      | $t_{c(CI)}$   |     |      |
| $t_{c(SYS)}$ Cycle time, SYSCLK                               | CPUCLK divide by 2              |      | $2t_{c(CPU)}$ | †   | ns   |
|   | CPUCLK divide by 4 <sup>‡</sup> |      | $4t_{c(CPU)}$ |     |      |
| $t_{c(CO)}$ Cycle time, CLKOUT                                | CLKIN divide by 2               |      | $2t_{c(CI)}$  | †   | ns   |
|   | CLKIN divide by 1               |      | $t_{c(CI)}$   | †   |      |
| $t_d(CIH-CO)$ Delay time, XTAL1/CLKIN high to CLKOUT high/low |                                 | 3    | 18            | 32  | ns   |
| $t_f(CO)$ Fall time, CLKOUT                                   |                                 |      | 5             |     | ns   |
| $t_r(CO)$ Rise time, CLKOUT                                   |                                 |      | 5             |     | ns   |
| $t_w(COL)$ Pulse duration, CLKOUT low                         |                                 | H-10 | H-6           | H-1 | ns   |
| $t_w(COH)$ Pulse duration, CLKOUT high                        |                                 | H+0  | H+4           | H+8 | ns   |

<sup>†</sup> This device utilizes a fully static design and, therefore, can operate with input clock cycle time [ $t_{c(CI)}$ ] approaching infinity. The device is characterized at frequencies approaching 0 Hz.

<sup>‡</sup> SYSCLK is initialized to divide-by-4 mode by any device reset.

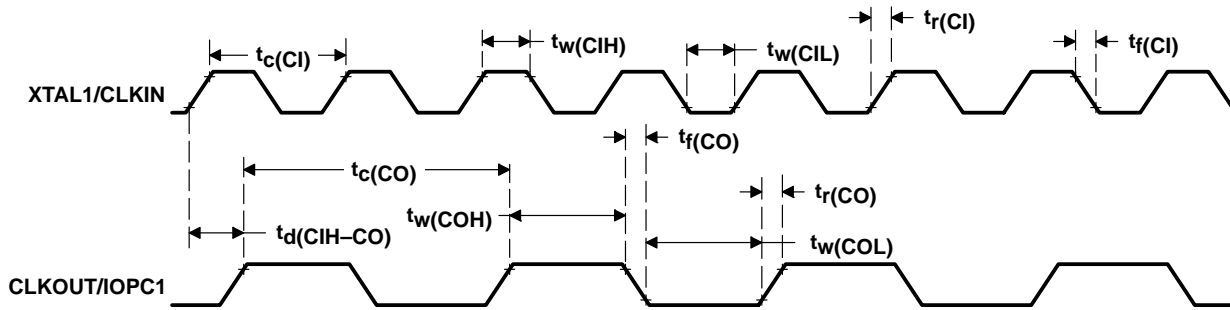
NOTE 1: Timings assume CLKOUT is set to output CPUCLK. CLKOUT is initialized to CPUCLK by power-on reset.

### timing requirements over recommended operating conditions (see Figure 21)

|  | CLOCK-IN MODE | MIN | MAX | UNIT |
|--|---------------|-----|-----|------|
| $t_{c(CI)}$ Cycle time, XTAL1/CLKIN  | Divide by 2   | 25  | †   | ns   |
|  | Divide by 1   | 50  | †   |      |
| $t_f(CI)$ Fall time, XTAL1/CLKIN   |               |     | 5   | ns   |
| $t_r(CI)$ Rise time, XTAL1/CLKIN   |               |     | 5   | ns   |
| $t_w(CIL)$ Pulse duration, XTAL1/CLKIN low as a percentage of $t_{c(CI)}$  |               | 45  | 55  | %    |
| $t_w(CIH)$ Pulse duration, XTAL1/CLKIN high as a percentage of $t_{c(CI)}$ |               | 45  | 55  | %    |

<sup>†</sup> This device utilizes a fully static design and, therefore, can operate with input clock cycle time [ $t_{c(CI)}$ ] approaching infinity. The device is characterized at frequencies approaching 0 Hz.

**CLOCK OPTIONS (CONTINUED)**



**Figure 21. External Divide-by-Two Clock Timings**

**external reference crystal with PLL-circuit-enabled clock option**

The internal oscillator is enabled by connecting  $\overline{OSCBYP}$  to  $V_{DD}$  and connecting a crystal across XTAL1/CLKIN and XTAL2 pins as shown in Figure 20. The crystal should be in either fundamental or overtone operation and parallel resonant, with an effective series resistance of 30  $\Omega$  and a power dissipation of 1 mW; it should be specified at a load capacitance of 20 pF.

**timings with the PLL circuit enabled**

| PARAMETER |                       | EXTERNAL REFERENCE CRYSTAL | MIN | TYP | MAX | UNIT |
|-----------|-----------------------|----------------------------|-----|-----|-----|------|
| $f_x$     | Input clock frequency | 4 MHz                      |     | 4   |     | MHz  |
|           |                       | 6 MHz                      |     | 6   |     |      |
|           |                       | 8 MHz                      |     | 8   |     |      |
| C1, C2    | Load capacitance      |                            | 10  |     | pF  |      |

switching characteristics over recommended operating conditions [ $H = 0.5 t_{c(CO)}$ ] (see Figure 22)

| PARAMETER   | CLOCK MODE                         | MIN  | TYP           | MAX             | UNIT |
|---|------------------------------------|------|---------------|-----------------|------|
| $t_{c(CPU)}$ Cycle time, CPUCLK                           | before PLL lock, CLKIN divide by 2 |      | $2t_{c(CI)}$  | †               | ns   |
|   | before PLL lock, CLKIN divide by 1 |      | $t_{c(CI)}$   |                 |      |
|   | after PLL lock                     |      | 50            |                 |      |
| $t_{c(SYS)}$ Cycle time, SYSCLK                           | CPUCLK divide by 2                 |      | $2t_{c(CPU)}$ | †               | ns   |
|   | CPUCLK divide by 4‡                |      | $4t_{c(CPU)}$ |                 |      |
| $t_{c(CO)}$ Cycle time, CLKOUT                            |                                    | 50   |               | †               | ns   |
| $t_f(CO)$ Fall time, CLKOUT                               |                                    |      | 5             |                 | ns   |
| $t_r(CO)$ Rise time, CLKOUT                               |                                    |      | 5             |                 | ns   |
| $t_w(COL)$ Pulse duration, CLKOUT low                     |                                    | H-10 | H-6           | H-1             | ns   |
| $t_w(COH)$ Pulse duration, CLKOUT high                    |                                    | H+0  | H+4           | H+8             | ns   |
| $t_p$ Transition time, PLL synchronized after PLL enabled | before PLL lock, CLKIN divide by 2 |      |               | $2000t_{c(CI)}$ | ns   |
|   | before PLL lock, CLKIN divide by 1 |      |               | $1000t_{c(CI)}$ |      |

† This device utilizes a fully static design and, therefore, can operate with input clock cycle time [ $t_{c(CI)}$ ] approaching infinity. The device is characterized at frequencies approaching 0 Hz.

‡ SYSCLK is initialized to divide-by-4 mode by any device reset.

timing requirements over recommended operating conditions (see Note 1 and Figure 22)

|  | EXTERNAL REFERENCE CRYSTAL | MIN | MAX | UNIT |
|--|----------------------------|-----|-----|------|
| $t_{c(CI)}$ Cycle time, XTAL1/CLKIN  | 4 MHz                      | 250 | †   | ns   |
|  | 6 MHz                      | 167 |     |      |
|  | 8 MHz                      | 125 |     |      |
| $t_f(CI)$ Fall time, XTAL1/CLKIN   |                            |     | 5   | ns   |
| $t_r(CI)$ Rise time, XTAL1/CLKIN   |                            |     | 5   | ns   |
| $t_w(CIL)$ Pulse duration, XTAL1/CLKIN low as a percentage of $t_{c(CI)}$  |                            | 40  | 60  | %    |
| $t_w(CIH)$ Pulse duration, XTAL1/CLKIN high as a percentage of $t_{c(CI)}$ |                            | 40  | 60  | %    |

† This device utilizes a fully static design and, therefore, can operate with input clock cycle time [ $t_{c(CI)}$ ] approaching infinity. The device is characterized at frequencies approaching 0 Hz.

NOTE 1: Timings assume CLKOUT is set to output CPUCLK. CLKOUT is initialized to CPUCLK by power-on reset.

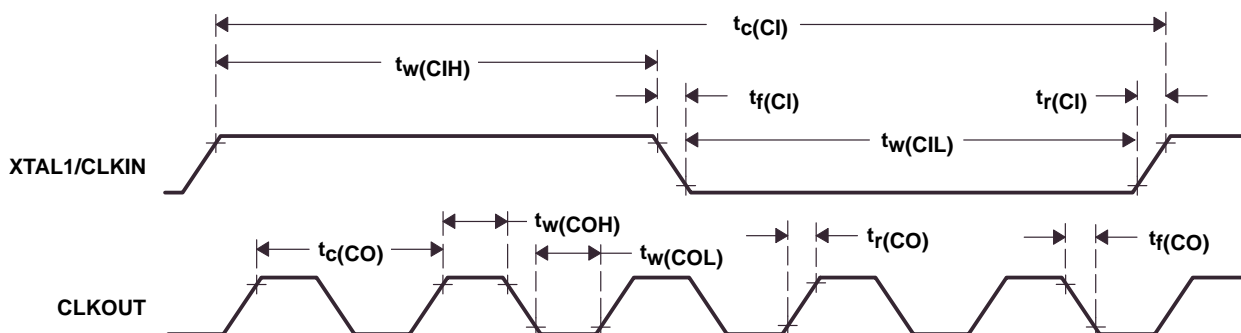


Figure 22. CLKIN-to-CLKOUT Timings for PLL Oscillator Mode, Multiply-by-5 Option With 4-MHz Crystal

# TMS320F240 DSP CONTROLLER

SPRS042E – OCTOBER 1996 – REVISED NOVEMBER 2002

## low-power mode timings

switching characteristics over recommended operating conditions (see Figure 23, Figure 24, Figure 25, and Figure 26)

| PARAMETER               | LOW-POWER MODES                        | MIN | TYP                        | MAX | UNIT          |
|-------------------------|--|-----|----------------------------|-----|---------------|
| $t_d(\text{WAKE-A})$    | Idle 1 and Idle 2                      |     | $15 \times t_c(\text{CO})$ |     | ns            |
|                         | PLL or OSC power down                  |     | $15 \times t_c(\text{CI})$ |     |               |
| $t_d(\text{IDLE-COH})$  | Idle 2, PLL power down, OSC power down |     | 500                        |     | ns            |
| $t_d(\text{WAKE-LOCK})$ | PLL or OSC power down                  |     | 100                        |     | $\mu\text{s}$ |
| $t_d(\text{WAKE-OSC})$  | OSC power down                         |     | 10                         |     | ms            |
| $t_d(\text{IDLE-OSC})$  | OSC power down                         |     | 60                         |     | $\mu\text{s}$ |

NOTE 1: Timings assume CLKOUT is set to output CPUCLK. CLKOUT is initialized to CPUCLK by power-on reset.

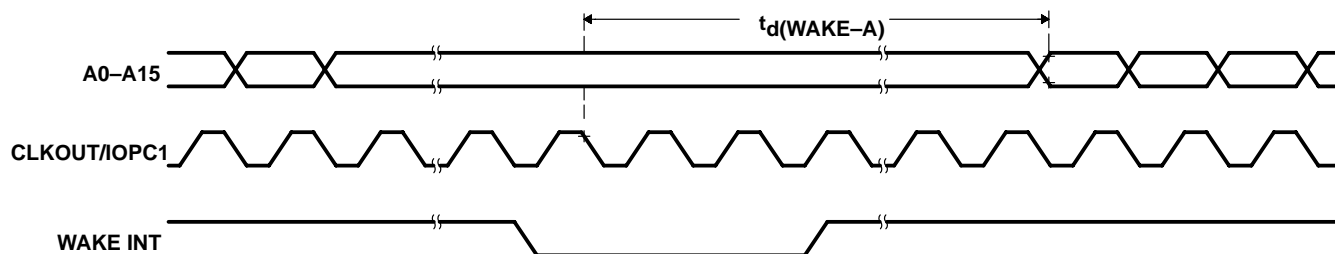


Figure 23. IDLE1 Entry and Exit Timings

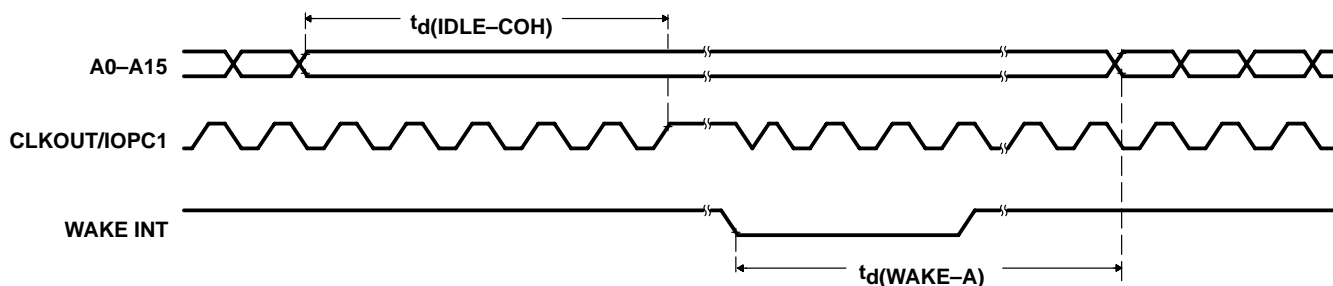


Figure 24. IDLE2 Entry and Exit Timings

low-power mode timings (continued)

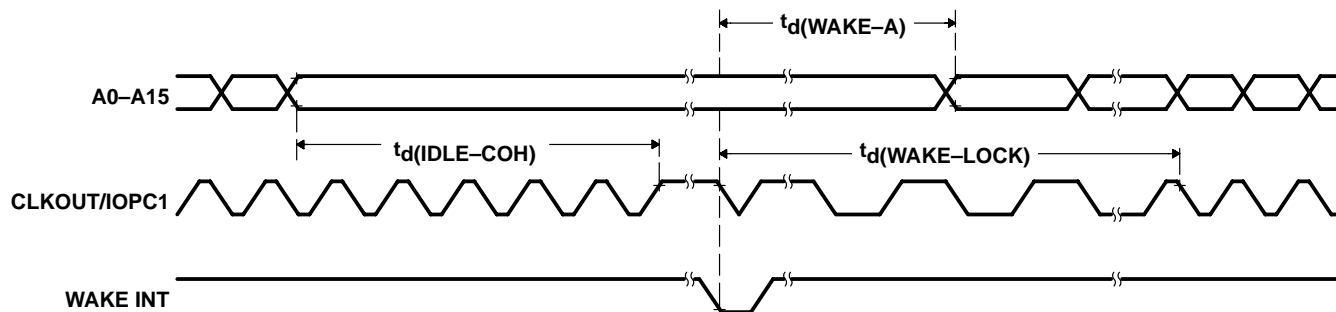


Figure 25. PLL Power-Down Entry and Exit Timings

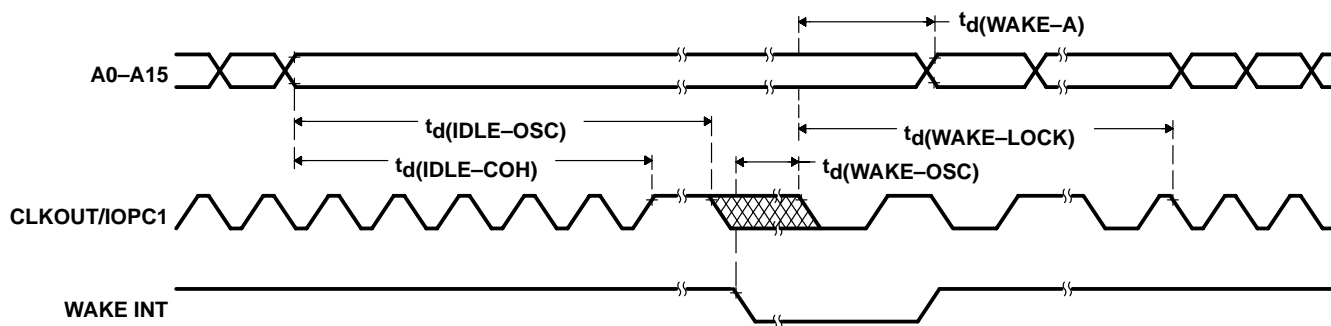


Figure 26. OSC Power-Down Entry and Exit Timings

# TMS320F240 DSP CONTROLLER

SPRS042E – OCTOBER 1996 – REVISED NOVEMBER 2002

## memory and parallel I/O interface *read* timings

### switching characteristics over recommended operating conditions for a memory read @ 5 V (see Figure 27)

| PARAMETER                      |  | MIN | MAX | UNIT |
|--------------------------------|--|-----|-----|------|
| $t_d(\text{CO-A})\text{RD}$    | Delay time, CLKOUT/IOPC1 low to address valid  |     | 17  | ns   |
| $t_d(\text{CO-SL})\text{RD}$   | Delay time, CLKOUT/IOPC1 low to $\overline{\text{STRB}}$ low   |     | 10  | ns   |
| $t_d(\text{CO-SH})\text{RD}$   | Delay time, CLKOUT/IOPC1 low to $\overline{\text{STRB}}$ high  |     | 6   | ns   |
| $t_d(\text{CO-ACTL})\text{RD}$ | Delay time, CLKOUT/IOPC1 low to $\overline{\text{PS}}$ , $\overline{\text{DS}}$ , $\overline{\text{IS}}$ , and $\overline{\text{BR}}$ low  |     | 10  | ns   |
| $t_d(\text{CO-ACTH})\text{RD}$ | Delay time, CLKOUT/IOPC1 low to $\overline{\text{PS}}$ , $\overline{\text{DS}}$ , $\overline{\text{IS}}$ , and $\overline{\text{BR}}$ high |     | 10  | ns   |

### timing requirements over recommended operating conditions for a memory read @ 5 V [ $H = 0.5t_c(\text{CO})$ ]<sup>†</sup> (see Figure 27)

|                                 |   | MIN          | MAX     | UNIT |
|---------------------------------|---|--------------|---------|------|
| $t_a(\text{A})$                 | Access time, from address valid to read data  | 0 wait state | 2H – 32 | ns   |
|                                 |   | 1 wait state | 4H – 32 |      |
| $t_{su}(\text{D-COL})\text{RD}$ | Setup time, data read before CLKOUT/IOPC1 low | 15           |         | ns   |
| $t_h(\text{COL-D})\text{RD}$    | Hold time, data read after CLKOUT/IOPC1 low   | 2            |         | ns   |

<sup>†</sup> All timings with respect to CLKOUT/IOPC1 assume CLKSRC[1:0] bits are set to select CPUCLK for output.



memory and parallel I/O interface *read* timings (continued)

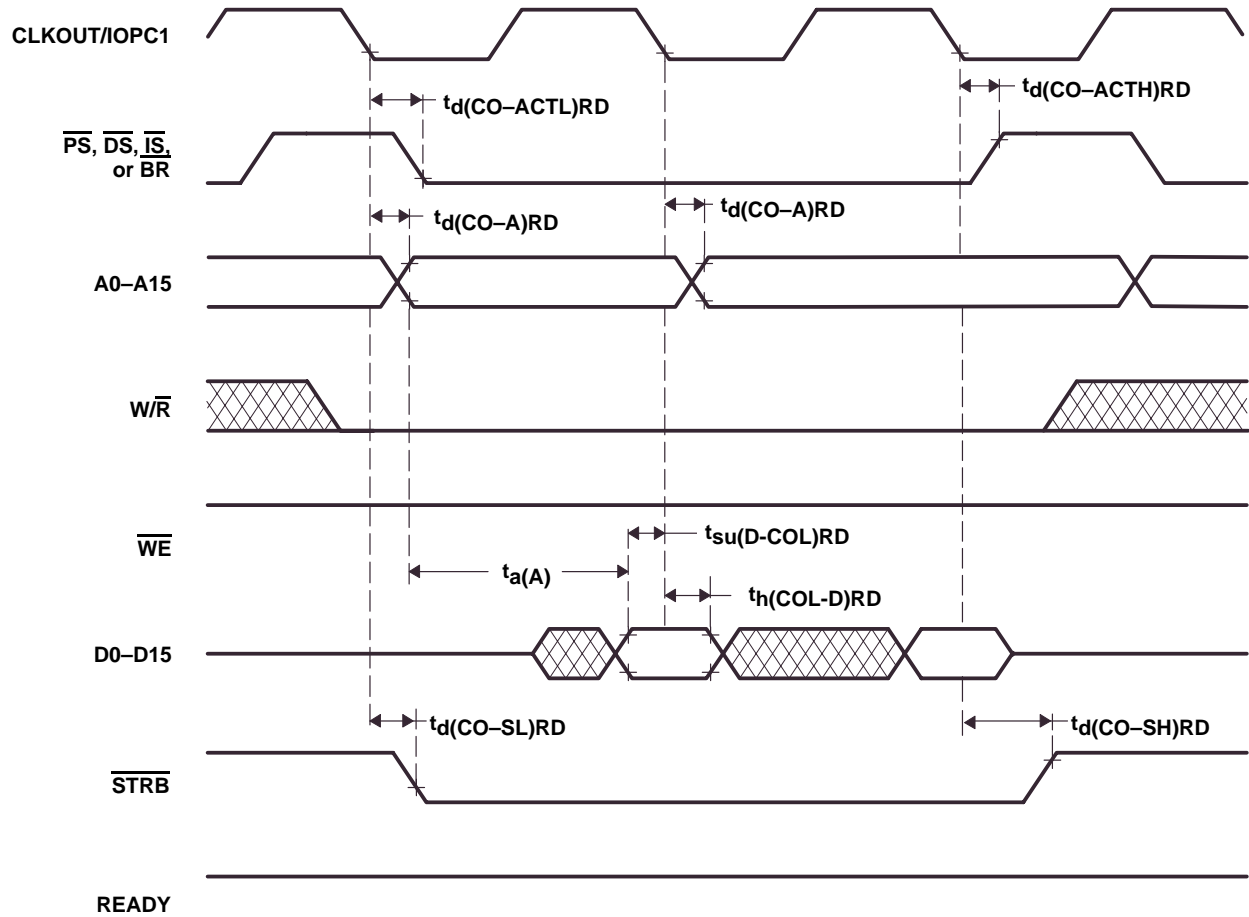


Figure 27. Memory Interface *Read* Timings

# TMS320F240 DSP CONTROLLER

SPRS042E – OCTOBER 1996 – REVISED NOVEMBER 2002

## memory and parallel I/O interface *write* timings

switching characteristics over recommended operating conditions for a memory write  
@ 5 V [ $H = 0.5t_{c(CO)}$ ]<sup>†</sup> (see Figure 28)

| PARAMETER         |   | MIN     | MAX | UNIT |
|-------------------|---|---------|-----|------|
| $t_{d(CO-A)W}$    | Delay time, CLKOUT/IOPC1 high to address valid  |         | 17  | ns   |
| $t_{d(CO-D)}$     | Delay time, CLKOUT/IOPC1 low to data bus driven   |         | 15  | ns   |
| $t_{h(WH-A)}$     | Hold time, address valid after $\overline{WE}$ high   | H – 8   |     | ns   |
| $t_w(WH)$         | Pulse duration, $\overline{WE}$ high  | 2H – 11 |     | ns   |
| $t_w(WL)$         | Pulse duration, $\overline{WE}$ low   | 2H – 11 |     |      |
| $t_{d(CO-WL)}$    | Delay time, CLKOUT/IOPC1 low to $\overline{WE}$ low   |         | 9   | ns   |
| $t_{d(CO-WH)}$    | Delay time, CLKOUT/IOPC1 low to $\overline{WE}$ high  |         | 9   | ns   |
| $t_{su(D-WH)}$    | Setup time, write data valid before $\overline{WE}$ high  | 2H – 8  |     | ns   |
| $t_{hz(WH-D)}$    | High-impedance time, $\overline{WE}$ high to data bus Hi-Z  | 0       | 5   | ns   |
| $t_{d(CO-SL)W}$   | Delay time, CLKOUT/IOPC1 low to $\overline{STRB}$ low   |         | 10  | ns   |
| $t_{d(CO-SH)W}$   | Delay time, CLKOUT/IOPC1 low to $\overline{STRB}$ high  |         | 6   | ns   |
| $t_{d(CO-ACTL)W}$ | Delay time, CLKOUT/IOPC1 high to $\overline{PS}$ , $\overline{DS}$ , $\overline{IS}$ , and $\overline{BR}$ low  |         | 10  | ns   |
| $t_{d(CO-ACTH)W}$ | Delay time, CLKOUT/IOPC1 high to $\overline{PS}$ , $\overline{DS}$ , $\overline{IS}$ , and $\overline{BR}$ high |         | 10  | ns   |
| $t_{d(CO-RWL)}$   | Delay time, CLKOUT/IOPC1 high to $R/\overline{W}$ low   |         | 10  | ns   |
| $t_{d(CO-RWH)}$   | Delay time, CLKOUT/IOPC1 high to $R/\overline{W}$ high  |         | 10  | ns   |

<sup>†</sup> All timings with respect to CLKOUT/IOPC1 assume CLKSRC[1:0] bits are set to select CPUCLK for output.





memory and parallel I/O interface *write* timings (continued)

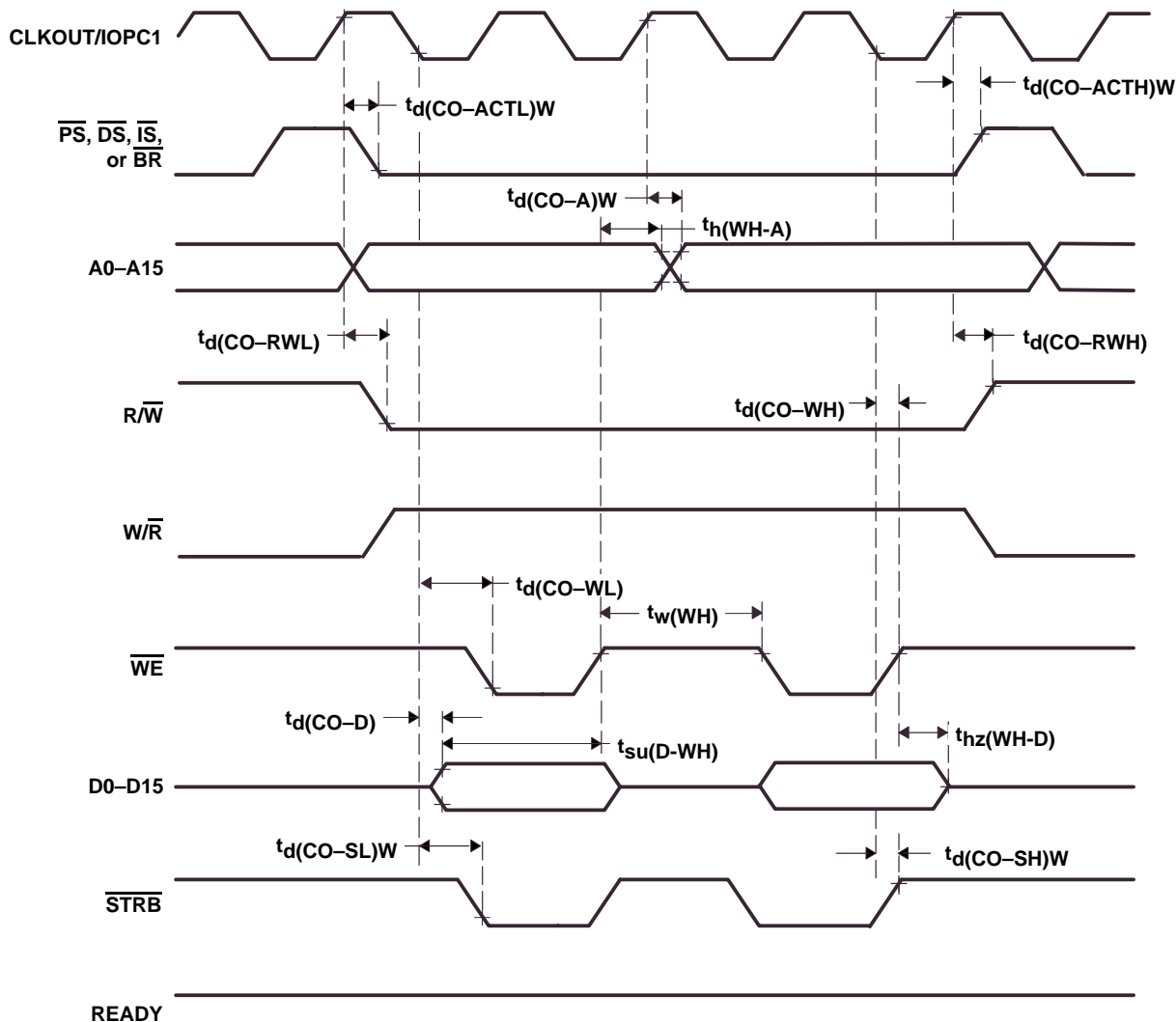


Figure 28. Memory Interface *Write* Timings

# TMS320F240 DSP CONTROLLER

SPRS042E – OCTOBER 1996 – REVISED NOVEMBER 2002

## I/O timing variation with load capacitance: SPICE simulation results

Condition: Temperature : - 40 to 150° C  
 Capacitance : 5–125pF  
 Voltage : 5.0 V

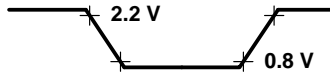


Figure 29. Rise and Fall Time Diagram

Table 19. Timing Variation With Load Capacitance: [ $V_{CC} = 5\text{ V}$ ,  $V_{OH} = 2.2\text{ V}$ ,  $V_{OL} = 0.8\text{ V}$ ]

|        | - 40°C |         | 27°C   |         | 150°C   |         |
|--------|--------|---------|--------|---------|---------|---------|
|        | RISE   | FALL    | RISE   | FALL    | RISE    | FALL    |
| 5 pF   | 2.5 ns | 3.6 ns  | 3.1 ns | 4.5 ns  | 4.3 ns  | 6.2 ns  |
| 25 pF  | 3.1 ns | 4.6 ns  | 4.0 ns | 5.7 ns  | 5.6 ns  | 7.8 ns  |
| 50 pF  | 3.9 ns | 5.9 ns  | 5.0 ns | 7.3 ns  | 7.2 ns  | 9.9 ns  |
| 75 pF  | 4.7 ns | 7.3 ns  | 6.1 ns | 8.9 ns  | 8.8 ns  | 11.7 ns |
| 100 pF | 5.4 ns | 8.9 ns  | 7.2 ns | 10.6 ns | 10.5 ns | 13.8 ns |
| 125 pF | 6.2 ns | 10.4 ns | 8.3 ns | 12.2 ns | 12.1 ns | 15.8 ns |

**READY timings**

timing requirements over recommended operating conditions [ $H = 0.5t_{c(CO)}$ ]<sup>†</sup> (see Figure 30)

|                |  | MIN | MAX     | UNIT |
|----------------|--|-----|---------|------|
| $t_{su(R-CO)}$ | Setup time, READY low before CLKOUT/IOPC1 high | 14  |         | ns   |
| $t_{h(CO-R)}$  | Hold time, READY low after CLKOUT/IOPC1 high   | 0   |         | ns   |
| $t_{v(R)ARD}$  | Valid time, READY after address valid on read  |     | 3H – 31 | ns   |
| $t_{v(R)AW}$   | Valid time, READY after address valid on write |     | 4H – 31 | ns   |

<sup>†</sup> The READY timings are based on one software wait state. At full speed operation, the F240 does not allow for single READY-based wait states.

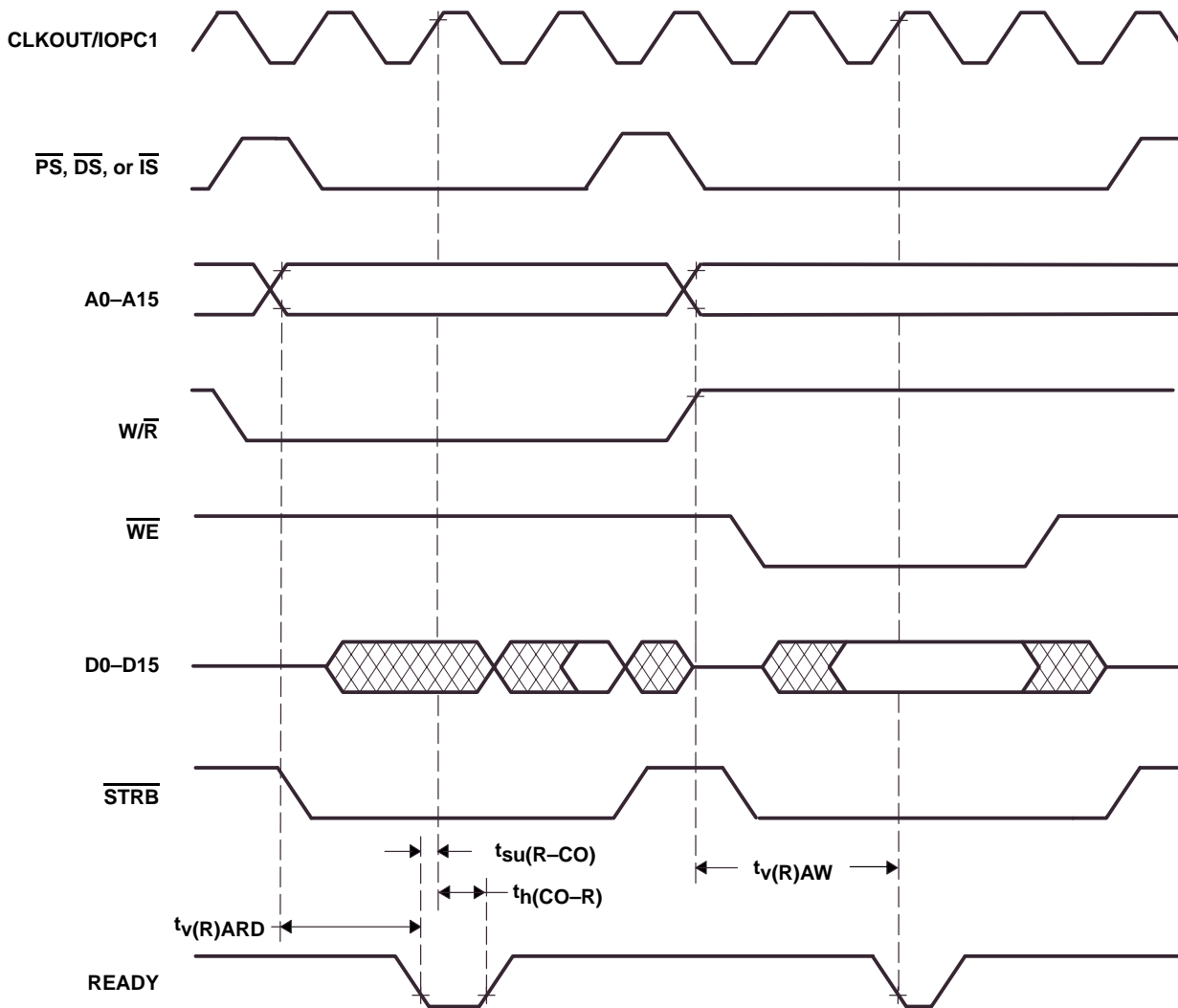


Figure 30. READY Timings

# TMS320F240 DSP CONTROLLER

SPRS042E – OCTOBER 1996 – REVISED NOVEMBER 2002

## $\overline{RS}$ and $\overline{PORESET}$ timings

switching characteristics over recommended operating conditions for a reset [ $H = 0.5t_{C(CO)}$ ] (see Figure 31, Figure 32, and Figure 33)

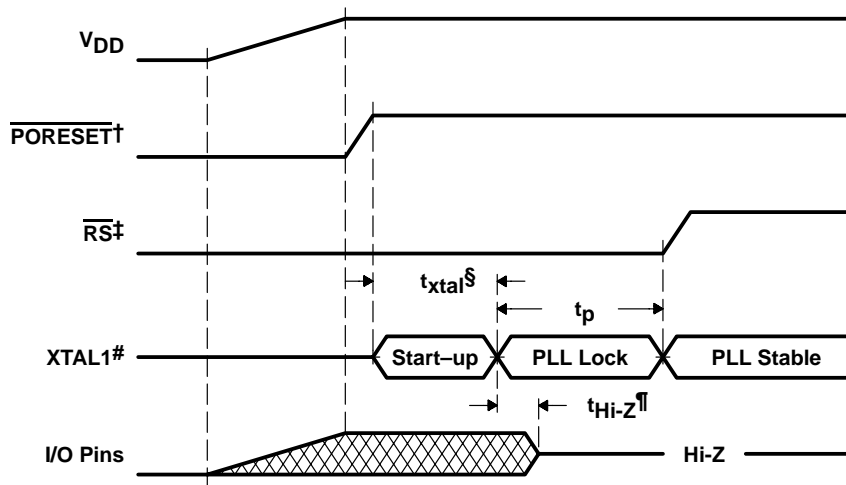
| PARAMETER     |  | MIN           | MAX | UNIT |
|---------------|--|---------------|-----|------|
| $t_{w(RSL1)}$ | Pulse duration, $\overline{RS}$ low†                               | $8t_{C(SYS)}$ |     | ns   |
| $t_d(RS)$     | Delay time, $\overline{RS}$ low to program address at reset vector | 4H            |     | ns   |
| $t_d(EX)$     | Delay time, $\overline{RS}$ high to reset vector executed          | 32H           |     | ns   |

† The parameter  $t_{w(RSL1)}$  refers to the time  $\overline{RS}$  is an output.

timing requirements over recommended operating conditions for a reset (see Figure 31, Figure 32, and Figure 33)

|              |  | MIN | MAX | UNIT |
|--------------|--|-----|-----|------|
| $t_{w(RSL)}$ | Pulse duration, $\overline{RS}$ or $\overline{PORESET}$ low‡ | 5   |     | ns   |

‡ The parameter  $t_{w(RSL)}$  refers to the time  $\overline{RS}$  is an input.



†  $\overline{PORESET}$  is required to be driven low during power up to ensure all clock/PLL registers are reset to a known state.

‡  $\overline{RS}$  is a bidirectional (open-drain output) pin and can be optionally pulled low through an open-drain or open-collector drive circuit, or through a 2.7-k $\Omega$  resistor in series with a totem pole drive circuit. If  $\overline{RS}$  is left undriven, then a 20-k $\Omega$  pullup resistor should be used.

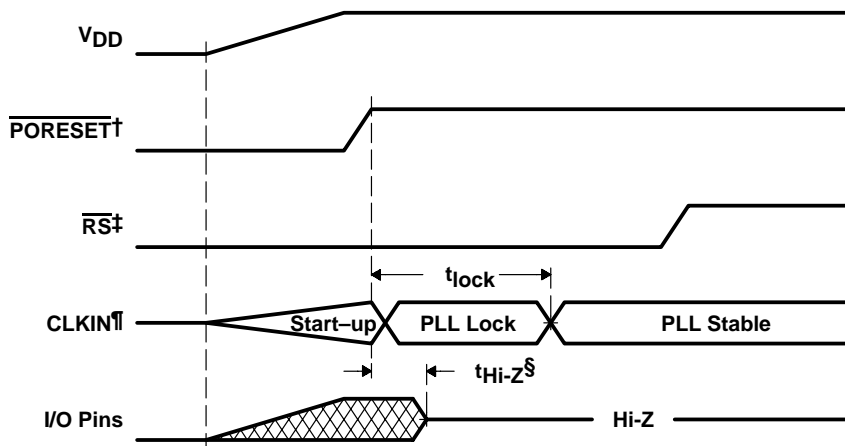
§ The start-up time of the on-chip oscillator depends on the crystal parameters, bypass capacitors, and board layout. Typical start-up time is about 10 ms.

¶ After  $\overline{PORESET}$  is high and oscillator starts up, it takes few clock edges (typically 4–8 oscillator cycles) for the I/Os to assume high-impedance state.

# CLKOUT using on-chip oscillator.

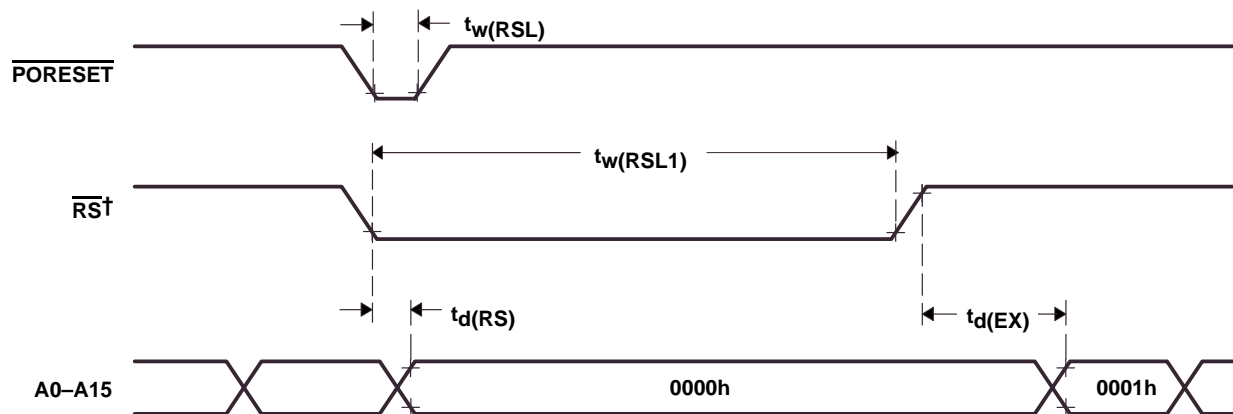
Figure 31. Case With Crystal

**$\overline{RS}$  and  $\overline{PORESET}$  timings (continued)**



- †  $\overline{PORESET}$  is required to be driven low during power up to ensure all clock/PLL registers are reset to a known state.
- ‡  $\overline{RS}$  is a bidirectional (open-drain output) pin and can be optionally pulled low through an open-drain or open-collector drive circuit, or through a 2.7-k $\Omega$  resistor in series with a totem pole drive circuit. If  $\overline{RS}$  is left undriven, then a 20-k $\Omega$  pullup resistor should be used.
- § If external clock is used, after  $\overline{PORESET}$  is high, it takes few valid clock edges (typically 4–8 clock-in cycles) for the I/Os to assume high-impedance state.
- ¶ CLKOUT using external oscillator.

**Figure 32. Case With External Oscillator**



†  $\overline{RS}$  is driven low by any device reset, which includes asserting  $\overline{PORESET}$ ,  $\overline{RS}$ , access to an illegal address, execution of a software reset, or a watchdog timer reset.

**Figure 33. Power-On Reset Timings**

# TMS320F240 DSP CONTROLLER

SPRS042E – OCTOBER 1996 – REVISED NOVEMBER 2002

## XF, $\overline{\text{BIO}}$ , and $\text{MP}/\overline{\text{MC}}$ timings

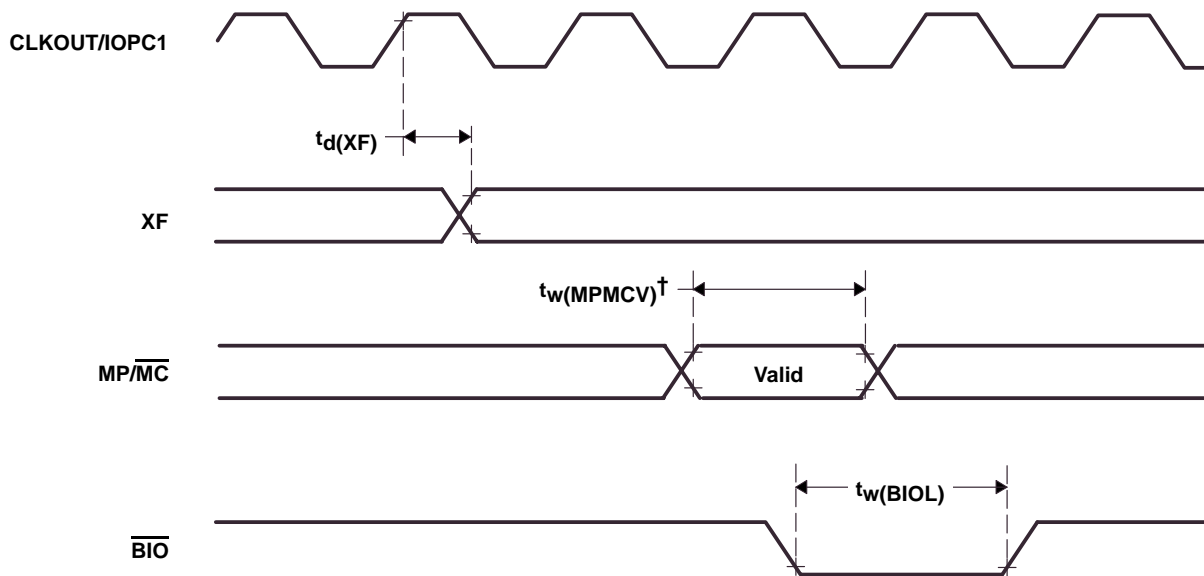
switching characteristics over recommended operating conditions (see Figure 34)

| PARAMETER        |  | MIN | MAX | UNIT |
|------------------|--|-----|-----|------|
| $t_d(\text{XF})$ | Delay time, CLKOUT high to XF high/low |     | 11  | ns   |

timing requirements over recommended operating conditions [ $H = 0.5t_{c(\text{CO})}$ ] (see Figure 34)

|                             |   | MIN       | MAX | UNIT |
|-----------------------------|---|-----------|-----|------|
| $t_w(\text{BIOL})$          | Pulse duration, $\overline{\text{BIO}}$ low                         | $2H + 16$ |     | ns   |
| $t_w(\text{MPMCv})^\dagger$ | Pulse duration, $\text{MP}/\overline{\text{MC}}$ valid <sup>†</sup> | $2H + 24$ |     | ns   |

<sup>†</sup> This is the minimum time the  $\text{MP}/\overline{\text{MC}}$  pin needs to be stable in order to be recognized by internal logic; however, for proper operation, the user must maintain a valid level for the duration of the entire memory access (or accesses) on- or off-chip.



<sup>†</sup> This is the minimum time the  $\text{MP}/\overline{\text{MC}}$  pin needs to be stable in order to be recognized by internal logic; however, for proper operation, the user must maintain a valid level for the duration of the entire memory access (or accesses) on- or off-chip.

Figure 34. XF,  $\overline{\text{BIO}}$ , and  $\text{MP}/\overline{\text{MC}}$  Timings

TIMING EVENT MANAGER INTERFACE

PWM/CMP timings

PWM refers to PWM1/CMP1, PWM2/CMP2, PWM3/CMP3, PWM4/CMP4, PWM5/CMP5, PWM6/CMP6, T1PWM/T1CMP, T2PWM/T2CMP, T3PWM/T3CMP, PWM7/CMP7, PWM8/CMP8, and PWM9/CMP9.

switching characteristics over recommended operating conditions for PWM timing (see Figure 35)

| PARAMETER                     |   | MIN | MAX | UNIT |
|-------------------------------|---|-----|-----|------|
| $t_d(\text{PWM})_{\text{CO}}$ | Delay time, CLKOUT high to PWM output switching |     | 12  | ns   |

timing requirements over recommended operating conditions for PWM timing [H = 0.5 $t_c(\text{CO})$ ] (see Figure 36 and Figure 37)

|                       |  | MIN                   | MAX | UNIT |
|-----------------------|--|-----------------------|-----|------|
| $t_w(\text{TMRDIR})$  | Pulse duration, TMRDIR low/high                                  | 4H + 12               |     | ns   |
| $t_w(\text{TMRCLKL})$ | Pulse duration, TMRCLK low as a percentage of TMRCLK cycle time  | 40                    | 60  | %    |
| $t_w(\text{TMRCLKH})$ | Pulse duration, TMRCLK high as a percentage of TMRCLK cycle time | 40                    | 60  | %    |
| $t_c(\text{TMRCLK})$  | Cycle time, TMRCLK   | 4 × $t_c(\text{CPU})$ |     | ns   |

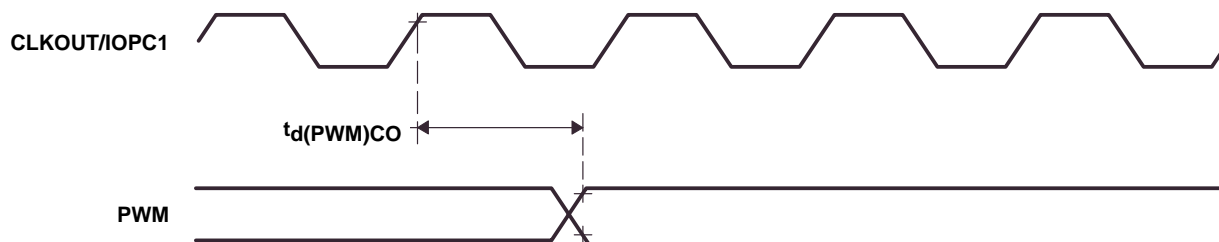


Figure 35. PWM and Compare Output Timings

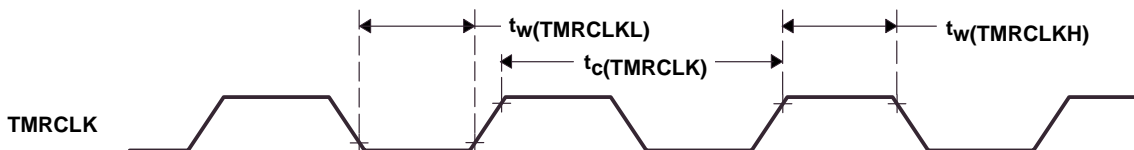


Figure 36. External Timer Clock Input Timings



Figure 37. External Timer Direction Input Timings

# TMS320F240 DSP CONTROLLER

SPRS042E – OCTOBER 1996 – REVISED NOVEMBER 2002

## capture and QEP timings

CAP refers to CAP1/QEP1/IOPC4, CAP2/QEP2/IOPC5, CAP3/IOPC6, and CAP4/IOPC7.

### timing requirements over recommended operating conditions for CAP [ $H = 0.5t_{c(CO)}$ ] (see Figure 38)

|  | MIN     | MAX | UNIT |
|--|---------|-----|------|
| $t_w(\text{CAP})$ Pulse duration, CAP input low/high | 4H + 12 |     | ns   |

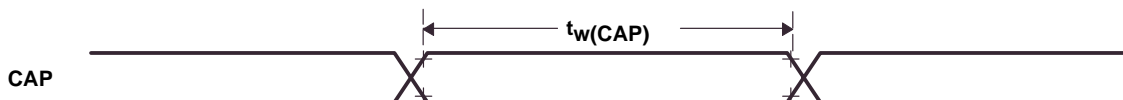


Figure 38. Capture and QEP Input Timings



**interrupt timings**

PWM refers to PWM1/CMP1, PWM2/CMP2, PWM3/CMP3, PWM4/CMP4, PWM5/CMP5, PWM6/CMP6, T1PWM/T1CMP, T2PWM/T2CMP, T3PWM/T3CMP, PWM7/CMP7, PWM8/CMP8, and PWM9/CMP9.

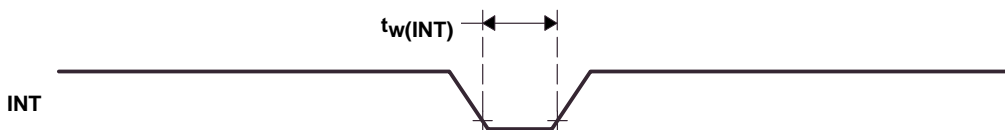
INT refers to NMI, XINT1, XINT2/IO, and XINT3/IO. PDP refers to  $\overline{\text{PDPINT}}$ .

**switching characteristics over recommended operating conditions for interrupts (see Figure 40)**

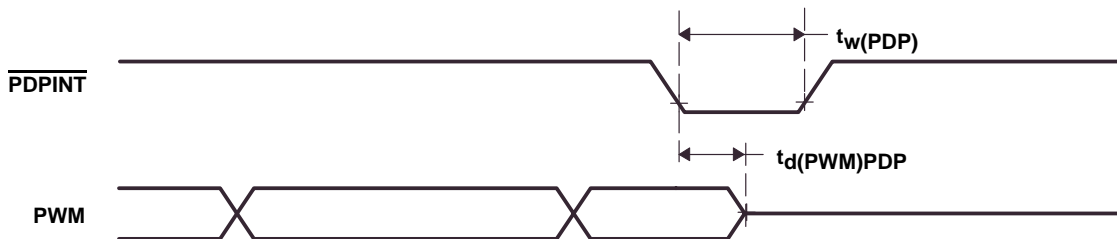
| PARAMETER                   |   | MIN | MAX | UNIT |
|-----------------------------|---|-----|-----|------|
| $t_d(\text{PWM})\text{PDP}$ | Delay time, $\overline{\text{PDPINT}}$ low to PWM to high-impedance state | 0   | 15  | ns   |

**timing requirements over recommended operating conditions for interrupts [H = 0.5t<sub>c</sub>(CO)] (see Figure 39 and Figure 40)**

|                   |  | MIN                                   | MAX | UNIT |
|-------------------|--|---------------------------------------|-----|------|
| $t_w(\text{INT})$ | Pulse duration, INT input low/high                   | $t_c(\text{SYS}) + 12$                |     | ns   |
| $t_w(\text{PDP})$ | Pulse duration, $\overline{\text{PDPINT}}$ input low | $2H + 18$                             |     | ns   |
| $t_d(\text{INT})$ | Delay time, INT low/high to interrupt-vector fetch   | $2t_c(\text{SYS}) + 4t_c(\text{CPU})$ |     | ns   |



**Figure 39. External Interrupt Timings**



**Figure 40. Power-Drive Protection Interrupt Timings**

# TMS320F240 DSP CONTROLLER

SPRS042E – OCTOBER 1996 – REVISED NOVEMBER 2002

## general-purpose input/output timings

GPO refers to the digital output function of shared pins IOPA0–3, IOPB0–7, IOPC0–7, XINT2/IO, XINT3/IO.

GPI refers to the digital input function of shared pins IOPA0–3, IOPB0–7, IOPC0–7, XINT2/IO, XINT3/IO.

## switching characteristics over recommended operating conditions for a GPI/O (see Figure 41)

| PARAMETER      |  | MIN   | MAX | UNIT |
|----------------|--|---|-----|------|
| $t_{d(GPO)CO}$ | Delay time, CLKOUT low to GPO low/high | XINT2/IO, XINT3/IO, IOPB6, IOPB7, and IOPC0 |     | ns   |
|                |  | All other GPOs                              |     |      |

## timing requirements over recommended operating conditions for a GPI/O (see Figure 42)

|            |                              | MIN             | MAX | UNIT |
|------------|------------------------------|-----------------|-----|------|
| $t_w(GPI)$ | Pulse duration, GPI high/low | $t_c(SYS) + 12$ |     | ns   |

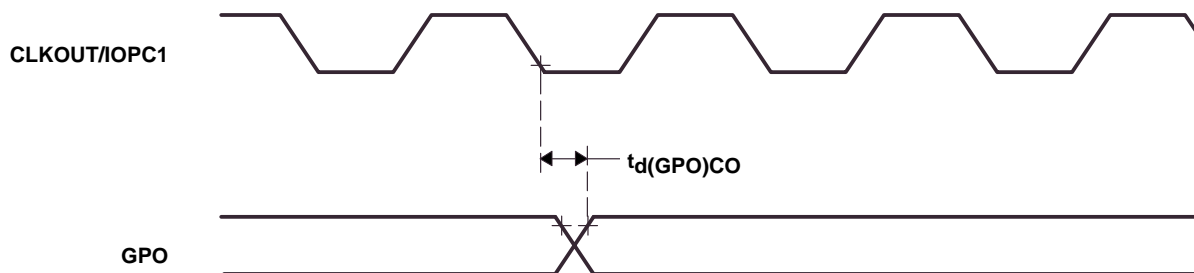


Figure 41. General-Purpose Output Timings



Figure 42. General-Purpose Input Timings

SERIAL COMMUNICATIONS INTERFACE (SCI) I/O TIMINGS

timing characteristics for SCI (see Note 2 and Figure 43)

| PARAMETER                                 | (BRR + 1)<br>IS EVEN AND BRR = 0 |                      | (BRR + 1)<br>IS ODD AND BRR ≠ 0 |                      | UNIT |
|---|----------------------------------|----------------------|---------------------------------|----------------------|------|
|   | MIN                              | MAX                  | MIN                             | MAX                  |      |
| $t_c(\text{SCC})$ Cycle time, SCICLK      | $16t_c$                          | $65536t_c$           | $24t_c$                         | $65535t_c$           | ns   |
| $t_v(\text{TXD})$ Valid time, SCITXD data | $t_c(\text{SCC})-70$             | $t_c(\text{SCC})+70$ | $t_c(\text{SCC})-70$            | $t_c(\text{SCC})+70$ | ns   |
| $t_v(\text{RXD})$ Valid time, SCIRXD data | $16t_c$                          |                      | $24t_c$                         |                      | ns   |

NOTE 2:  $t_c$  = system clock cycle time =  $1/\text{SYSCLK} = t_c(\text{SYS})$

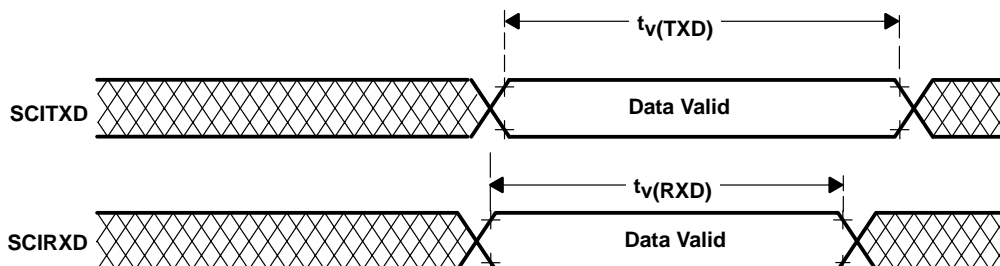


Figure 43. SCI Timings

**SPI MASTER MODE TIMING PARAMETERS**

SPI master mode timing information is listed in the following tables.

**SPI master mode external timing parameters (clock phase = 0)† (see Figure 44)**

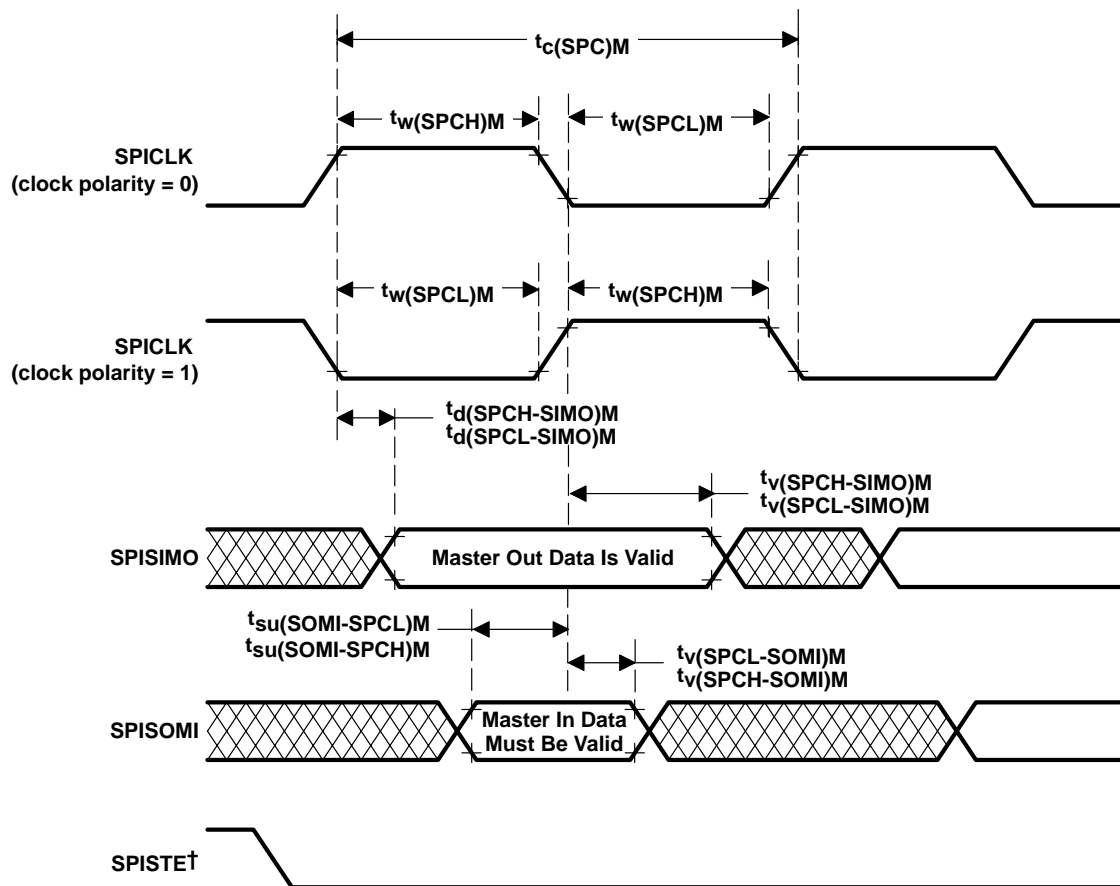
|                                 |   | WHEN (SPIBRR + 1) IS EVEN OR SPIBRR = 0 OR 2 |                        | WHEN (SPIBRR + 1) IS ODD AND SPIBRR > 3 |                                 | UNIT |
|---------------------------------|---|--|------------------------|---|---------------------------------|------|
|                                 |   | MIN  | MAX                    | MIN                                     | MAX                             |      |
| $t_c(\text{SPC})_M$             | Cycle time, SPICLK  | $4t_c^\ddagger$                              | $128t_c^\ddagger$      | $5t_c^\ddagger$                         | $127t_c^\ddagger$               | ns   |
| $t_w(\text{SPCH})_M^\S$         | Pulse duration, SPICLK high (clock polarity = 0)                      | $0.5t_c(\text{SPC})_M - 70$                  | $0.5t_c(\text{SPC})_M$ | $0.5t_c(\text{SPC})_M - 0.5t_c$         | $0.5t_c(\text{SPC})_M - 0.5t_c$ | ns   |
| $t_w(\text{SPCL})_M^\S$         | Pulse duration, SPICLK low (clock polarity = 1)                       | $0.5t_c(\text{SPC})_M - 70$                  | $0.5t_c(\text{SPC})_M$ | $0.5t_c(\text{SPC})_M - 0.5t_c - 70$    | $0.5t_c(\text{SPC})_M - 0.5t_c$ | ns   |
| $t_w(\text{SPCL})_M^\S$         | Pulse duration, SPICLK low (clock polarity = 0)                       | $0.5t_c(\text{SPC})_M - 70$                  | $0.5t_c(\text{SPC})_M$ | $0.5t_c(\text{SPC})_M + 0.5t_c - 70$    | $0.5t_c(\text{SPC})_M + 0.5t_c$ | ns   |
| $t_w(\text{SPCH})_M^\S$         | Pulse duration, SPICLK high (clock polarity = 1)                      | $0.5t_c(\text{SPC})_M - 70$                  | $0.5t_c(\text{SPC})_M$ | $0.5t_c(\text{SPC})_M + 0.5t_c - 70$    | $0.5t_c(\text{SPC})_M + 0.5t_c$ | ns   |
| $t_d(\text{SPCH-SIMO})_M^\S$    | Delay time, SPICLK high (clock polarity = 0) to SPISIMO valid         | - 10   | 10                     | - 10                                    | 10                              | ns   |
| $t_d(\text{SPCL-SIMO})_M^\S$    | Delay time, SPICLK low (clock polarity = 1) to SPISIMO valid          | - 10   | 10                     | - 10                                    | 10                              | ns   |
| $t_v(\text{SPCL-SIMO})_M^\S$    | Valid time, SPISIMO data valid after SPICLK low (clock polarity = 0)  | $0.5t_c(\text{SPC})_M - 70$                  |                        | $0.5t_c(\text{SPC})_M + 0.5t_c - 70$    |                                 | ns   |
| $t_v(\text{SPCH-SIMO})_M^\S$    | Valid time, SPISIMO data valid after SPICLK high (clock polarity = 1) | $0.5t_c(\text{SPC})_M - 70$                  |                        | $0.5t_c(\text{SPC})_M + 0.5t_c - 70$    |                                 | ns   |
| $t_{su}(\text{SOMI-SPCL})_M^\S$ | Setup time, SPISOMI before SPICLK low (clock polarity = 0)            | 0  |                        | 0                                       |                                 | ns   |
| $t_{su}(\text{SOMI-SPCH})_M^\S$ | Setup time, SPISOMI before SPICLK high (clock polarity = 1)           | 0  |                        | 0                                       |                                 | ns   |
| $t_v(\text{SPCL-SOMI})_M^\S$    | Valid time, SPISOMI data valid after SPICLK low (clock polarity = 0)  | $0.25t_c(\text{SPC})_M - 70$                 |                        | $0.5t_c(\text{SPC})_M - 0.5t_c - 70$    |                                 | ns   |
| $t_v(\text{SPCH-SOMI})_M^\S$    | Valid time, SPISOMI data valid after SPICLK high (clock polarity = 1) | $0.25t_c(\text{SPC})_M - 70$                 |                        | $0.5t_c(\text{SPC})_M - 0.5t_c - 70$    |                                 | ns   |

† The MASTER/SLAVE bit (SPICTL.2) is set and the CLOCK PHASE bit (SPICTL.3) is cleared.

‡  $t_c$  = system clock cycle time = 1/SYSCLK =  $t_c(\text{SYS})$

§ The active edge of the SPICLK signal referenced is controlled by the CLOCK POLARITY bit (SPICCR.6).

PARAMETER MEASUREMENT INFORMATION



† The SPISTE signal must be active before the SPI communication stream starts; the SPISTE signal must remain active until the SPI communication stream is complete.

Figure 44. SPI Master Mode External Timings (Clock Phase = 0)

SPI master mode external timing parameters (clock phase = 1)† (see Figure 45)

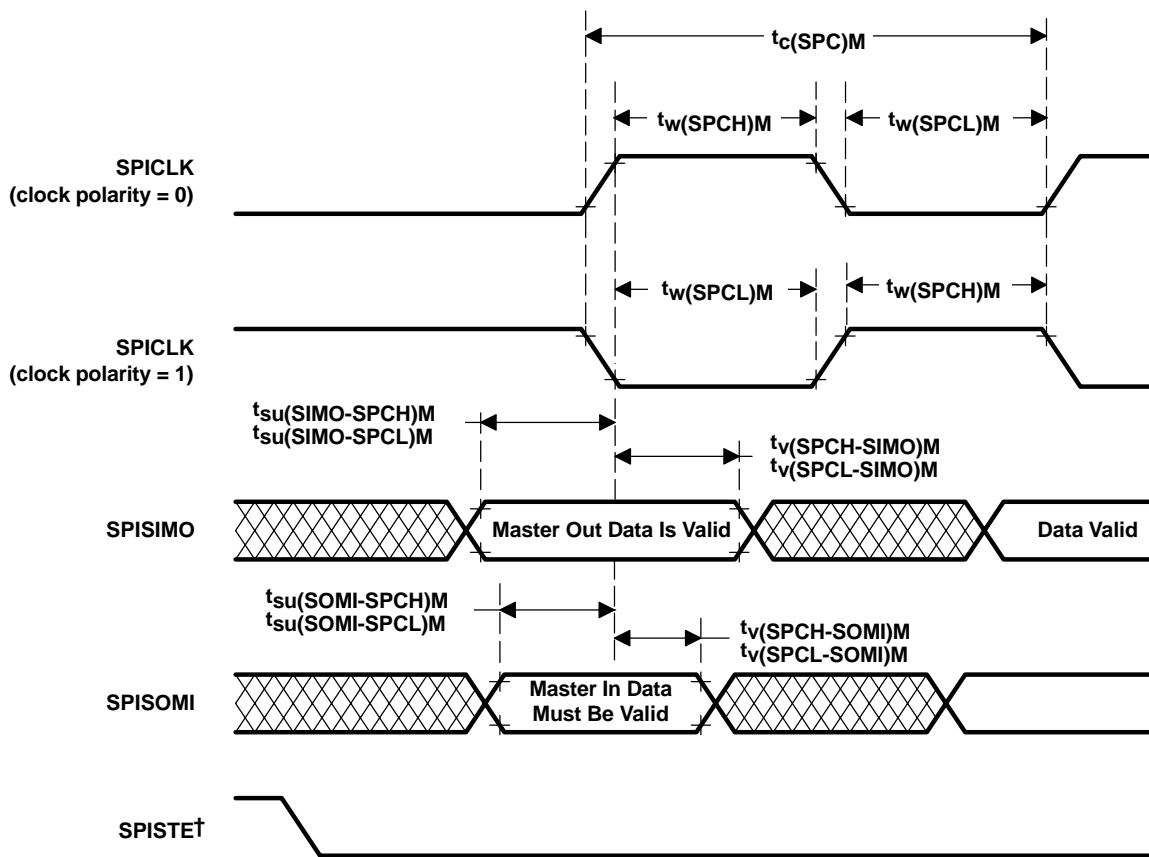
|                                 |   | WHEN (SPIBRR + 1) IS EVEN OR<br>SPIBRR = 0 OR 2 |                        | WHEN (SPIBRR + 1)<br>IS ODD AND SPIBRR > 3 |                               | UNIT |
|---------------------------------|---|---|------------------------|--|-------------------------------|------|
|                                 |   | MIN   | MAX                    | MIN  | MAX                           |      |
| $t_c(\text{SPC})_M$             | Cycle time, SPICLK  | $4t_c^\ddagger$                                 | $128t_c^\ddagger$      | $5t_c^\ddagger$                            | $127t_c^\ddagger$             | ns   |
| $t_w(\text{SPCH})_M^\S$         | Pulse duration, SPICLK high<br>(clock polarity = 0)                       | $0.5t_c(\text{SPC})_M-70$                       | $0.5t_c(\text{SPC})_M$ | $0.5t_c(\text{SPC})_M-0.5t_c-70$           | $0.5t_c(\text{SPC})_M-0.5t_c$ | ns   |
| $t_w(\text{SPCL})_M^\S$         | Pulse duration, SPICLK low (clock polarity = 1)                           | $0.5t_c(\text{SPC})_M-70$                       | $0.5t_c(\text{SPC})_M$ | $0.5t_c(\text{SPC})_M-0.5t_c-70$           | $0.5t_c(\text{SPC})_M-0.5t_c$ | ns   |
| $t_w(\text{SPCL})_M^\S$         | Pulse duration, SPICLK low (clock polarity = 0)                           | $0.5t_c(\text{SPC})_M-70$                       | $0.5t_c(\text{SPC})_M$ | $0.5t_c(\text{SPC})_M+0.5t_c-70$           | $0.5t_c(\text{SPC})_M+0.5t_c$ |      |
| $t_w(\text{SPCH})_M^\S$         | Pulse duration, SPICLK high<br>(clock polarity = 1)                       | $0.5t_c(\text{SPC})_M-70$                       | $0.5t_c(\text{SPC})_M$ | $0.5t_c(\text{SPC})_M+0.5t_c-70$           | $0.5t_c(\text{SPC})_M+0.5t_c$ | ns   |
| $t_{su}(\text{SIMO-SPCH})_M^\S$ | Setup time, SPISIMO data valid before SPICLK high<br>(clock polarity = 0) | $0.5t_c(\text{SPC})_M-70$                       |                        | $0.5t_c(\text{SPC})_M-70$                  |                               | ns   |
| $t_{su}(\text{SIMO-SPCL})_M^\S$ | Setup time, SPISIMO data valid before SPICLK low<br>(clock polarity = 1)  | $0.5t_c(\text{SPC})_M-70$                       |                        | $0.5t_c(\text{SPC})_M-70$                  |                               |      |
| $t_v(\text{SPCH-SIMO})_M^\S$    | Valid time, SPISIMO data valid after SPICLK high<br>(clock polarity = 0)  | $0.5t_c(\text{SPC})_M-70$                       |                        | $0.5t_c(\text{SPC})_M-70$                  |                               | ns   |
| $t_v(\text{SPCL-SIMO})_M^\S$    | Valid time, SPISIMO data valid after SPICLK low<br>(clock polarity = 1)   | $0.5t_c(\text{SPC})_M-70$                       |                        | $0.5t_c(\text{SPC})_M-70$                  |                               |      |
| $t_{su}(\text{SOMI-SPCH})_M^\S$ | Setup time, SPISOMI before SPICLK high<br>(clock polarity = 0)            | 0   |                        | 0  |                               | ns   |
| $t_{su}(\text{SOMI-SPCL})_M^\S$ | Setup time, SPISOMI before SPICLK low<br>(clock polarity = 1)             | 0   |                        | 0  |                               |      |
| $t_v(\text{SPCH-SOMI})_M^\S$    | Valid time, SPISOMI data valid after SPICLK high<br>(clock polarity = 0)  | $0.25t_c(\text{SPC})_M-70$                      |                        | $0.5t_c(\text{SPC})_M-70$                  |                               | ns   |
| $t_v(\text{SPCL-SOMI})_M^\S$    | Valid time, SPISOMI data valid after SPICLK low<br>(clock polarity = 1)   | $0.25t_c(\text{SPC})_M-70$                      |                        | $0.5t_c(\text{SPC})_M-70$                  |                               |      |

† The MASTER/SLAVE bit (SPICTL.2) is set and the CLOCK PHASE bit (SPICTL.3) is set.

‡  $t_c$  = system clock cycle time = 1/SYSCLK =  $t_c(\text{SYS})$

§ The active edge of the SPICLK signal referenced is controlled by the CLOCK POLARITY bit (SPICCR.6).

PARAMETER MEASUREMENT INFORMATION



† The SPISTE signal must be active before the SPI communication stream starts; the SPISTE signal must remain active until the SPI communication stream is complete.

Figure 45. SPI Master Mode External Timings (Clock Phase = 1)

# TMS320F240 DSP CONTROLLER

SPRS042E – OCTOBER 1996 – REVISED NOVEMBER 2002

## SPI SLAVE MODE TIMING PARAMETERS

Slave mode timing information is listed in the following tables.

### SPI slave mode external timing parameters (clock phase = 0)† (see Figure 46)

|                                 |   | MIN                           | MAX                    | UNIT |
|---------------------------------|---|-------------------------------|------------------------|------|
| $t_c(\text{SPC})_S$             | Cycle time, SPICLK  | $8t_c^\ddagger$               |                        | ns   |
| $t_w(\text{SPCH})_S^\S$         | Pulse duration, SPICLK high (clock polarity = 0)                      | $0.5t_c(\text{SPC})_S - 70$   | $0.5t_c(\text{SPC})_S$ | ns   |
| $t_w(\text{SPCL})_S^\S$         | Pulse duration, SPICLK low (clock polarity = 1)                       | $0.5t_c(\text{SPC})_S - 70$   | $0.5t_c(\text{SPC})_S$ |      |
| $t_w(\text{SPCL})_S^\S$         | Pulse duration, SPICLK low (clock polarity = 0)                       | $0.5t_c(\text{SPC})_S - 70$   | $0.5t_c(\text{SPC})_S$ | ns   |
| $t_w(\text{SPCH})_S^\S$         | Pulse duration, SPICLK high (clock polarity = 1)                      | $0.5t_c(\text{SPC})_S - 70$   | $0.5t_c(\text{SPC})_S$ |      |
| $t_d(\text{SPCH-SOMI})_S^\S$    | Delay time, SPICLK high (clock polarity = 0) to SPISOMI valid         | $0.375t_c(\text{SPC})_S - 70$ |                        | ns   |
| $t_d(\text{SPCL-SOMI})_S^\S$    | Delay time, SPICLK low (clock polarity = 1) to SPISOMI valid          | $0.375t_c(\text{SPC})_S - 70$ |                        |      |
| $t_v(\text{SPCL-SOMI})_S^\S$    | Valid time, SPISOMI data valid after SPICLK low (clock polarity = 0)  | $0.75t_c(\text{SPC})_S$       |                        | ns   |
| $t_v(\text{SPCH-SOMI})_S^\S$    | Valid time, SPISOMI data valid after SPICLK high (clock polarity = 1) | $0.75t_c(\text{SPC})_S$       |                        |      |
| $t_{su}(\text{SIMO-SPCL})_S^\S$ | Setup time, SPISIMO before SPICLK low (clock polarity = 0)            | 0                             |                        | ns   |
| $t_{su}(\text{SIMO-SPCH})_S^\S$ | Setup time, SPISIMO before SPICLK high (clock polarity = 1)           | 0                             |                        |      |
| $t_v(\text{SPCL-SIMO})_S^\S$    | Valid time, SPISIMO data valid after SPICLK low (clock polarity = 0)  | $0.5t_c(\text{SPC})_S$        |                        | ns   |
| $t_v(\text{SPCH-SIMO})_S^\S$    | Valid time, SPISIMO data valid after SPICLK high (clock polarity = 1) | $0.5t_c(\text{SPC})_S$        |                        |      |

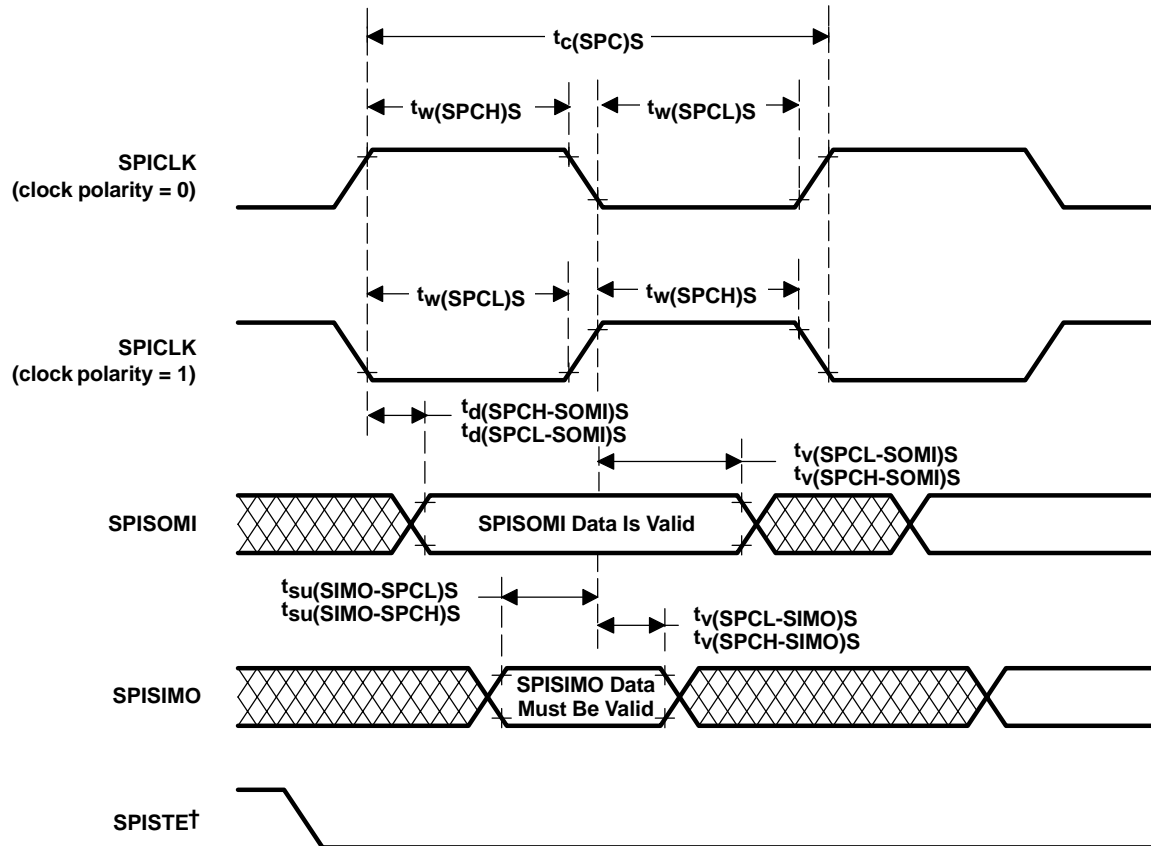
† The MASTER/SLAVE bit (SPICTL.2) is cleared and the CLOCK PHASE bit (SPICTL.3) is cleared.

‡  $t_c$  = system clock cycle time =  $1/\text{SYSCLK} = t_c(\text{SYS})$

§ The active edge of the SPICLK signal referenced is controlled by the CLOCK POLARITY bit (SPICCR.6).



PARAMETER MEASUREMENT INFORMATION



† The SPISTE signal must be active before the SPI communication stream starts; the SPISTE signal must remain active until the SPI communication stream is complete.

Figure 46. SPI Slave Mode External Timing (Clock Phase = 0)

# TMS320F240 DSP CONTROLLER

SPRS042E – OCTOBER 1996 – REVISED NOVEMBER 2002

## SPI slave mode external timing parameters (clock phase = 1)<sup>†</sup> (see Figure 47)

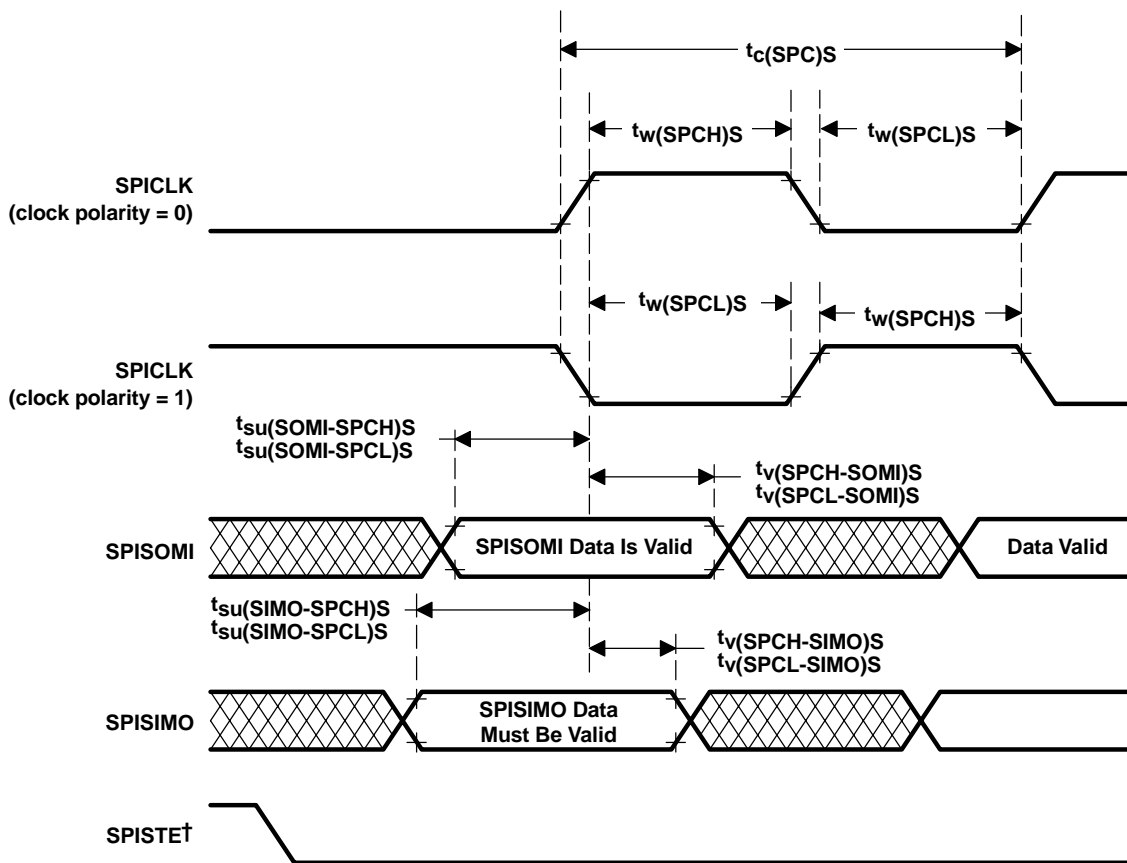
|                                  |   | MIN                      | MAX                   | UNIT |
|----------------------------------|---|--------------------------|-----------------------|------|
| $t_c(\text{SPC})S$               | Cycle time, SPICLK  | $8t_c^{\ddagger}$        |                       | ns   |
| $t_w(\text{SPCH})S^{\S}$         | Pulse duration, SPICLK high (clock polarity = 0)                      | $0.5t_c(\text{SPC})S-70$ | $0.5t_c(\text{SPC})S$ | ns   |
| $t_w(\text{SPCL})S^{\S}$         | Pulse duration, SPICLK low (clock polarity = 1)                       | $0.5t_c(\text{SPC})S-70$ | $0.5t_c(\text{SPC})S$ |      |
| $t_w(\text{SPCL})S^{\S}$         | Pulse duration, SPICLK low (clock polarity = 0)                       | $0.5t_c(\text{SPC})S-70$ | $0.5t_c(\text{SPC})S$ | ns   |
| $t_w(\text{SPCH})S^{\S}$         | Pulse duration, SPICLK high (clock polarity = 1)                      | $0.5t_c(\text{SPC})S-70$ | $0.5t_c(\text{SPC})S$ |      |
| $t_{su}(\text{SOMI-SPCH})S^{\S}$ | Setup time, SPISOMI before SPICLK high (clock polarity = 0)           | $0.125t_c(\text{SPC})S$  |                       | ns   |
| $t_{su}(\text{SOMI-SPCL})S^{\S}$ | Setup time, SPISOMI before SPICLK low (clock polarity = 1)            | $0.125t_c(\text{SPC})S$  |                       |      |
| $t_v(\text{SPCH-SOMI})S^{\S}$    | Valid time, SPISOMI data valid after SPICLK high (clock polarity = 0) | $0.75t_c(\text{SPC})S$   |                       | ns   |
| $t_v(\text{SPCL-SOMI})S^{\S}$    | Valid time, SPISOMI data valid after SPICLK low (clock polarity = 1)  | $0.75t_c(\text{SPC})S$   |                       |      |
| $t_{su}(\text{SIMO-SPCH})S^{\S}$ | Setup time, SPISIMO before SPICLK high (clock polarity = 0)           | 0                        |                       | ns   |
| $t_{su}(\text{SIMO-SPCL})S^{\S}$ | Setup time, SPISIMO before SPICLK low (clock polarity = 1)            | 0                        |                       |      |
| $t_v(\text{SPCH-SIMO})S^{\S}$    | Valid time, SPISIMO data valid after SPICLK high (clock polarity = 0) | $0.5t_c(\text{SPC})S$    |                       | ns   |
| $t_v(\text{SPCL-SIMO})S^{\S}$    | Valid time, SPISIMO data valid after SPICLK low (clock polarity = 1)  | $0.5t_c(\text{SPC})S$    |                       |      |

<sup>†</sup> The MASTER/SLAVE bit (SPICTL.2) is cleared and the CLOCK PHASE bit (SPICTL.3) is set.

<sup>‡</sup>  $t_c$  = system clock cycle time =  $1/\text{SYSCLK} = t_c(\text{SYS})$

<sup>§</sup> The active edge of the SPICLK signal referenced is controlled by the CLOCK POLARITY bit (SPICCR.6).

PARAMETER MEASUREMENT INFORMATION



† The SPISTE signal must be active before the SPI communication stream starts; the SPISTE signal must remain active until the SPI communication stream is complete.

Figure 47. SPI Slave Mode External Timing (Clock Phase = 1)

# TMS320F240 DSP CONTROLLER

SPRS042E – OCTOBER 1996 – REVISED NOVEMBER 2002

## 10-bit dual analog-to-digital converter (ADC)

The 10-bit dual ADC has a separate power bus for its analog circuitry. These pins are referred to as  $V_{CCA}$  and  $V_{SSA}$ . The purpose is to enhance ADC performance by preventing digital switching noise of the logic circuitry that can be present on  $V_{SS}$  and  $V_{CC}$  from coupling into the ADC analog stage. All ADC specifications are given with respect to  $V_{SSA}$  unless otherwise noted.

Resolution ..... 10-bit (1024 values)  
 Monotonic ..... Assured  
 Output conversion mode ..... 000h to 3FFh (000h for  $V_I \leq V_{SSA}$ ; 3FFh for  $V_I \geq V_{CCA}$ )

## recommended operating conditions

|             |                                      | MIN         | NOM | MAX         | UNIT |
|-------------|--------------------------------------|-------------|-----|-------------|------|
| $V_{CCA}$   | Analog supply voltage                | 4.5         | 5   | 5.5         | V    |
| $V_{SSA}$   | Analog ground                        |             | 0   |             | V    |
| $V_{REFHI}$ | Analog supply reference source†      | $V_{REFLO}$ |     | $V_{CCA}$   | V    |
| $V_{REFLO}$ | Analog ground reference source†      | $V_{SSA}$   |     | $V_{REFHI}$ | V    |
| $V_{AI}$    | Analog input voltage, ADCIN0–ADCIN15 | $V_{SSA}$   |     | $V_{CCA}$   | V    |

†  $V_{REFHI}$  and  $V_{REFLO}$  must be stable, within  $\pm 1/2$  LSB of the required resolution, during the entire conversion time.



**operating characteristics over recommended operating condition ranges†**

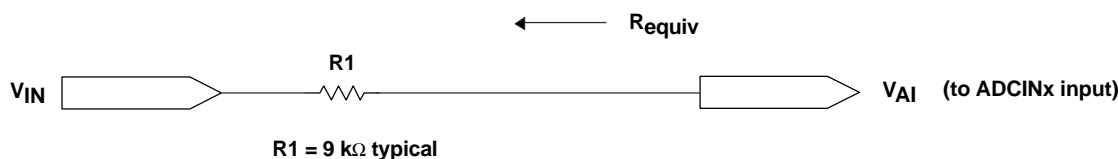
| PARAMETER          |  | DESCRIPTION  | MIN                   | MAX  | UNIT |
|--------------------|--|--|-----------------------|------|------|
| I <sub>CCA</sub>   | Analog supply current  | V <sub>CCA</sub> = 5.5 V   | converting            | 5    | mA   |
|                    |  |  | non-converting        | 2    |      |
|                    |  | V <sub>CCA</sub> = V <sub>REFHI</sub> = 5.5 V  | PLL or OSC power down | 1    |      |
| I <sub>ref</sub>   | Input charge current, V <sub>REFHI</sub> or V <sub>REFLO</sub> | V <sub>CCA</sub> = V <sub>CCD</sub> = V <sub>REFHI</sub> = 5.5 V, V <sub>REFLO</sub> = 0 V                               |                       | 5    | mA   |
| C <sub>ai</sub>    | Analog input capacitance                                       | Typical capacitive load on analog input pin  | non-sampling          | 6    | pF   |
|                    |  |  | sampling              | 8    |      |
| Z <sub>AI</sub>    | Analog input source impedance                                  | Analog input source impedance for conversions to remain within specifications.   |                       | 9    | kΩ   |
| E <sub>DNL</sub>   | Differential nonlinearity error                                | Difference between the actual step width and the ideal value   | -1                    | 1.5  | LSB  |
| E <sub>INL</sub>   | Integral nonlinearity error                                    | Maximum deviation from the best straight line through the ADC transfer characteristics, excluding the quantization error |                       | ±1.5 | LSB  |
| t <sub>d(PU)</sub> | Delay time, power-up to ADC valid                              | Time to stabilize analog stage after power-up  |                       | 10   | μs   |

† Absolute resolution = 4.89 mV. At V<sub>REFHI</sub> = 5 V and V<sub>REFLO</sub> = 0 V, this is one LSB. As V<sub>REFHI</sub> decreases, V<sub>REFLO</sub> increases, or both, the LSB sizes decrease. Therefore, the absolute accuracy and differential/integral linearity errors in terms of LSBs increase.

The ADC module allows complete freedom in the design of the sources for the analog inputs. The period of the sample time is independent of the source impedance. The sample-and-hold period occurs in the first ADC clock after the ADCIMSTART bit or the ADCSOC bit of the ADC control register 1 (ADCTRL1, bits 13 and 0, respectively) is set to 1. The conversion then occurs during the next six ADC clock cycles. The digital result registers are updated on the next ADC clock cycle once the conversion is completed.

**ADC input pin circuit**

One of the most common A/D application errors is inappropriate source impedance. In practice, minimum source impedance should be used to limit the error as well as minimize the required sampling time; however, the source impedance must be smaller than Z<sub>AI</sub>. A typical ADC input pin circuit is shown in Figure 48.



**Figure 48. Typical ADC Input Pin Circuit**

# TMS320F240 DSP CONTROLLER

SPRS042E – OCTOBER 1996 – REVISED NOVEMBER 2002

## ADC timing requirements (see Figure 49)

|                 |  | MIN          | MAX | UNIT    |
|-----------------|--|--------------|-----|---------|
| $t_c(AD)$       | Cycle time, ADC prescaled clock  | 1            |     | $\mu s$ |
| $t_w(SHC)$      | Pulse duration, total sample/hold and conversion time (see Note 3)           | 6.1          |     | $\mu s$ |
| $t_w(SH)$       | Pulse duration, sample and hold time   | $t_c(AD)$    |     | $\mu s$ |
| $t_{su}(SH)$    | Setup time, analog input stable before sample/hold start                     | 0            |     | ns      |
| $t_h(SH)$       | Hold time, analog input stable after sample/hold complete                    | 0            |     | ns      |
| $t_w(C)$        | Pulse duration, total conversion time  | $4.5t_c(AD)$ |     | $\mu s$ |
| $t_d(SOC-SH)$   | Delay time, start of conversion <sup>†</sup> to beginning of sample and hold | $3t_c(SYS)$  |     | ns      |
| $t_d(EOC-FIFO)$ | Delay time, end of conversion to data loaded into result FIFO                | $3t_c(SYS)$  |     | ns      |

<sup>†</sup> Start of conversion is signaled by the ADCIMSTART bit or the ADCSOC bit set in software, the external start signal active (ADC SOC), or internal EVSOC signal active.

NOTE 3: The total sample/hold and conversion time is determined by the summation of  $t_d(SOC-SH)$ ,  $t_w(SH)$ ,  $t_w(C)$ , and  $t_d(EOC-FIFO)$ .

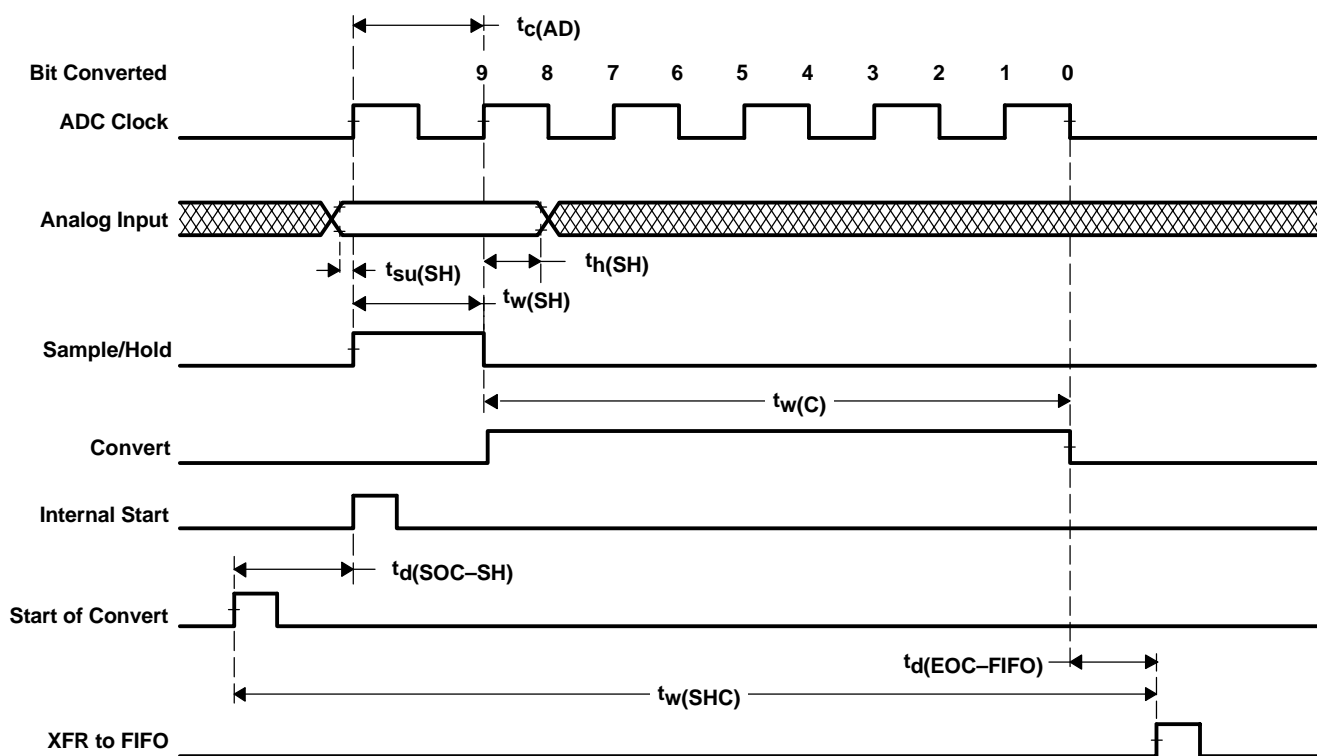


Figure 49. Analog-to-Digital Timing

## flash EEPROM

### switching characteristics over recommended operating conditions

| PARAMETER                     | MIN | TYP | MAX  | UNIT   |
|-------------------------------|-----|-----|------|--------|
| Program-erase endurance       | 10K |     |      | Cycles |
| Program pulses per word†      | 1   | 10  | 150  | Pulses |
| Erase pulses per array†       | 1   | 20  | 1000 | Pulses |
| Flash-write pulses per array† | 1   | 20  | 6000 | Pulses |

† These parameters are used in the flash programming algorithms. For a detailed description of the algorithms, see the *TMS320F20x/F24x DSP Embedded Flash Memory Technical Reference* (literature number SPRU282).

### timing requirements over recommended operating conditions

|   | MIN | MAX | UNIT          |
|---|-----|-----|---------------|
| $t_d(\text{BUSY})$ Delay time, after mode deselect to stabilization†          | 10  |     | $\mu\text{s}$ |
| $t_d(\text{RD-VERIFY})$ Delay time, verify read mode select to stabilization† | 10  |     | $\mu\text{s}$ |

† These parameters are used in the flash programming algorithms. For a detailed description of the algorithms, see the *TMS320F20x/F24x DSP Embedded Flash Memory Technical Reference* (literature number SPRU282).

### programming operation

| PARAMETER  | MIN | NOM | MAX | UNIT          |
|--|-----|-----|-----|---------------|
| $t_w(\text{PGM})$ Pulse duration, programming algorithm†                 | 95  | 100 | 105 | $\mu\text{s}$ |
| $t_d(\text{PGM-MODE})$ Delay time, program mode select to stabilization† | 10  |     |     | $\mu\text{s}$ |

† These parameters are used in the flash programming algorithms. For a detailed description of the algorithms, see the *TMS320F20x/F24x DSP Embedded Flash Memory Technical Reference* (literature number SPRU282).

### erase operation

| PARAMETER  | MIN  | NOM | MAX  | UNIT          |
|--|------|-----|------|---------------|
| $t_w(\text{ERASE})$ Pulse duration, erase algorithm†                     | 6.65 | 7   | 7.35 | ms            |
| $t_d(\text{ERASE-MODE})$ Delay time, erase mode select to stabilization† | 10   |     |      | $\mu\text{s}$ |

† These parameters are used in the flash programming algorithms. For a detailed description of the algorithms, see the *TMS320F20x/F24x DSP Embedded Flash Memory Technical Reference* (literature number SPRU282).

### flash-write operation

| PARAMETER   | MIN  | NOM | MAX  | UNIT          |
|---|------|-----|------|---------------|
| $t_w(\text{FLW})$ Pulse duration, flash-write algorithm†‡                     | 13.3 | 14  | 14.7 | ms            |
| $t_d(\text{FLW-MODE})$ Delay time, flash-write mode select to stabilization†‡ | 10   |     |      | $\mu\text{s}$ |

† These parameters are used in the flash programming algorithms. For a detailed description of the algorithms, see the *TMS320F20x/F24x DSP Embedded Flash Memory Technical Reference* (literature number SPRU282).

‡ Refer to the **recommended operating conditions** section for the flash programming operating temperature range when programming flash.

# TMS320F240 DSP CONTROLLER

SPRS042E – OCTOBER 1996 – REVISED NOVEMBER 2002

## register file compilation

Table 20 is a collection of all the programmable registers of the TMS320F240 (provided for a quick reference).

**Table 20. Register File Compilation**

| ADDR   | BIT 15                                      | BIT 14   | BIT 13    | BIT 12    | BIT 11    | BIT 10    | BIT 9     | BIT 8     | REG     |
|--|---|----------|-----------|-----------|-----------|-----------|-----------|-----------|---------|
|  | BIT 7                                       | BIT 6    | BIT 5     | BIT 4     | BIT 3     | BIT 2     | BIT 1     | BIT 0     |         |
| <b>DATA MEMORY SPACE</b>                         |   |          |           |           |           |           |           |           |         |
| <b>CPU STATUS REGISTERS</b>                      |   |          |           |           |           |           |           |           |         |
|  | ARP   |          |           | OV        | OVM       | 1         | INTM      | DP(8)     | ST0     |
|  | DP(7)                                       | DP(6)    | DP(5)     | DP(4)     | DP(3)     | DP(2)     | DP(1)     | DP(0)     |         |
|  | ARB   |          |           | CNF       | TC        | SXM       | C         | 1         | ST1     |
|  | 1   | 1        | 1         | XF        | 1         | 1         |           | PM        |         |
| <b>GLOBAL MEMORY AND CPU INTERRUPT REGISTERS</b> |   |          |           |           |           |           |           |           |         |
| 00004h   | —   | —        | —         | —         | —         | —         | —         | —         | IMR     |
|  | —   | —        | INT6 MASK | INT5 MASK | INT4 MASK | INT3 MASK | INT2 MASK | INT1 MASK |         |
| 00005h   | Global Data Memory Configuration Bits (7–0) |          |           |           |           |           |           |           | GREG    |
|  | —   | —        | —         | —         | —         | —         | —         | —         |         |
| 00006h   | —   | —        | INT6 FLAG | INT5 FLAG | INT4 FLAG | INT3 FLAG | INT2 FLAG | INT1 FLAG | IFR     |
|  | —   | —        | —         | —         | —         | —         | —         | —         |         |
| <b>SYSTEM CONFIGURATION REGISTERS</b>            |   |          |           |           |           |           |           |           |         |
| 07018h   | RESET1                                      | RESET0   | —         | —         | —         | —         | —         | —         | SYSCR   |
|  | CLKSRC1                                     | CLKSRC0  | —         | —         | —         | —         | —         | —         |         |
| 07019h   | Reserved                                    |          |           |           |           |           |           |           |         |
| 0701Ah   | PORST                                       | —        | —         | ILLADR    | —         | SWRST     | WDRST     | —         | SYSSR   |
|  | —   | —        | HPO       | —         | VCCAOR    | —         | —         | VECRD     |         |
| 0701Bh<br>to<br>0701Dh                           | Reserved                                    |          |           |           |           |           |           |           |         |
| 0701Eh   | 0   | 0        | 0         | 0         | 0         | 0         | 0         | 0         | SYSIVR  |
|  | D7  | D6       | D5        | D4        | D3        | D2        | D1        | D0        |         |
| 0701Fh   | Reserved                                    |          |           |           |           |           |           |           |         |
| <b>WD/RTI CONTROL REGISTERS</b>                  |   |          |           |           |           |           |           |           |         |
| 07020h   | Reserved                                    |          |           |           |           |           |           |           |         |
| 07021h   | D7  | D6       | D5        | D4        | D3        | D2        | D1        | D0        | RTICNTR |
| 07022h   | Reserved                                    |          |           |           |           |           |           |           |         |
| 07023h   | D7  | D6       | D5        | D4        | D3        | D2        | D1        | D0        | WDCNTR  |
| 07024h   | Reserved                                    |          |           |           |           |           |           |           |         |
| 07025h   | D7  | D6       | D5        | D4        | D3        | D2        | D1        | D0        | WDKEY   |
| 07026h   | Reserved                                    |          |           |           |           |           |           |           |         |
| 07027h   | RTI FLAG                                    | RTI ENA  | —         | —         | —         | RTIPS2    | RTIPS1    | RTIPS0    | RTICR   |
| 07028h   | Reserved                                    |          |           |           |           |           |           |           |         |
| 07029h   | WD FLAG                                     | WDDIS    | WDCHK2    | WDCHK1    | WDCHK0    | WDPS2     | WDPS1     | WDPS0     | WDCR    |
|  | Reserved                                    |          |           |           |           |           |           |           |         |
| <b>PLL CLOCK CONTROL REGISTERS</b>               |   |          |           |           |           |           |           |           |         |
| 0702Ah   | Reserved                                    |          |           |           |           |           |           |           |         |
| 0702Bh   | CLKMD(1)                                    | CLKMD(0) | PLLOCK(1) | PLLOCK(0) | PLLPM(1)  | PLLPM(0)  | ACLKENA   | PLLPS     | CKCR0   |
| 0702Ch   | Reserved                                    |          |           |           |           |           |           |           |         |





**register file compilation (continued)**

**Table 20. Register File Compilation (Continued)**

| ADDR   | BIT 15           | BIT 14           | BIT 13           | BIT 12           | BIT 11          | BIT 10           | BIT 9            | BIT 8            | REG      |
|--|------------------|------------------|------------------|------------------|-----------------|------------------|------------------|------------------|----------|
|  | BIT 7            | BIT 6            | BIT 5            | BIT 4            | BIT 3           | BIT 2            | BIT 1            | BIT 0            |          |
| <b>PLL CLOCK CONTROL REGISTERS (CONTINUED)</b>                           |                  |                  |                  |                  |                 |                  |                  |                  |          |
| 0702Dh   | CKINF(3)         | CKINF(2)         | CKINF(1)         | CKINF(0)         | PLLDIV(2)       | PLLFB(2)         | PLLFB(1)         | PLLFB(0)         | CKCR1    |
| 0702Eh<br>to<br>07031h   | Reserved         |                  |                  |                  |                 |                  |                  |                  |          |
| <b>A-to-D MODULE CONTROL REGISTERS</b>                                   |                  |                  |                  |                  |                 |                  |                  |                  |          |
| 07032h   | SUSPEND-SOFT     | SUSPEND-FREE     | ADCIM-START      | ADC2EN           | ADC1EN          | ADCCON-RUN       | ADCINTEN         | ADCINTFLAG       | ADCTRL1  |
|  | ADCEOC           | ADC2CHSEL        |                  |                  | ADC1CHSEL       |                  |                  | ADCSOC           |          |
| 07033h   | Reserved         |                  |                  |                  |                 |                  |                  |                  |          |
| 07034h   | —                | —                | —                | —                | —               | ADCEVSOC         | ADCEXTSOC        | —                | ADCTRL2  |
|  | ADCFIFO2         |                  | —                | ADCFIFO1         |                 | ADCPSCALE        |                  |                  |          |
| 07035h   | Reserved         |                  |                  |                  |                 |                  |                  |                  |          |
| 07036h   | D9               | D8               | D7               | D6               | D5              | D4               | D3               | D2               | ADCFIFO1 |
|  | D1               | D0               | 0                | 0                | 0               | 0                | 0                | 0                |          |
| 07037h   | Reserved         |                  |                  |                  |                 |                  |                  |                  |          |
| 07038h   | D9               | D8               | D7               | D6               | D5              | D4               | D3               | D2               | ADCFIFO2 |
|  | D1               | D0               | 0                | 0                | 0               | 0                | 0                | 0                |          |
| 07039h<br>to<br>0703Fh   | Reserved         |                  |                  |                  |                 |                  |                  |                  |          |
| <b>SERIAL PERIPHERAL INTERFACE (SPI) CONFIGURATION CONTROL REGISTERS</b> |                  |                  |                  |                  |                 |                  |                  |                  |          |
| 07040h   | SPI SW RESET     | CLOCK POLARITY   | —                | —                | —               | SPI CHAR2        | SPI CHAR1        | SPI CHAR0        | SPICCR   |
| 07041h   | —                | —                | —                | OVERRUN INT ENA  | CLOCK PHASE     | MASTER/SLAVE     | TALK             | SPI INT ENA      | SPICTL   |
| 07042h   | RECEIVER OVERRUN | SPI INT FLAG     | —                | —                | —               | —                | —                | —                | SPISTS   |
| 07043h   | Reserved         |                  |                  |                  |                 |                  |                  |                  |          |
| 07044h   | —                | SPI BIT RATE 6   | SPI BIT RATE 5   | SPI BIT RATE 4   | SPI BIT RATE 3  | SPI BIT RATE 2   | SPI BIT RATE 1   | SPI BIT RATE 0   | SPIBRR   |
| 07045h   | Reserved         |                  |                  |                  |                 |                  |                  |                  |          |
| 07046h   | ERCVD7           | ERCVD6           | ERCVD5           | ERCVD4           | ERCVD3          | ERCVD2           | ERCVD1           | ERCVD0           | SPIEMU   |
| 07047h   | RCVD7            | RCVD6            | RCVD5            | RCVD4            | RCVD3           | RCVD2            | RCVD1            | RCVD0            | SPIBUF   |
| 07048h   | Reserved         |                  |                  |                  |                 |                  |                  |                  |          |
| 07049h   | SDAT7            | SDAT6            | SDAT5            | SDAT4            | SDAT3           | SDAT2            | SDAT1            | SDAT0            | SPIDAT   |
| 0704Ah<br>to<br>0704Ch   | Reserved         |                  |                  |                  |                 |                  |                  |                  |          |
| 0704Dh   | SPISTE DATA IN   | SPISTE DATA OUT  | SPISTE FUNCTION  | SPISTE DATA DIR  | SPICLK DATA IN  | SPICLK DATA OUT  | SPICLK FUNCTION  | SPICLK DATA DIR  | SPIPC1   |
| 0704Eh   | SPISIMO DATA IN  | SPISIMO DATA OUT | SPISIMO FUNCTION | SPISIMO DATA DIR | SPISOMI DATA IN | SPISOMI DATA OUT | SPISOMI FUNCTION | SPISOMI DATA DIR | SPIPC2   |
| 0704Fh   | —                | SPI PRIORITY     | SPI ESPEN        | —                | —               | —                | —                | —                | SPIPRI   |

# TMS320F240 DSP CONTROLLER

SPRS042E – OCTOBER 1996 – REVISED NOVEMBER 2002

## register file compilation (continued)

**Table 20. Register File Compilation (Continued)**

| ADDR   | BIT 15         | BIT 14          | BIT 13          | BIT 12          | BIT 11         | BIT 10          | BIT 9           | BIT 8           | REG      |
|--|----------------|-----------------|-----------------|-----------------|----------------|-----------------|-----------------|-----------------|----------|
|  | BIT 7          | BIT 6           | BIT 5           | BIT 4           | BIT 3          | BIT 2           | BIT 1           | BIT 0           |          |
| <b>SERIAL COMMUNICATIONS INTERFACE (SCI) CONFIGURATION CONTROL REGISTERS</b> |                |                 |                 |                 |                |                 |                 |                 |          |
| 07050h   | STOP BITS      | EVEN/ODD PARITY | PARITY ENABLE   | SCI ENA         | ADDR/IDLE MODE | SCI CHAR2       | SCI CHAR1       | SCI CHAR0       | SCICCR   |
| 07051h   | —              | RX ERR INT ENA  | SW RESET        | CLOCK ENA       | TXWAKE         | SLEEP           | TXENA           | RXENA           | SCICTL1  |
| 07052h   | BAUD15 (MSB)   | BAUD14          | BAUD13          | BAUD12          | BAUD11         | BAUD10          | BAUD9           | BAUD8           | SCIHBAUD |
| 07053h   | BAUD7          | BAUD6           | BAUD5           | BAUD4           | BAUD3          | BAUD2           | BAUD1           | BAUD0 (LSB)     | SCILBAUD |
| 07054h   | TXRDY          | TX EMPTY        | —               | —               | —              | —               | RX/BK INT ENA   | TX INT ENA      | SCICTL2  |
| 07055h   | RX ERROR       | RXRDY           | BRKDT           | FE              | OE             | PE              | RXWAKE          | —               | SCIRXST  |
| 07056h   | ERXDT7         | ERXDT6          | ERXDT5          | ERXDT4          | ERXDT3         | ERXDT2          | ERXDT1          | ERXDT0          | SCIRXEMU |
| 07057h   | RXDT7          | RXDT6           | RXDT5           | RXDT4           | RXDT3          | RXDT2           | RXDT1           | RXDT0           | SCIRXBUF |
| 07058h   | Reserved       |                 |                 |                 |                |                 |                 |                 |          |
| 07059h   | TXDT7          | TXDT6           | TXDT5           | TXDT4           | TXDT3          | TXDT2           | TXDT1           | TXDT0           | SCITXBUF |
| 0705Ah to 0705Dh   | Reserved       |                 |                 |                 |                |                 |                 |                 |          |
| 0705Eh   | SCITXD DATA IN | SCITXD DATA OUT | SCITXD FUNCTION | SCITXD DATA DIR | SCIRXD DATA IN | SCIRXD DATA OUT | SCIRXD FUNCTION | SCIRXD DATA DIR | SCIPC2   |
| 0705Fh   | —              | SCITX PRIORITY  | SCIRX PRIORITY  | SCI ESPEN       | —              | —               | —               | —               | SCIPRI   |
| 07060h to 0706Fh   | Reserved       |                 |                 |                 |                |                 |                 |                 |          |
| <b>EXTERNAL INTERRUPT CONTROL REGISTERS</b>                                  |                |                 |                 |                 |                |                 |                 |                 |          |
| 07070h   | XINT1 FLAG     | —               | —               | —               | —              | —               | —               | —               | XINT1CR  |
|  | —              | XINT1 PIN DATA  | 0               | —               | —              | XINT1 POLARITY  | XINT1 PRIORITY  | XINT1 ENA       |          |
| 07071h   | Reserved       |                 |                 |                 |                |                 |                 |                 |          |
| 07072h   | NMI FLAG       | —               | —               | —               | —              | —               | —               | —               | NMICR    |
|  | —              | NMI PIN DATA    | 1               | —               | —              | NMI POLARITY    | —               | —               |          |
| 07073h to 07077h   | Reserved       |                 |                 |                 |                |                 |                 |                 |          |
| 07078h   | XINT2 FLAG     | —               | —               | —               | —              | —               | —               | —               | XINT2CR  |
|  | —              | XINT2 PIN DATA  | —               | XINT2 DATA DIR  | XINT2 DATA OUT | XINT2 POLARITY  | XINT2 PRIORITY  | XINT2 ENA       |          |
| 07079h   | Reserved       |                 |                 |                 |                |                 |                 |                 |          |



**register file compilation (continued)**

**Table 20. Register File Compilation (Continued)**

| ADDR  | BIT 15     | BIT 14         | BIT 13 | BIT 12         | BIT 11         | BIT 10         | BIT 9          | BIT 8      | REG      |
|---|------------|----------------|--------|----------------|----------------|----------------|----------------|------------|----------|
|   | BIT 7      | BIT 6          | BIT 5  | BIT 4          | BIT 3          | BIT 2          | BIT 1          | BIT 0      |          |
| <b>EXTERNAL INTERRUPT CONTROL REGISTERS (CONTINUED)</b>           |            |                |        |                |                |                |                |            |          |
| 0707Ah  | XINT3 FLAG | —              | —      | —              | —              | —              | —              | —          | XINT3CR  |
|   | —          | XINT3 PIN DATA | —      | XINT3 DATA DIR | XINT3 DATA OUT | XINT3 POLARITY | XINT3 PRIORITY | XINT3 ENA  |          |
| 0707Bh to 0708Fh  | Reserved   |                |        |                |                |                |                |            |          |
| <b>DIGITAL I/O CONTROL REGISTERS</b>                              |            |                |        |                |                |                |                |            |          |
| 07090h  | CRA.15     | CRA.14         | CRA.13 | CRA.12         | CRA.11         | CRA.10         | CRA.9          | CRA.8      | OCRA     |
|   | —          | —              | —      | —              | CRA.3          | CRA.2          | CRA.1          | CRA.0      |          |
| 07091h  | Reserved   |                |        |                |                |                |                |            |          |
| 07092h  | —          | —              | —      | —              | —              | —              | —              | —          | OCRB     |
|   | CRB.7      | CRB.6          | CRB.5  | CRB.4          | CRB.3          | CRB.2          | CRB.1          | CRB.0      |          |
| 07093h to 07097h  | Reserved   |                |        |                |                |                |                |            |          |
| 07098h  | —          | —              | —      | —              | A3DIR          | A2DIR          | A1DIR          | A0DIR      | PADATDIR |
|   | —          | —              | —      | —              | IOPA3          | IOPA2          | IOPA1          | IOPA0      |          |
| 07099h  | Reserved   |                |        |                |                |                |                |            |          |
| 0709Ah  | B7DIR      | B6DIR          | B5DIR  | B4DIR          | B3DIR          | B2DIR          | B1DIR          | B0DIR      | PBDATDIR |
|   | IOPB7      | IOPB6          | IOPB5  | IOPB4          | IOPB3          | IOPB2          | IOPB1          | IOPB0      |          |
| 0709Bh  | Reserved   |                |        |                |                |                |                |            |          |
| 0709Ch  | C7DIR      | C6DIR          | C5DIR  | C4DIR          | C3DIR          | C2DIR          | C1DIR          | C0DIR      | PCDATDIR |
|   | IOPC7      | IOPC6          | IOPC5  | IOPC4          | IOPC3          | IOPC2          | IOPC1          | IOPC0      |          |
| 0709Dh to 073FFh  | Reserved   |                |        |                |                |                |                |            |          |
| <b>GENERAL-PURPOSE (GP) TIMER CONFIGURATION CONTROL REGISTERS</b> |            |                |        |                |                |                |                |            |          |
| 07400h  | T3STAT     | T2STAT         | T1STAT | T3TOADC        |                | T2TOADC        |                | T1TOADC(1) | GPTCON   |
|   | T1TOADC(0) | TCOMPOE        | T3PIN  |                | T2PIN          |                | T1PIN          |            |          |
| 07401h  | D15        | D14            | D13    | D12            | D11            | D10            | D9             | D8         | T1CNT    |
|   | D7         | D6             | D5     | D4             | D3             | D2             | D1             | D0         |          |
| 07402h  | D15        | D14            | D13    | D12            | D11            | D10            | D9             | D8         | T1CMPR   |
|   | D7         | D6             | D5     | D4             | D3             | D2             | D1             | D0         |          |
| 07403h  | D15        | D14            | D13    | D12            | D11            | D10            | D9             | D8         | T1PR     |
|   | D7         | D6             | D5     | D4             | D3             | D2             | D1             | D0         |          |
| 07404h  | FREE       | SOFT           | TMODE2 | TMODE1         | TMODE0         | TPS2           | TPS1           | TPS0       | T1CON    |
|   | TSWT1      | TENABLE        | TCLKS1 | TCLKS0         | TCLD1          | TCLD0          | TECMPR         | SELT1PR    |          |
| 07405h  | D15        | D14            | D13    | D12            | D11            | D10            | D9             | D8         | T2CNT    |
|   | D7         | D6             | D5     | D4             | D3             | D2             | D1             | D0         |          |
| 07406h  | D15        | D14            | D13    | D12            | D11            | D10            | D9             | D8         | T2CMPR   |
|   | D7         | D6             | D5     | D4             | D3             | D2             | D1             | D0         |          |

# TMS320F240 DSP CONTROLLER

SPRS042E – OCTOBER 1996 – REVISED NOVEMBER 2002

## register file compilation (continued)

**Table 20. Register File Compilation (Continued)**

| ADDR  | BIT 15   | BIT 14   | BIT 13         | BIT 12         | BIT 11         | BIT 10         | BIT 9          | BIT 8          | REG    |
|---|----------|----------|----------------|----------------|----------------|----------------|----------------|----------------|--------|
|   | BIT 7    | BIT 6    | BIT 5          | BIT 4          | BIT 3          | BIT 2          | BIT 1          | BIT 0          |        |
| <b>GENERAL-PURPOSE (GP) TIMER CONFIGURATION CONTROL REGISTERS (CONTINUED)</b> |          |          |                |                |                |                |                |                |        |
| 07407h  | D15      | D14      | D13            | D12            | D11            | D10            | D9             | D8             | T2PR   |
|   | D7       | D6       | D5             | D4             | D3             | D2             | D1             | D0             |        |
| 07408h  | FREE     | SOFT     | TMODE2         | TMODE1         | TMODE0         | TPS2           | TPS1           | TPS0           | T2CON  |
|   | TSWT1    | TENABLE  | TCLKS1         | TCLKS0         | TCLD1          | TCLD0          | TECMPR         | SELT1PR        |        |
| 07409h  | D15      | D14      | D13            | D12            | D11            | D10            | D9             | D8             | T3CNT  |
|   | D7       | D6       | D5             | D4             | D3             | D2             | D1             | D0             |        |
| 0740Ah  | D15      | D14      | D13            | D12            | D11            | D10            | D9             | D8             | T3CMPR |
|   | D7       | D6       | D5             | D4             | D3             | D2             | D1             | D0             |        |
| 0740Bh  | D15      | D14      | D13            | D12            | D11            | D10            | D9             | D8             | T3PR   |
|   | D7       | D6       | D5             | D4             | D3             | D2             | D1             | D0             |        |
| 0740Ch  | FREE     | SOFT     | TMODE2         | TMODE1         | TMODE0         | TPS2           | TPS1           | TPS0           | T3CON  |
|   | TSWT1    | TENABLE  | TCLKS1         | TCLKS0         | TCLD1          | TCLD0          | TECMPR         | SELT1PR        |        |
| 0740Dh<br>to<br>07410h  | Reserved |          |                |                |                |                |                |                |        |
| <b>FULL AND SIMPLE COMPARE UNIT REGISTERS</b>                                 |          |          |                |                |                |                |                |                |        |
| 07411h  | CENABLE  | CLD1     | CLD0           | SVENABLE       | ACTRLD1        | ACTRLD0        | FCOMPOE        | SCOMPOE        | COMCON |
|   | SELTMR   | SCLD1    | SCLD0          | SACTRLD1       | SACTRLD0       | SELCMP3        | SELCMP2        | SELCMP1        |        |
| 07412h  | Reserved |          |                |                |                |                |                |                |        |
| 07413h  | SVRDIR   | D2       | D1             | D0             | CMP6ACT1       | CMP6ACT0       | CMP5ACT1       | CMP5ACT0       | ACTR   |
|   | CMP4ACT1 | CMP4ACT0 | CMP3ACT1       | CMP3ACT0       | CMP2ACT1       | CMP2ACT0       | CMP1ACT1       | CMP1ACT0       |        |
| 07414h  | —        | —        | —              | —              | —              | —              | —              | —              | SACTR  |
| 07415h  | —        | —        | SCMP3-<br>ACT1 | SCMP3-<br>ACT0 | SCMP2-<br>ACT1 | SCMP2-<br>ACT0 | SCMP1-<br>ACT1 | SCMP1-<br>ACT0 | SACTR  |
|   | DBT7     | DBT6     | DBT5           | DBT4           | DBT3           | DBT2           | DBT1           | DBT0           |        |
| 07416h  | EDBT3    | EDBT2    | EDBT1          | DBTPS1         | DBTPS0         | —              | —              | —              | DBTCON |
|   | Reserved |          |                |                |                |                |                |                |        |
| 07417h  | D15      | D14      | D13            | D12            | D11            | D10            | D9             | D8             | CMPR1  |
|   | D7       | D6       | D5             | D4             | D3             | D2             | D1             | D0             |        |
| 07418h  | D15      | D14      | D13            | D12            | D11            | D10            | D9             | D8             | CMPR2  |
|   | D7       | D6       | D5             | D4             | D3             | D2             | D1             | D0             |        |
| 07419h  | D15      | D14      | D13            | D12            | D11            | D10            | D9             | D8             | CMPR3  |
|   | D7       | D6       | D5             | D4             | D3             | D2             | D1             | D0             |        |
| 0741Ah  | D15      | D14      | D13            | D12            | D11            | D10            | D9             | D8             | SCMPR1 |
|   | D7       | D6       | D5             | D4             | D3             | D2             | D1             | D0             |        |
| 0741Bh  | D15      | D14      | D13            | D12            | D11            | D10            | D9             | D8             | SCMPR2 |
|   | D7       | D6       | D5             | D4             | D3             | D2             | D1             | D0             |        |
| 0741Ch  | D15      | D14      | D13            | D12            | D11            | D10            | D9             | D8             | SCMPR3 |
|   | D7       | D6       | D5             | D4             | D3             | D2             | D1             | D0             |        |
| 0741Dh<br>to<br>0741Fh  | Reserved |          |                |                |                |                |                |                |        |



**register file compilation (continued)**

**Table 20. Register File Compilation (Continued)**

| ADDR  | BIT 15          | BIT 14           | BIT 13           | BIT 12           | BIT 11          | BIT 10          | BIT 9           | BIT 8           | REG      |
|---|-----------------|------------------|------------------|------------------|-----------------|-----------------|-----------------|-----------------|----------|
|   | BIT 7           | BIT 6            | BIT 5            | BIT 4            | BIT 3           | BIT 2           | BIT 1           | BIT 0           |          |
| <b>CAPTURE UNIT REGISTERS</b>                         |                 |                  |                  |                  |                 |                 |                 |                 |          |
| 07420h  | CAPRES          | CAPQEPN          |                  | CAP3EN           | CAP4EN          | CAP34TSEL       | CAP12TSEL       | CAP4TOADC       | CAPCON   |
|   | CAP1EDGE        |                  | CAP2EDGE         |                  | CAP3EDGE        |                 | CAP4EDGE        |                 |          |
| 07421h  | Reserved        |                  |                  |                  |                 |                 |                 |                 |          |
| 07422h  | CAP4FIFO        |                  | CAP3FIFO         |                  | CAP2FIFO        |                 | CAP1FIFO        |                 | CAPFIFO  |
|   | CAPFIFO15       | CAPFIFO14        | CAPFIFO13        | CAPFIFO12        | CAPFIFO11       | CAPFIFO10       | CAPFIFO9        | CAPFIFO8        |          |
| 07423h  | D15             | D14              | D13              | D12              | D11             | D10             | D9              | D8              | CAP1FIFO |
|   | D7              | D6               | D5               | D4               | D3              | D2              | D1              | D0              |          |
| 07424h  | D15             | D14              | D13              | D12              | D11             | D10             | D9              | D8              | CAP2FIFO |
|   | D7              | D6               | D5               | D4               | D3              | D2              | D1              | D0              |          |
| 07425h  | D15             | D14              | D13              | D12              | D11             | D10             | D9              | D8              | CAP3FIFO |
|   | D7              | D6               | D5               | D4               | D3              | D2              | D1              | D0              |          |
| 07426h  | D15             | D14              | D13              | D12              | D11             | D10             | D9              | D8              | CAP4FIFO |
|   | D7              | D6               | D5               | D4               | D3              | D2              | D1              | D0              |          |
| 07427h<br>to<br>0742Bh                                | Reserved        |                  |                  |                  |                 |                 |                 |                 |          |
| <b>EVENT MANAGER (EV) INTERRUPT CONTROL REGISTERS</b> |                 |                  |                  |                  |                 |                 |                 |                 |          |
| 0742Ch  | —               | —                | —                | —                | —               | T1OFINT<br>ENA  | T1UFINT<br>ENA  | T1CINT<br>ENA   | EVIMRA   |
|   | T1PINT<br>ENA   | SCMP3INT<br>ENA  | SCMP2INT<br>ENA  | SCMP1INT<br>ENA  | CMP3INT<br>ENA  | CMP2INT<br>ENA  | CMP1INT<br>ENA  | PDPINT<br>ENA   |          |
| 0742Dh  | —               | —                | —                | —                | —               | —               | —               | —               | EVIMRB   |
|   | T3OFINT<br>ENA  | T3UFINT<br>ENA   | T3CINT<br>ENA    | T3PINT<br>ENA    | T2OFINT<br>ENA  | T2UFINT<br>ENA  | T2CINT<br>ENA   | T2PINT<br>ENA   |          |
| 0742Eh  | —               | —                | —                | —                | —               | —               | —               | —               | EVIMRC   |
|   | —               | —                | —                | —                | CAP4INT<br>ENA  | CAP3INT<br>ENA  | CAP2INT<br>ENA  | CAP1INT<br>ENA  |          |
| 0742Fh  | —               | —                | —                | —                | —               | T1OFINT<br>FLAG | T1UFINT<br>FLAG | T1CINT<br>FLAG  | EVIFRA   |
|   | T1PINT<br>FLAG  | SCMP3INT<br>FLAG | SCMP2INT<br>FLAG | SCMP1INT<br>FLAG | CMP3INT<br>FLAG | CMP2INT<br>FLAG | CMP1INT<br>FLAG | PDPINT<br>FLAG  |          |
| 07430h  | —               | —                | —                | —                | —               | —               | —               | —               | EVIFRB   |
|   | T3OFINT<br>FLAG | T3UFINT<br>FLAG  | T3CINT<br>FLAG   | T3PINT<br>FLAG   | T2OFINT<br>FLAG | T2UFINT<br>FLAG | T2CINT<br>FLAG  | T2PINT<br>FLAG  |          |
| 07431h  | —               | —                | —                | —                | —               | —               | —               | —               | EVIFRC   |
|   | —               | —                | —                | —                | CAP4INT<br>FLAG | CAP3INT<br>FLAG | CAP2INT<br>FLAG | CAP1INT<br>FLAG |          |
| 07432h  | 0               | 0                | 0                | 0                | 0               | 0               | 0               | 0               | EVIVRA   |
|   | 0               | 0                | D5               | D4               | D3              | D2              | D1              | D0              |          |
| 07433h  | 0               | 0                | 0                | 0                | 0               | 0               | 0               | 0               | EVIVRB   |
|   | 0               | 0                | D5               | D4               | D3              | D2              | D1              | D0              |          |
| 07434h  | 0               | 0                | 0                | 0                | 0               | 0               | 0               | 0               | EVIVRC   |
|   | 0               | 0                | D5               | D4               | D3              | D2              | D1              | D0              |          |
| 07435h<br>to<br>0743Fh                                | Reserved        |                  |                  |                  |                 |                 |                 |                 |          |

# TMS320F240 DSP CONTROLLER

SPRS042E – OCTOBER 1996 – REVISED NOVEMBER 2002

## register file compilation (continued)

**Table 20. Register File Compilation (Continued)**

| ADDR   | BIT 15 | BIT 14 | BIT 13 | BIT 12 | BIT 11 | BIT 10 | BIT 9 | BIT 8 | REG  |
|--|--------|--------|--------|--------|--------|--------|-------|-------|------|
|  | BIT 7  | BIT 6  | BIT 5  | BIT 4  | BIT 3  | BIT 2  | BIT 1 | BIT 0 |      |
| <b>I/O MEMORY SPACE</b>                      |        |        |        |        |        |        |       |       |      |
| <b>FLASH CONTROL MODE REGISTER†</b>          |        |        |        |        |        |        |       |       |      |
| 0FF0Fh                                       | —      | —      | —      | —      | —      | —      | —     | —     | FCMR |
|  | —      | —      | —      | —      | —      | —      | —     | —     |      |
| <b>WAIT-STATE GENERATOR CONTROL REGISTER</b> |        |        |        |        |        |        |       |       |      |
| 0FFFFh                                       | —      | —      | —      | —      | —      | —      | —     | —     | WSGR |
|  | —      | —      | —      | —      | AVIS   | ISWS   | DSWS  | PSWS  |      |

† See the **flash control mode register** section.

**PACKAGING INFORMATION**

| Orderable Device | Status<br>(1) | Package Type | Package Drawing | Pins | Package Qty | Eco Plan<br>(2) | Lead/Ball Finish<br>(6) | MSL Peak Temp<br>(3) | Op Temp (°C) | Device Marking<br>(4/5) | Samples |
|------------------|---------------|--------------|-----------------|------|-------------|-----------------|-------------------------|----------------------|--------------|-------------------------|---------|
| TMS320F240PQ     | OBSOLETE      | BQFP         | PQ              | 132  |             | TBD             | Call TI                 | Call TI              | 0 to 70      | TMS320F240PQ            |         |
| TMS320F240PQA    | OBSOLETE      | BQFP         | PQ              | 132  |             | TBD             | Call TI                 | Call TI              | -40 to 85    | TMS320F240PQA           |         |
| TMS320F240PQS    | OBSOLETE      | BQFP         | PQ              | 132  |             | TBD             | Call TI                 | Call TI              | -40 to 125   | TMS320F240PQS           |         |

(1) The marketing status values are defined as follows:

**ACTIVE:** Product device recommended for new designs.

**LIFEBUY:** TI has announced that the device will be discontinued, and a lifetime-buy period is in effect.

**NRND:** Not recommended for new designs. Device is in production to support existing customers, but TI does not recommend using this part in a new design.

**PREVIEW:** Device has been announced but is not in production. Samples may or may not be available.

**OBSOLETE:** TI has discontinued the production of the device.

(2) Eco Plan - The planned eco-friendly classification: Pb-Free (RoHS), Pb-Free (RoHS Exempt), or Green (RoHS & no Sb/Br) - please check <http://www.ti.com/productcontent> for the latest availability information and additional product content details.

**TBD:** The Pb-Free/Green conversion plan has not been defined.

**Pb-Free (RoHS):** TI's terms "Lead-Free" or "Pb-Free" mean semiconductor products that are compatible with the current RoHS requirements for all 6 substances, including the requirement that lead not exceed 0.1% by weight in homogeneous materials. Where designed to be soldered at high temperatures, TI Pb-Free products are suitable for use in specified lead-free processes.

**Pb-Free (RoHS Exempt):** This component has a RoHS exemption for either 1) lead-based flip-chip solder bumps used between the die and package, or 2) lead-based die adhesive used between the die and leadframe. The component is otherwise considered Pb-Free (RoHS compatible) as defined above.

**Green (RoHS & no Sb/Br):** TI defines "Green" to mean Pb-Free (RoHS compatible), and free of Bromine (Br) and Antimony (Sb) based flame retardants (Br or Sb do not exceed 0.1% by weight in homogeneous material)

(3) MSL, Peak Temp. - The Moisture Sensitivity Level rating according to the JEDEC industry standard classifications, and peak solder temperature.

(4) There may be additional marking, which relates to the logo, the lot trace code information, or the environmental category on the device.

(5) Multiple Device Markings will be inside parentheses. Only one Device Marking contained in parentheses and separated by a "~" will appear on a device. If a line is indented then it is a continuation of the previous line and the two combined represent the entire Device Marking for that device.

(6) Lead/Ball Finish - Orderable Devices may have multiple material finish options. Finish options are separated by a vertical ruled line. Lead/Ball Finish values may wrap to two lines if the finish value exceeds the maximum column width.

**Important Information and Disclaimer:** The information provided on this page represents TI's knowledge and belief as of the date that it is provided. TI bases its knowledge and belief on information provided by third parties, and makes no representation or warranty as to the accuracy of such information. Efforts are underway to better integrate information from third parties. TI has taken and continues to take reasonable steps to provide representative and accurate information but may not have conducted destructive testing or chemical analysis on incoming materials and chemicals. TI and TI suppliers consider certain information to be proprietary, and thus CAS numbers and other limited information may not be available for release.

In no event shall TI's liability arising out of such information exceed the total purchase price of the TI part(s) at issue in this document sold by TI to Customer on an annual basis.

**OTHER QUALIFIED VERSIONS OF TMS320F240 :**

- Military: [SMJ320F240](#)

NOTE: Qualified Version Definitions:

- Military - QML certified for Military and Defense Applications



## IMPORTANT NOTICE

Texas Instruments Incorporated and its subsidiaries (TI) reserve the right to make corrections, enhancements, improvements and other changes to its semiconductor products and services per JESD46, latest issue, and to discontinue any product or service per JESD48, latest issue. Buyers should obtain the latest relevant information before placing orders and should verify that such information is current and complete. All semiconductor products (also referred to herein as "components") are sold subject to TI's terms and conditions of sale supplied at the time of order acknowledgment.

TI warrants performance of its components to the specifications applicable at the time of sale, in accordance with the warranty in TI's terms and conditions of sale of semiconductor products. Testing and other quality control techniques are used to the extent TI deems necessary to support this warranty. Except where mandated by applicable law, testing of all parameters of each component is not necessarily performed.

TI assumes no liability for applications assistance or the design of Buyers' products. Buyers are responsible for their products and applications using TI components. To minimize the risks associated with Buyers' products and applications, Buyers should provide adequate design and operating safeguards.

TI does not warrant or represent that any license, either express or implied, is granted under any patent right, copyright, mask work right, or other intellectual property right relating to any combination, machine, or process in which TI components or services are used. Information published by TI regarding third-party products or services does not constitute a license to use such products or services or a warranty or endorsement thereof. Use of such information may require a license from a third party under the patents or other intellectual property of the third party, or a license from TI under the patents or other intellectual property of TI.

Reproduction of significant portions of TI information in TI data books or data sheets is permissible only if reproduction is without alteration and is accompanied by all associated warranties, conditions, limitations, and notices. TI is not responsible or liable for such altered documentation. Information of third parties may be subject to additional restrictions.

Resale of TI components or services with statements different from or beyond the parameters stated by TI for that component or service voids all express and any implied warranties for the associated TI component or service and is an unfair and deceptive business practice. TI is not responsible or liable for any such statements.

Buyer acknowledges and agrees that it is solely responsible for compliance with all legal, regulatory and safety-related requirements concerning its products, and any use of TI components in its applications, notwithstanding any applications-related information or support that may be provided by TI. Buyer represents and agrees that it has all the necessary expertise to create and implement safeguards which anticipate dangerous consequences of failures, monitor failures and their consequences, lessen the likelihood of failures that might cause harm and take appropriate remedial actions. Buyer will fully indemnify TI and its representatives against any damages arising out of the use of any TI components in safety-critical applications.

In some cases, TI components may be promoted specifically to facilitate safety-related applications. With such components, TI's goal is to help enable customers to design and create their own end-product solutions that meet applicable functional safety standards and requirements. Nonetheless, such components are subject to these terms.

No TI components are authorized for use in FDA Class III (or similar life-critical medical equipment) unless authorized officers of the parties have executed a special agreement specifically governing such use.

Only those TI components which TI has specifically designated as military grade or "enhanced plastic" are designed and intended for use in military/aerospace applications or environments. Buyer acknowledges and agrees that any military or aerospace use of TI components which have **not** been so designated is solely at the Buyer's risk, and that Buyer is solely responsible for compliance with all legal and regulatory requirements in connection with such use.

TI has specifically designated certain components as meeting ISO/TS16949 requirements, mainly for automotive use. In any case of use of non-designated products, TI will not be responsible for any failure to meet ISO/TS16949.

### Products

|                              |  |
|------------------------------|--|
| Audio                        | <a href="http://www.ti.com/audio">www.ti.com/audio</a>                               |
| Amplifiers                   | <a href="http://amplifier.ti.com">amplifier.ti.com</a>                               |
| Data Converters              | <a href="http://dataconverter.ti.com">dataconverter.ti.com</a>                       |
| DLP® Products                | <a href="http://www.dlp.com">www.dlp.com</a>   |
| DSP                          | <a href="http://dsp.ti.com">dsp.ti.com</a>   |
| Clocks and Timers            | <a href="http://www.ti.com/clocks">www.ti.com/clocks</a>                             |
| Interface                    | <a href="http://interface.ti.com">interface.ti.com</a>                               |
| Logic                        | <a href="http://logic.ti.com">logic.ti.com</a>                                       |
| Power Mgmt                   | <a href="http://power.ti.com">power.ti.com</a>                                       |
| Microcontrollers             | <a href="http://microcontroller.ti.com">microcontroller.ti.com</a>                   |
| RFID                         | <a href="http://www.ti-rfid.com">www.ti-rfid.com</a>                                 |
| OMAP Applications Processors | <a href="http://www.ti.com/omap">www.ti.com/omap</a>                                 |
| Wireless Connectivity        | <a href="http://www.ti.com/wirelessconnectivity">www.ti.com/wirelessconnectivity</a> |

### Applications

|                               |  |
|-------------------------------|--|
| Automotive and Transportation | <a href="http://www.ti.com/automotive">www.ti.com/automotive</a>                         |
| Communications and Telecom    | <a href="http://www.ti.com/communications">www.ti.com/communications</a>                 |
| Computers and Peripherals     | <a href="http://www.ti.com/computers">www.ti.com/computers</a>                           |
| Consumer Electronics          | <a href="http://www.ti.com/consumer-apps">www.ti.com/consumer-apps</a>                   |
| Energy and Lighting           | <a href="http://www.ti.com/energy">www.ti.com/energy</a>                                 |
| Industrial                    | <a href="http://www.ti.com/industrial">www.ti.com/industrial</a>                         |
| Medical                       | <a href="http://www.ti.com/medical">www.ti.com/medical</a>                               |
| Security                      | <a href="http://www.ti.com/security">www.ti.com/security</a>                             |
| Space, Avionics and Defense   | <a href="http://www.ti.com/space-avionics-defense">www.ti.com/space-avionics-defense</a> |
| Video and Imaging             | <a href="http://www.ti.com/video">www.ti.com/video</a>                                   |

### TI E2E Community

[e2e.ti.com](http://e2e.ti.com)