

RESISTORS



DYNAMIC BRAKING RESISTORS | KABR Series (Series 2)

KABR Series are braking resistors in an Aluminium housing. These resistors are low priced and small in size. Power dissipation upto 5000W is available as a standard catalogue part. Please refer to KABR series 1 for upto 1000W. Higher wattages can be designed on request.

This series is RoHS compliant



Optional Features

1. Thermal cut out can be included on request
2. Vertical mounting style can be provided
3. Non Inductive elements can be used
4. Termination styles can be with UL approved Cable or Flat terminals for screw fixing

General Specifications

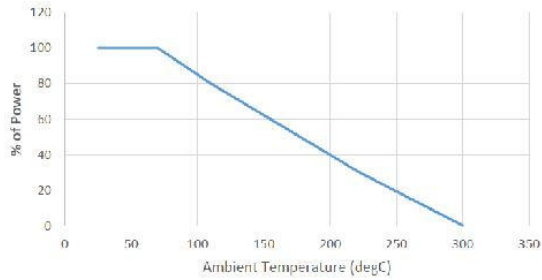
Change in R value if applicable		
Temperature Range	-55 °c to 200 °c	
Insulation Resistance	> 1000MΩ at 500V	
Dielectric Strength	No breakdown at 3KVac RMS	
Temperature Coefficient	± 200 ppm/°c	
Short time overload	10 times rated wattage for 5 sec	± (2% + 0.05Ω)
Load life	500 hours (1.5 hours On/0.5 hours Off) at rated power	± (5% + 0.05Ω)
Humidity	40°c, 90% RH, 240 hours	± (3% + 0.05Ω)

RESISTORS INDIA

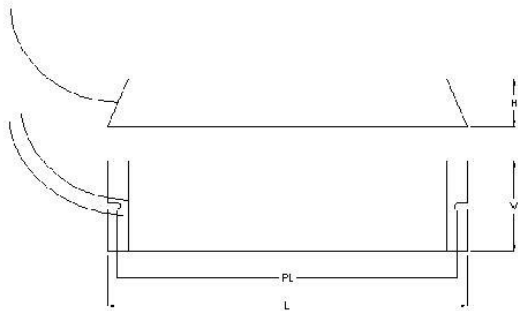


Specifications

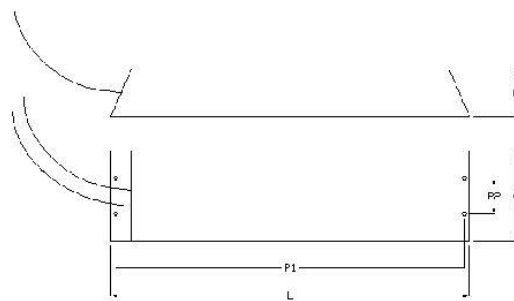
De-rating Curve



Mechanical Details



KABR1250, KABR1500



KABR2000 - 5000

Series	Rated power on Heatsink (W)	Rated power without heatsink (W)	Resistance value range (Ω)	Dimensions (mm)					
				L ±1	W ±1	H ±1	P1 ±0.5	P2 ±0.5	Mounting Detail ±0.5
KABR1250	1250	550	2 – 2K	400	67	38	385	NA	7x10 Slot
KABR1500	1500	700	6 – 2K	495	67	38	480	NA	7x10 Slot
KABR2000	2000	800	10 – 1K	400	103	52	390	40	Dia 6 hole
KABR3000	3000	1100	10 – 1K2	400	103	52	390	40	Dia 6 hole
KABR4000	4000	1400	18 – 1K8	450	103	52	440	40	Dia 6 hole
KABR5000	5000	1800	20 – 2K2	550	103	52	540	40	Dia 6 hole