

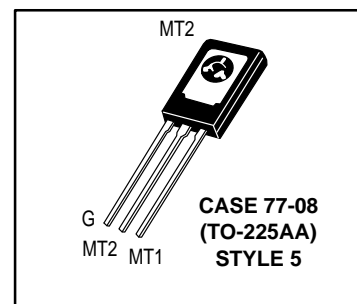
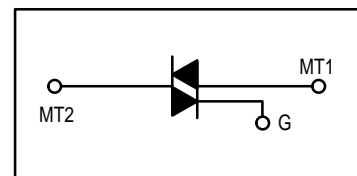
## Sensitive Gate Triacs Silicon Bidirectional Thyristors

... designed primarily for full-wave ac control applications, such as light dimmers, motor controls, heating controls and power supplies; or wherever full-wave silicon gate controlled solid-state devices are needed. Triac type thyristors switch from a blocking to a conducting state for either polarity of applied anode voltage with positive or negative gate triggering.

- Sensitive Gate Triggering (A and B versions) Uniquely Compatible for Direct Coupling to TTL, HTL, CMOS and Operational Amplifier Integrated Circuit Logic Functions
- Gate Triggering 2 Mode — 2N6071, 2N6073, 2N6075  
4 Mode — 2N6071,A,B, 2N6073,A,B, 2N6075,A,B
- Blocking Voltages to 600 Volts
- All Diffused and Glass Passivated Junctions for Greater Parameter Uniformity and Stability
- Small, Rugged, Thermopad Construction for Low Thermal Resistance, High Heat Dissipation and Durability

**2N6071,A,B\***  
**2N6073,A,B\***  
**2N6075,A,B\***  
\*Motorola preferred devices

**TRIACs**  
**4 AMPERES RMS**  
**200 thru 600 VOLTS**



### MAXIMUM RATINGS (T<sub>J</sub> = 25°C unless otherwise noted.)

Rating	Symbol	Value	Unit
*Peak Repetitive Off-State Voltage <sup>(1)</sup> (Gate Open, T <sub>J</sub> = 25 to 110°C)	V <sub>DRM</sub>	200 400 600	Volts
*On-State Current RMS (T <sub>C</sub> = 85°C)	I <sub>T(RMS)</sub>	4	Amps
*Peak Surge Current (One Full cycle, 60 Hz, T <sub>J</sub> = -40 to +110°C)	I <sub>TSM</sub>	30	Amps
Circuit Fusing Considerations (t = 8.3 ms)	I <sup>2</sup> t	3.7	A <sup>2</sup> s
*Peak Gate Power	P <sub>GM</sub>	10	Watts
*Average Gate Power	P <sub>G(AV)</sub>	0.5	Watt
*Peak Gate Voltage	V <sub>GM</sub>	5	Volts

\*Indicates JEDEC Registered Data.

1. V<sub>DRM</sub> for all types can be applied on a continuous basis. Blocking voltages shall not be tested with a constant current source such that the voltage ratings of the devices are exceeded.

**Preferred** devices are Motorola recommended choices for future use and best overall value.

## 2N6071,A,B 2N6073,A,B 2N6075,A,B

### MAXIMUM RATINGS

Rating	Symbol	Value	Unit
*Operating Junction Temperature Range	$T_J$	-40 to +110	°C
*Storage Temperature Range	$T_{stg}$	-40 to +150	°C
Mounting Torque (6-32 Screw) <sup>(1)</sup>	—	8	in. lb.

\*Indicates JEDEC Registered Data.

- Torque rating applies with use of compression washer (B52200F006). Mounting torque in excess of 6 in. lb. does not appreciably lower case-to-sink thermal resistance. Main terminal 2 and heatsink contact pad are common.  
For soldering purposes (either terminal connection or device mounting), soldering temperatures shall not exceed +200°C, for 10 seconds. Consult factory for lead bending options.

### THERMAL CHARACTERISTICS

Characteristic	Symbol	Max	Unit
*Thermal Resistance, Junction to Case	$R_{\theta JC}$	3.5	°C/W
Thermal Resistance, Junction to Ambient	$R_{\theta JA}$	75	°C/W

\*Indicates JEDEC Registered Data.

### ELECTRICAL CHARACTERISTICS ( $T_C = 25^\circ\text{C}$ unless otherwise noted.)

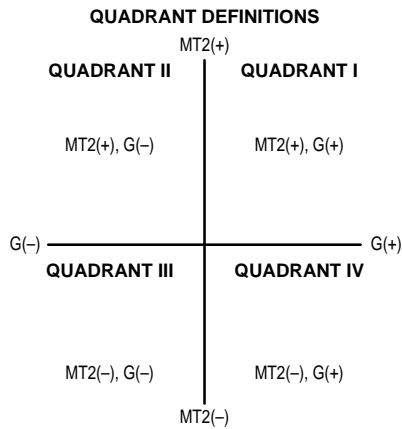
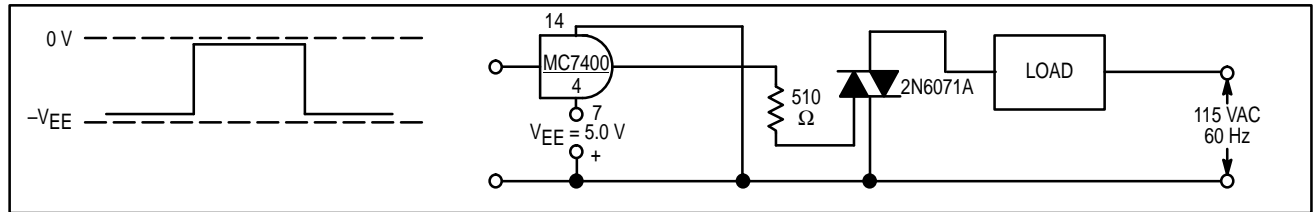
Characteristic	Symbol	Min	Typ	Max	Unit
*Peak Blocking Current ( $V_D = \text{Rated } V_{DRM}$ , gate open, $T_J = 25^\circ\text{C}$ ) ( $T_J = 110^\circ\text{C}$ )	$I_{DRM}$	— —	— —	10 2	$\mu\text{A}$ mA
*On-State Voltage (Either Direction) ( $I_{TM} = 6 \text{ A Peak}$ )	$V_{TM}$	—	—	2	Volts
*Peak Gate Trigger Voltage (Continuous dc) (Main Terminal Voltage = 12 Vdc, $R_L = 100 \text{ Ohms}$ , $T_J = -40^\circ\text{C}$ ) MT2(+), G(+); MT2(-), G(-) All Types MT2(+), G(-); MT2(-), G(+) 2N6071,A,B, 2N6073,A,B 2N6075,A,B (Main Terminal Voltage = Rated $V_{DRM}$ , $R_L = 10 \text{ k ohms}$ , $T_J = 110^\circ\text{C}$ ) MT2(+), G(+); MT2(-), G(-) All Types MT2(+), G(-); MT2(-), G(+) 2N6071,A,B, 2N6073,A,B, 2N6075,A,B	$V_{GT}$	— — 0.2 0.2	— 1.4 1.4 —	— 2.5 2.5 —	Volts
*Holding Current (Either Direction) (Main Terminal Voltage = 12 Vdc, Gate Open, $T_J = -40^\circ\text{C}$ ) (Initiating Current = 1 Adc) 2N6071, 2N6073, 2N6075, 2N6071A,B, 2N6073A,B, 2N6075A,B ( $T_J = 25^\circ\text{C}$ ) 2N6071, 2N6073, 2N6075 2N6071A,B, 2N6073A,B, 2N6075A,B	$I_H$	— — — —	— — — —	70 30 30 15	mA
Turn-On Time (Either Direction) ( $I_{TM} = 14 \text{ Adc}$ , $I_{GT} = 100 \text{ mAdc}$ )	$t_{on}$	—	1.5	—	$\mu\text{s}$
Blocking Voltage Application Rate at Commutation @ $V_{DRM}$ , $T_J = 85^\circ\text{C}$ , Gate Open, $I_{TM} = 5.7 \text{ A}$ , Commutating $di/dt = 2.0 \text{ A/ms}$	$dv/dt(c)$	—	5	—	V/ $\mu\text{s}$

\*Indicates JEDEC Registered Data.

			QUADRANT (See Definition Below)					
			Type	I <sub>GT</sub> @ T <sub>J</sub>	I mA	II mA	III mA	IV mA
Gate Trigger Current (Continuous dc) (Main Terminal Voltage = 12 Vdc, R <sub>L</sub> = 100 ohms)	Maximum Value	2N6071 2N6073 2N6075	+25°C	30	—	30	—	
			-40°C	60	—	60	—	
		2N6071A 2N6073A 2N6075A	+25°C	5	5	5	10	
			-40°C	20	20	20	30	
		2N6071B 2N6073B 2N6075B	+25°C	3	3	3	5	
			-40°C	15	15	15	20	

\*Indicates JEDEC Registered Data.

**SAMPLE APPLICATION:  
TTL-SENSITIVE GATE 4 AMPERE TRIAC  
TRIGGERS IN MODES II AND III**



Trigger devices are recommended for gating on Triacs. They provide:

1. Consistent predictable turn-on points.
2. Simplified circuitry.
3. Fast turn-on time for cooler, more efficient and reliable operation.

**For 2N6071, 2N6073, 2N6075**

**ELECTRICAL CHARACTERISTICS of RECOMMENDED  
BIDIRECTIONAL SWITCHES**

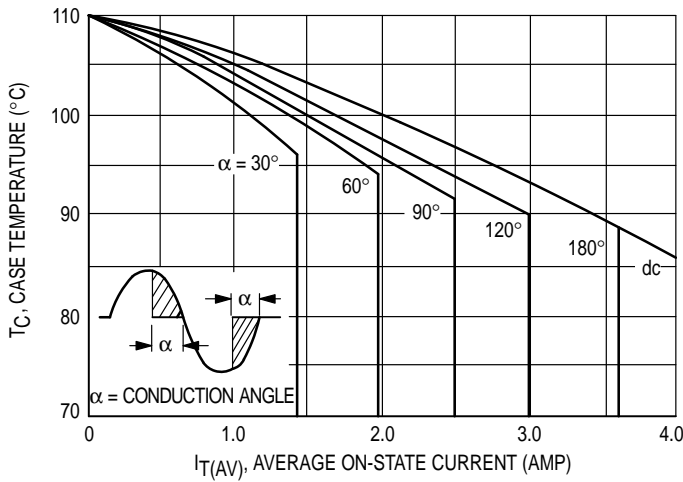
Usage	General		Lamp Dimmer
Part Number	MBS4991	MBS4993	MBS100
V <sub>S</sub>	6.0 – 10 V	7.5 – 9.0 V	3.0 – 5.0 V
I <sub>S</sub>	350 μA Max	250 μA Max	100 – 400 μA
V <sub>S1</sub> – V <sub>S2</sub>	0.5 V Max	0.2 V Max	0.35 V Max
Temperature Coefficient	0.02%/°C Typ		

**SENSITIVE GATE LOGIC REFERENCE**

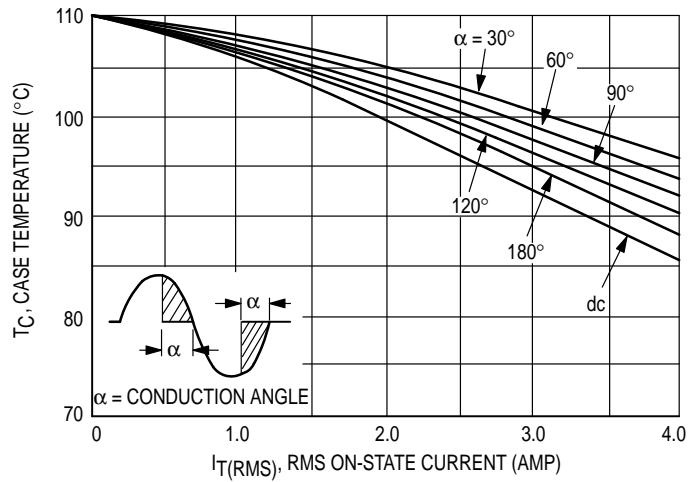
IC Logic Functions	Firing Quadrant			
	I	II	III	IV
TTL		2N6071A Series	2N6071A Series	
HTL		2N6071A Series	2N6071A Series	
CMOS (NAND)	2N6071B Series			2N6071B Series
CMOS (Buffer)		2N6071B Series	2N6071B Series	
Operational Amplifier	2N6071A Series			2N6071A Series
Zero Voltage Switch		2N6071A Series	2N6071A Series	

**2N6071,A,B 2N6073,A,B 2N6075,A,B**

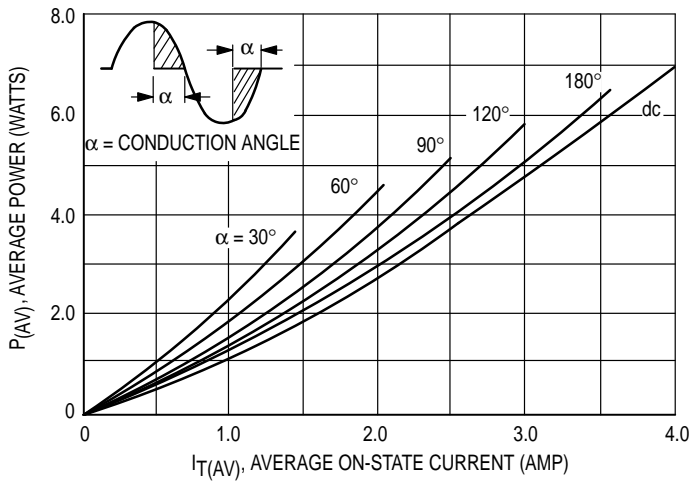
**FIGURE 1 – AVERAGE CURRENT DERATING**



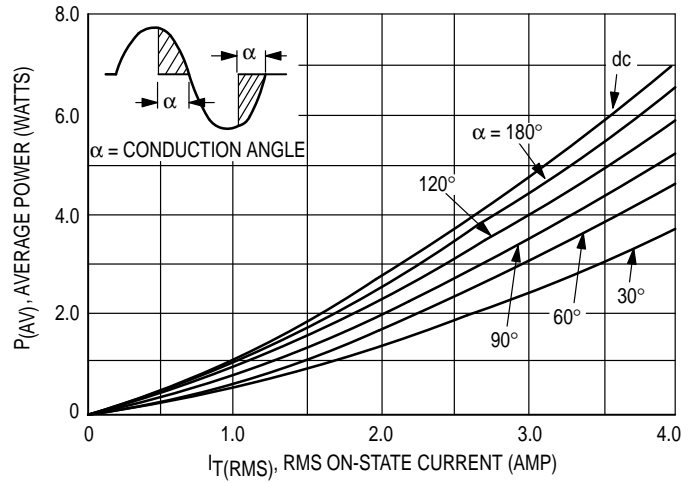
**FIGURE 2 – RMS CURRENT DERATING**



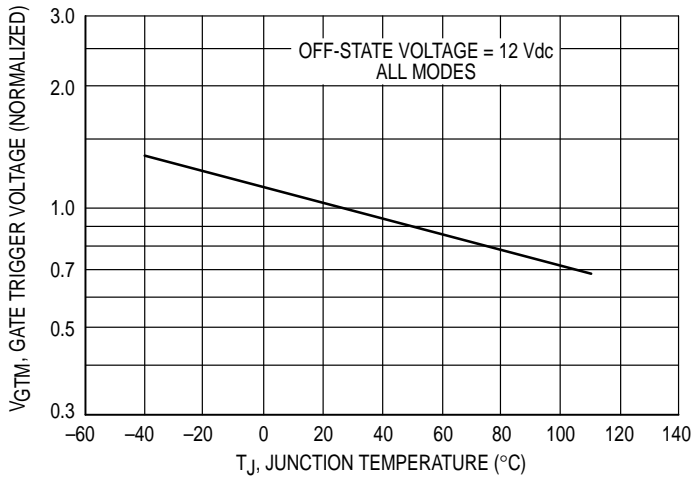
**FIGURE 3 – POWER DISSIPATION**



**FIGURE 4 – POWER DISSIPATION**



**FIGURE 5 – TYPICAL GATE-TRIGGER VOLTAGE**



**FIGURE 6 – TYPICAL GATE-TRIGGER CURRENT**

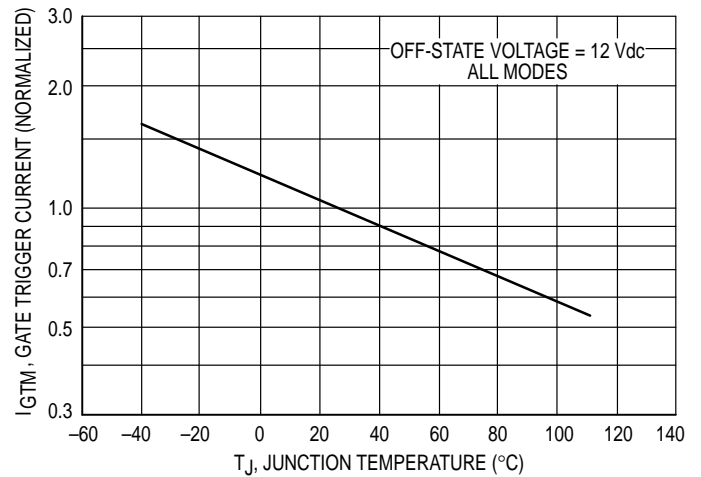


FIGURE 7 – MAXIMUM ON-STATE CHARACTERISTICS

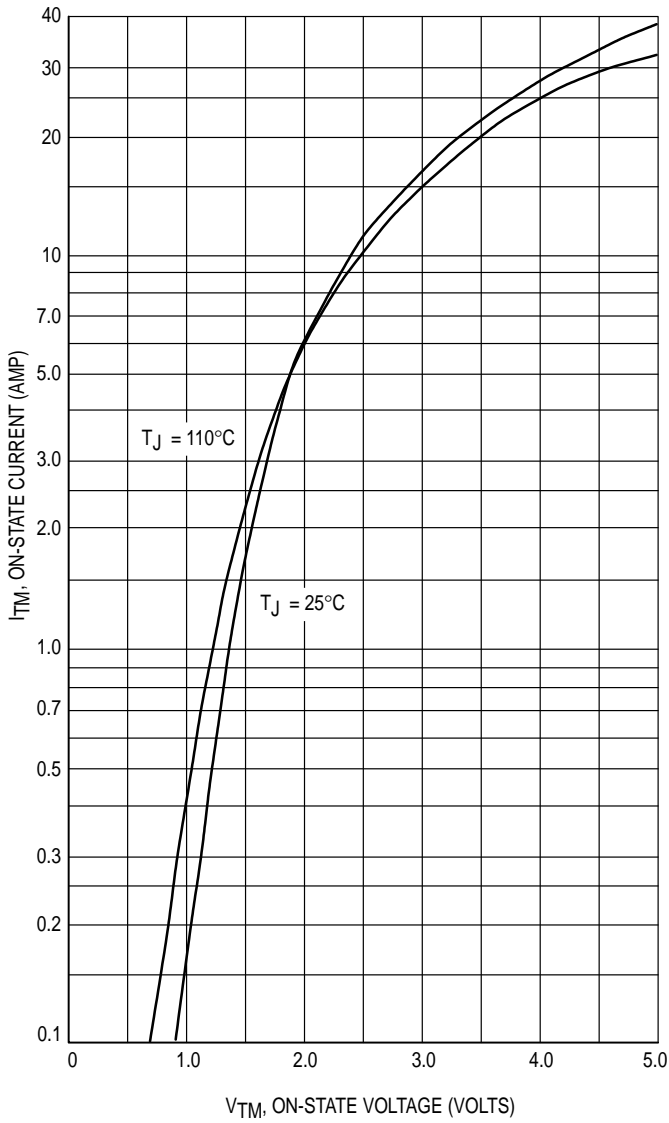


FIGURE 8 – TYPICAL HOLDING CURRENT

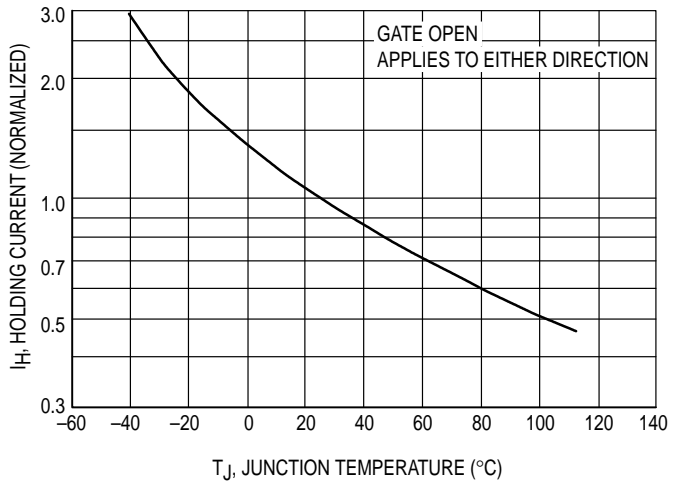


FIGURE 9 – MAXIMUM ALLOWABLE SURGE CURRENT

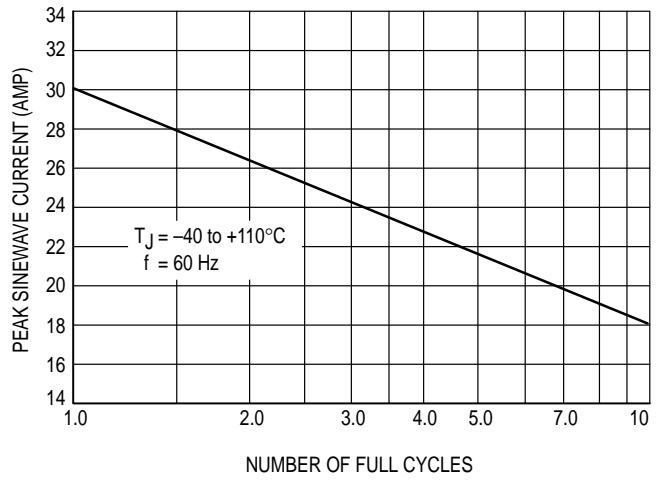
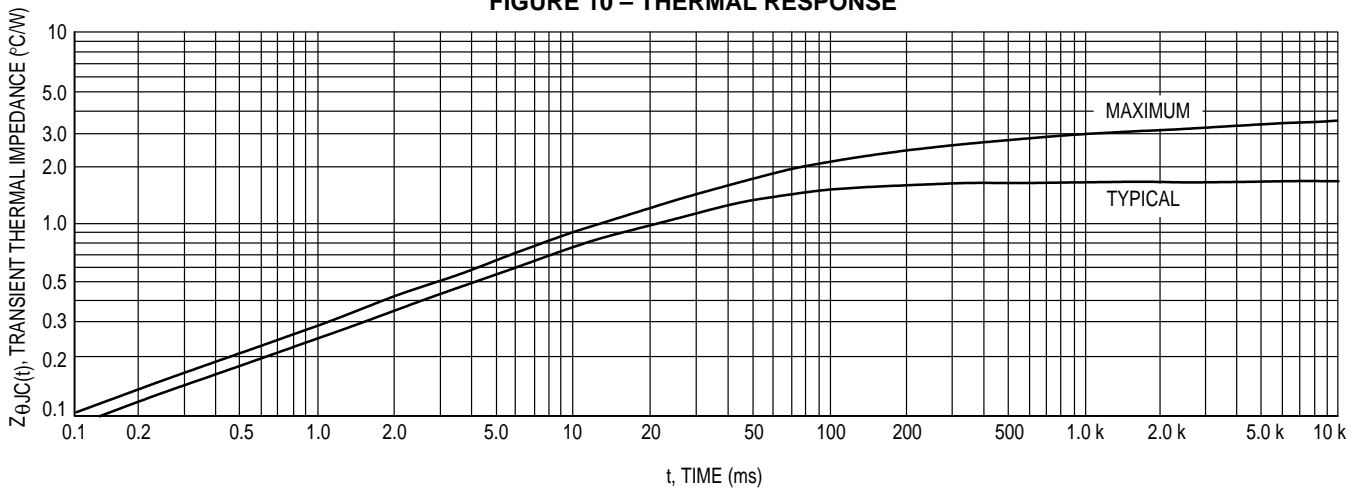
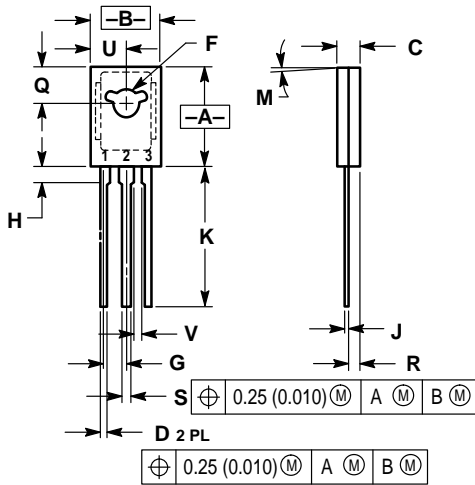


FIGURE 10 – THERMAL RESPONSE



**2N6071,A,B 2N6073,A,B 2N6075,A,B**

**PACKAGE DIMENSIONS**



STYLE 5:  
PIN 1. MT 1  
2. MT 2  
3. GATE

- NOTES:  
1. DIMENSIONING AND TOLERANCING PER ANSI Y14.5M, 1982.  
2. CONTROLLING DIMENSION: INCH.

DIM	INCHES		MILLIMETERS	
	MIN	MAX	MIN	MAX
A	0.425	0.435	10.80	11.04
B	0.295	0.305	7.50	7.74
C	0.095	0.105	2.42	2.66
D	0.020	0.026	0.51	0.66
F	0.115	0.130	2.93	3.30
G	0.094 BSC		2.39 BSC	
H	0.050	0.095	1.27	2.41
J	0.015	0.025	0.39	0.63
K	0.575	0.655	14.61	16.63
M	5° TYP		5° TYP	
Q	0.148	0.158	3.76	4.01
R	0.045	0.055	1.15	1.39
S	0.025	0.035	0.64	0.88
U	0.145	0.155	3.69	3.93
V	0.040	—	1.02	—

**CASE 77-08  
(TO-225AA)**

Motorola reserves the right to make changes without further notice to any products herein. Motorola makes no warranty, representation or guarantee regarding the suitability of its products for any particular purpose, nor does Motorola assume any liability arising out of the application or use of any product or circuit, and specifically disclaims any and all liability, including without limitation consequential or incidental damages. "Typical" parameters can and do vary in different applications. All operating parameters, including "Typicals" must be validated for each customer application by customer's technical experts. Motorola does not convey any license under its patent rights nor the rights of others. Motorola products are not designed, intended, or authorized for use as components in systems intended for surgical implant into the body, or other applications intended to support or sustain life, or for any other application in which the failure of the Motorola product could create a situation where personal injury or death may occur. Should Buyer purchase or use Motorola products for any such unintended or unauthorized application, Buyer shall indemnify and hold Motorola and its officers, employees, subsidiaries, affiliates, and distributors harmless against all claims, costs, damages, and expenses, and reasonable attorney fees arising out of, directly or indirectly, any claim of personal injury or death associated with such unintended or unauthorized use, even if such claim alleges that Motorola was negligent regarding the design or manufacture of the part. Motorola and are registered trademarks of Motorola, Inc. Motorola, Inc. is an Equal Opportunity/Affirmative Action Employer.

**Literature Distribution Centers:**

USA: Motorola Literature Distribution; P.O. Box 20912; Phoenix, Arizona 85036.  
EUROPE: Motorola Ltd.; European Literature Centre; 88 Tanners Drive, Blakelands, Milton Keynes, MK14 5BP, England.  
JAPAN: Nippon Motorola Ltd.; 4-32-1, Nishi-Gotanda, Shinagawa-ku, Tokyo 141, Japan.  
ASIA PACIFIC: Motorola Semiconductors H.K. Ltd.; Silicon Harbour Center, No. 2 Dai King Street, Tai Po Industrial Estate, Tai Po, N.T., Hong Kong.



2N6071/D

